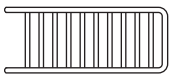


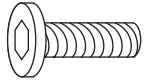




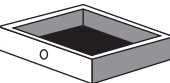

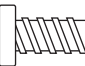
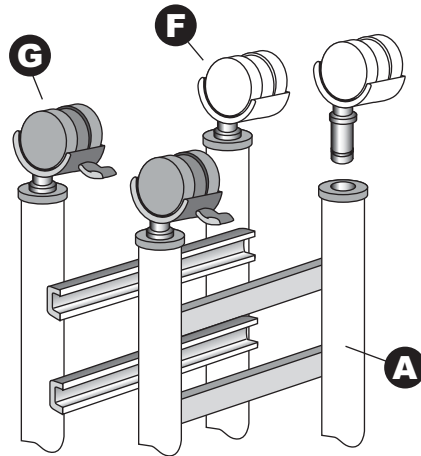


CODE	PARTS	QTY
34A	 FRAME	2
34B	 CROSSBAR	4
34C	 CROSSBAR SPACER	8
34D	 HEX SCREWS	8
34E	 HEX WRENCH	1
34F	 CASTER	2
34G	 LOCKING CASTER	2
34H	 TOP PLATE	1
34I	 DRAWER	10
34J	 KNOB	10
34K	 KNOB SCREW	10

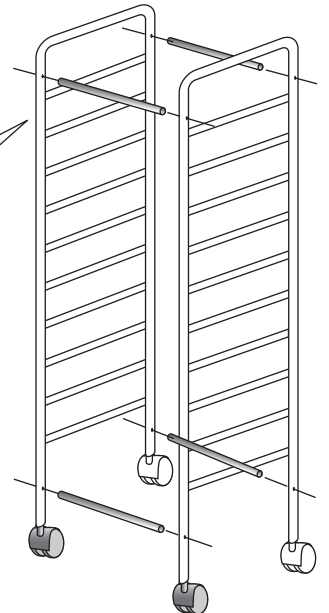
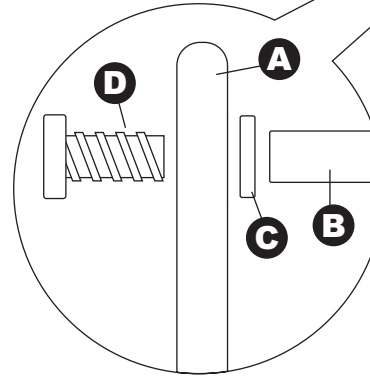
### STEP 1

a. Make sure Drawer Rails on Frames (A) are facing each other. Snap Locking Casters (G) into same end of each Frame.  
b. Snap non-locking Casters (F) into Frames.



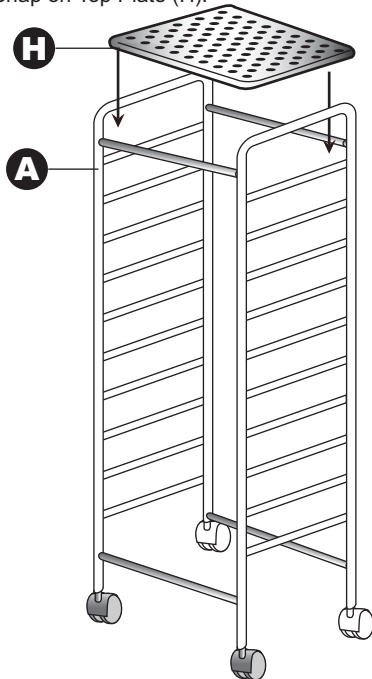
### STEP 2

a. Attach 4 Crossbars (B) to 1 Frame (A) using the 4 Crossbar Spacers (C) and 4 Hex Screws (D). Make sure curved side of Spacers faces Frame. Do not fully tighten screws.  
b. Attach 2nd Frame to 4 Crossbars following instructions as above.  
c. Fully tighten all 8 screws.



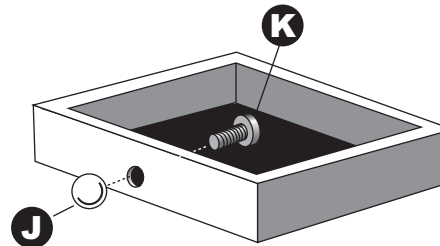
### STEP 3

a. Snap on Top Plate (H).



### STEP 4

a. Attach 10 Knobs (J) to 10 Drawers (I) with 10 Knob Screws (K).



### STEP 5

a. Insert Drawers into rails.

