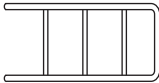
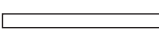

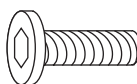




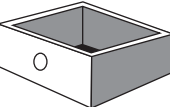

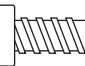
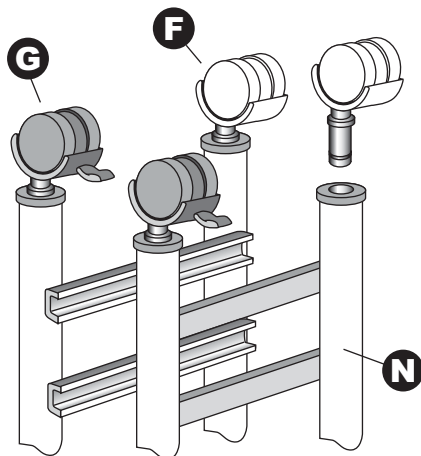


CODE	PARTS		QTY
34N		FRAME	2
34B		CROSSBAR	4
34C		CROSSBAR SPACER	8
34D		HEX SCREWS	8
34E		HEX WRENCH	1
34F		CASTER	2
34G		LOCKING CASTER	2
34H		TOP PLATE	1
34I		DRAWER	3
34J		KNOB	3
34K		KNOB SCREW	3

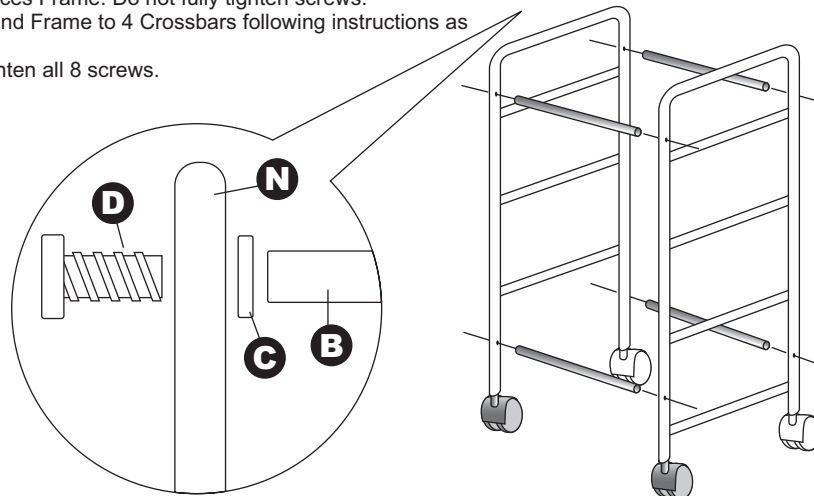
STEP 1

a. Make sure Drawer Rails on Frames (N) are facing each other. Snap Locking Casters (G) into same end of each Frame.
b. Snap non-locking Casters (F) into Frames.



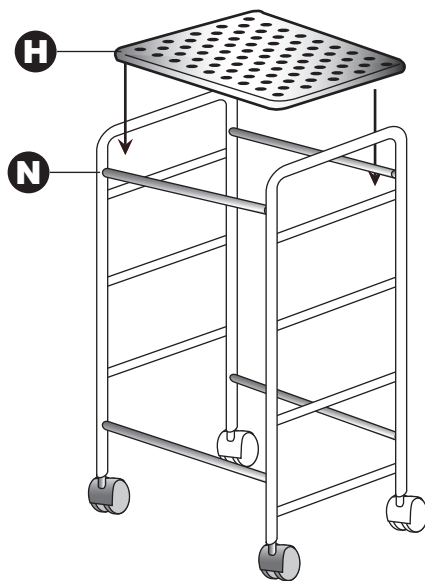
STEP 2

a. Attach 4 Crossbars (B) to 1 Frame (N) using the 4 Crossbar Spacers (C) and 4 Hex Screws (D). Make sure curved side of Spacers faces Frame. Do not fully tighten screws.
b. Attach 2nd Frame to 4 Crossbars following instructions as above.
c. Fully tighten all 8 screws.



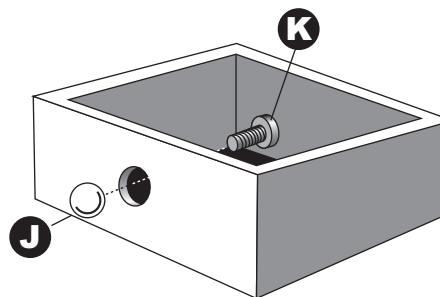
STEP 3

a. Snap on Top Plate (H).



STEP 4

a. Attach 3 Knobs (J) to 3 Drawers (I) with 3 Knob Screws (K).



STEP 5

a. Insert Drawers into rails.

