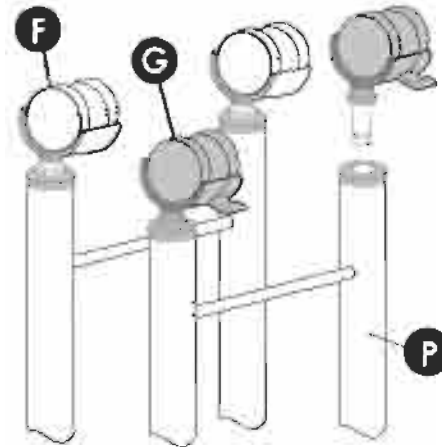




Code	PARTS		Qty
P		FRAME	2
Q		CROSSBAR	2
R		FILE HANGER CROSSBAR	1
D		HEX SCREWS	8
E		HEX WRENCH	1
F		CASTER	2
G		LOCKING CASTER	2
S		BOTTOM PLATE	1
T		SIDE PLATE	2

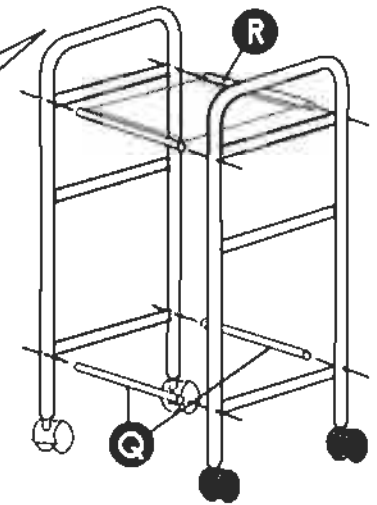
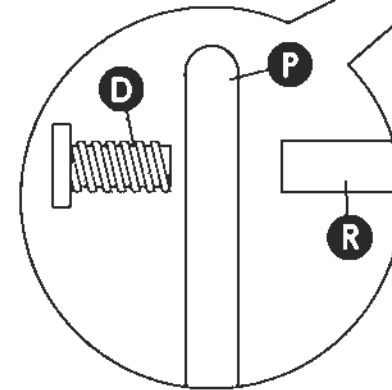
STEP 1

- Snap locking casters (G) into one frame (P).
- Snap non-locking casters (F) into other frame (P).



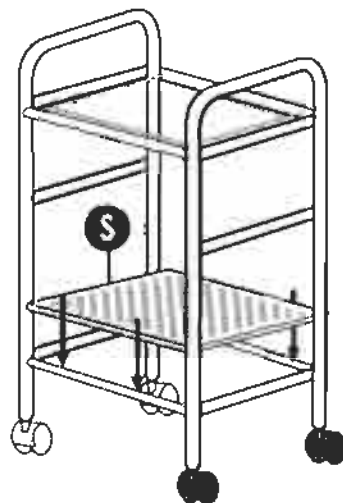
STEP 2

- Attach 2 crossbars (Q) and one side of file hanger crossbar (R) to 1 frame (P) using 4 hex screws (D). Do not fully tighten screws.
- Attach 2nd frame (P) to crossbars following instructions as above.
- Fully tighten all 8 screws.



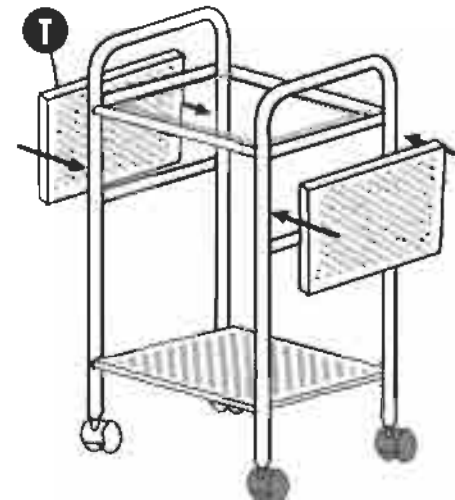
STEP 3

- Snap on bottom plate (S).



STEP 4

- Snap on side plates (T).



STEP 5

- Hang files according to size.

