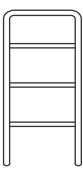

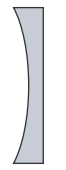
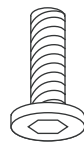
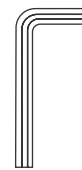
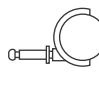


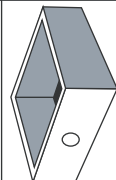

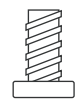
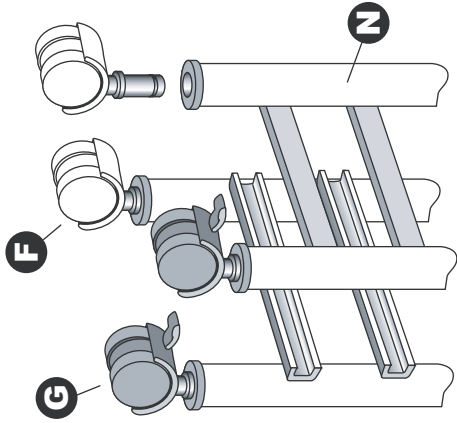


CODE	PARTS	QTY
34N	 FRAME	2
34B	 CROSSBAR	4
34C	 CROSSBAR SPACER	8
34D	 HEX SCREWS	8
34E	 HEX WRENCH	1
34F	 CASTER	2
34G	 LOCKING CASTER	2
34H	 TOP PLATE	1
34I	 DRAWER	3
34J	 KNOB	3
34K	 KNOB SCREW	3

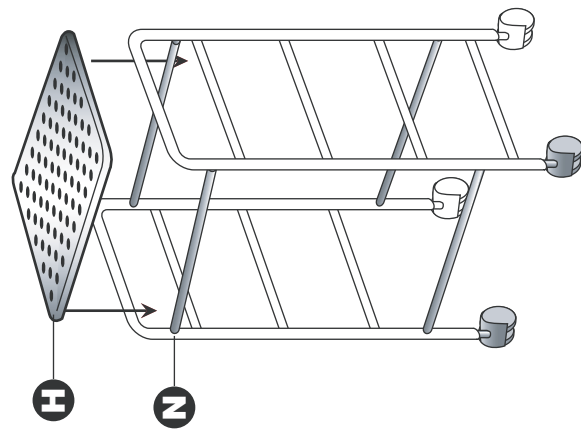
STEP 1

- a. Make sure Drawer Rails on Frames (N) are facing each other. Snap Locking Casters (G) into same end of each Frame.
- b. Snap non-locking Casters (F) into Frames.



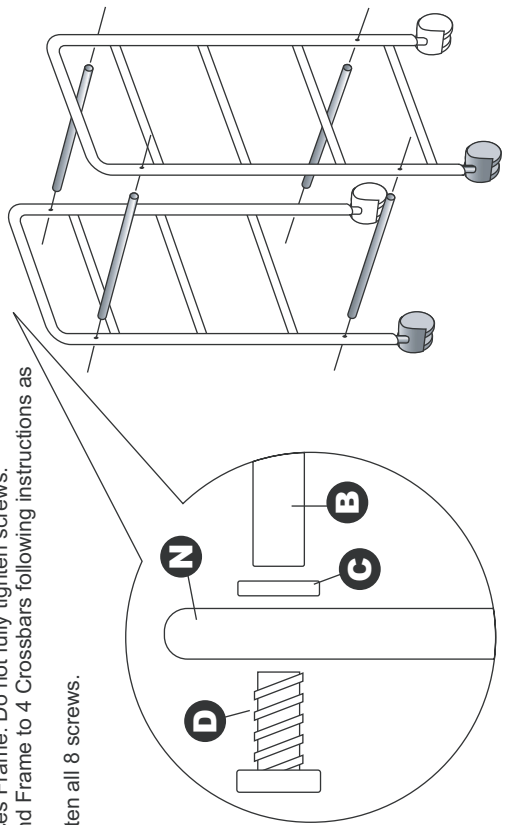
STEP 3

- a. Snap on Top Plate (H).



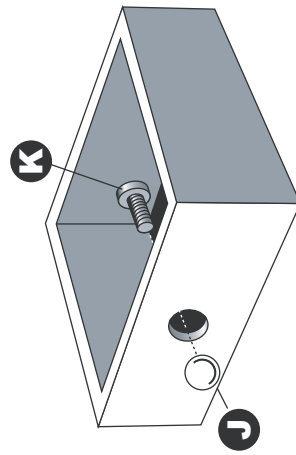
STEP 2

- a. Attach 4 Crossbars (B) to 1 Frame (N) using the 4 Crossbar Spacers (C) and 4 Hex Screws (D). Make sure curved side of Spacers faces Frame. Do not fully tighten screws.
- b. Attach 2nd Frame to 4 Crossbars following instructions as above.
- c. Fully tighten all 8 screws.



STEP 4

- a. Attach 3 Knobs (J) to 3 Drawers (I) with 3 Knob Screws (K).



STEP 5

- a. Insert Drawers into rails.

