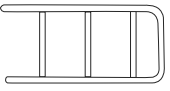
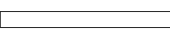
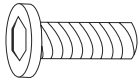


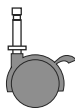

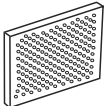
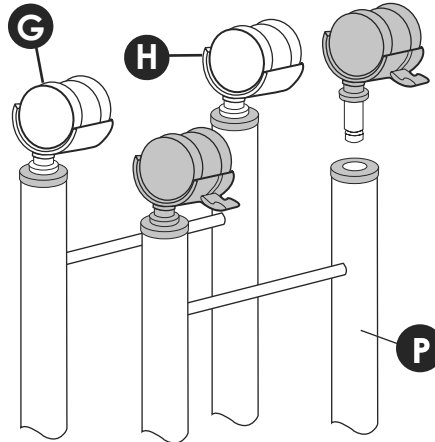


| Code | PARTS   |                | QTY |
|------|---|----------------|-----|
| P    |    | FRAME          | 2   |
| Q    |    | CROSSBAR       | 7   |
| D    |    | HEX SCREWS     | 14  |
| E    |    | HEX WRENCH     | 1   |
| F    |    | CASTER         | 2   |
| G    |  | LOCKING CASTER | 2   |
| S    |  | SHELF PLATE    | 2   |
| T    |  | SIDE PLATE     | 2   |

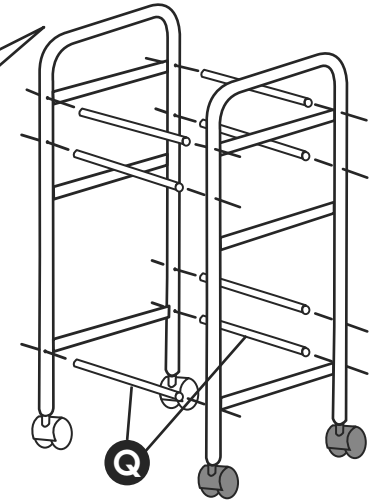
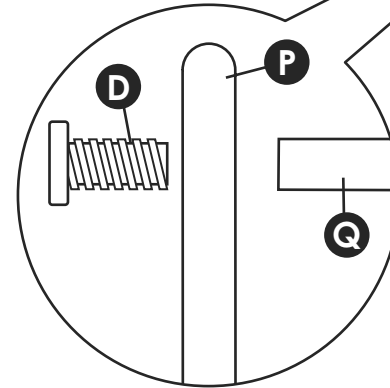
### STEP 1

- Make sure drawer rails on frames (P) are facing each other. Snap locking casters (G) into same end of each Frame.
- Snap non-locking casters (F) into frames.



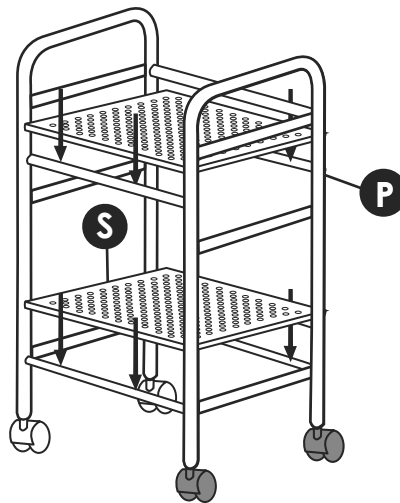
### STEP 2

- Attach crossbars (Q) to 1 frame (P) using hex screws (D). Do not fully tighten screws.
- Attach 2nd frame (P) to crossbars following instructions as above.
- Fully tighten all 14 screws.



### STEP 3

- Snap on shelf plate (S).



### STEP 4

- Snap on side plates (T).

