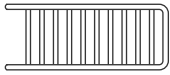
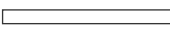
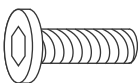
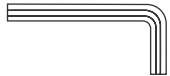
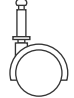


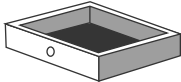

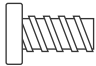
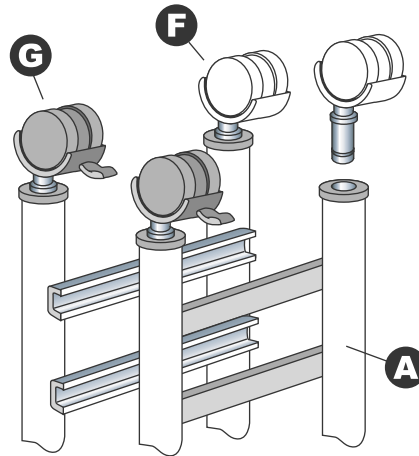


CODE	PARTS		QTY
34A		FRAME	2
34B		CROSSBAR	4
34D		HEX SCREWS	8
34E		HEX WRENCH	1
34F		CASTER	2
34G		LOCKING CASTER	2
34H		TOP PLATE	1
34I		DRAWER	10
34J		KNOB	10
34K		KNOB SCREW	10

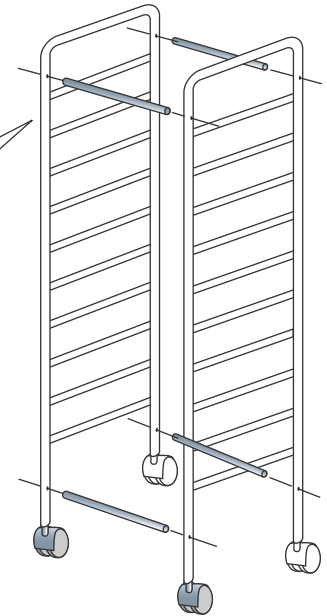
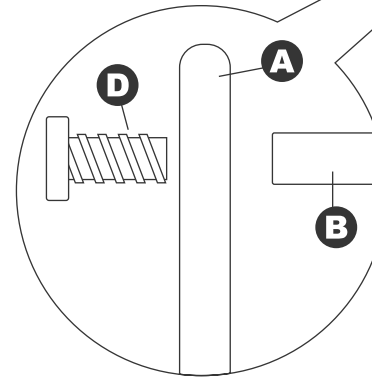
STEP 1

- Make sure Drawer Rails on Frames (A) are facing each other. Snap Locking Casters (G) into same end of each Frame.
- Snap non-locking Casters (F) into Frames.



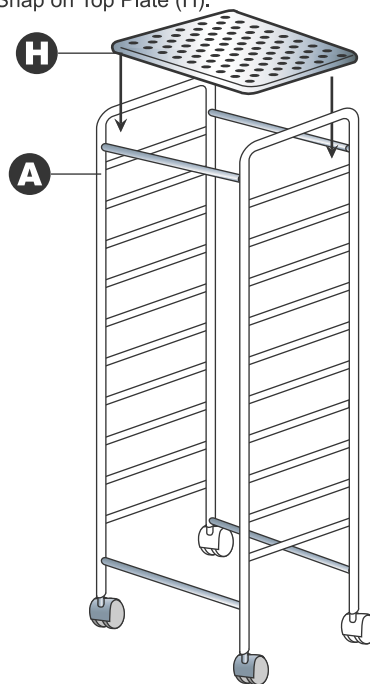
STEP 2

- Attach 4 Crossbars (B) to 1 Frame (A) using 4 Hex Screws (D). Do not fully tighten screws.
- Attach 2nd Frame to 4 Crossbars following instructions as above.
- Fully tighten all 8 screws.



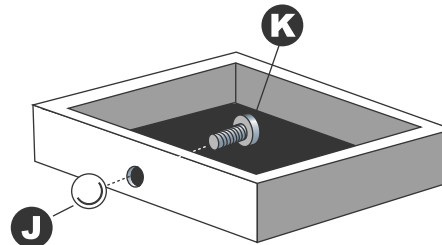
STEP 3

- Snap on Top Plate (H).



STEP 4

- Attach 10 Knobs (J) to 10 Drawers (I) with 10 Knob Screws (K).



STEP 5

- Insert Drawers into rails.

