

## Operating Instructions and Parts Manual

Please read and save these instructions. Read through this owner's manual carefully before using product. Protect yourself and others by observing all safety information, warnings, and cautions. Failure to comply with instructions could result in personal injury and/or damage to product or property. Please retain instructions for future reference.

### Description

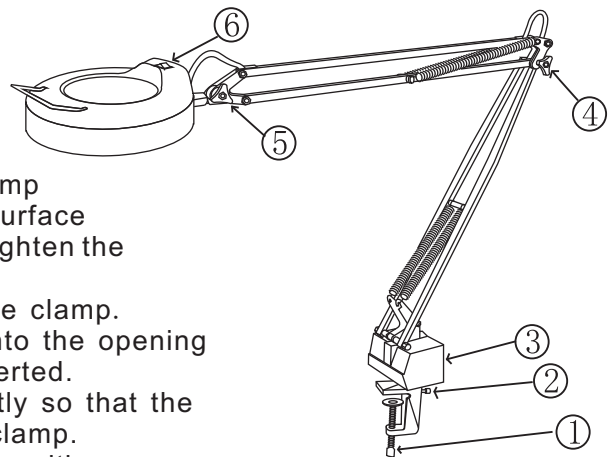
Round Magnifier Light

#### **▲ WARNING**

**Do not expose magnifying lens to direct sunlight as this could present a fire hazard. For indoor use only.**

#### **■ Assembly**

1. Remove the lamp from the package.
2. Tighten the T shape screw (1) until the clamp is firmly secured against both sides of the surface you are mounting the lamp on. Do not over-tighten the clamp as it may damage the table.
3. Remove the screw (2) from the back of the clamp.
4. Insert the mounting post (3) of the lamp into the opening on the clamp. Make sure the stem is fully inserted.
5. Re-install the screw (2) and secure it tightly so that the lamp post (3) does not come loose from the clamp.
6. Unfold the lamp and adjust head into proper position.
7. Remove and discard the polyfoam cushion used to protect the 22W fluorescent bulb during transportation.
8. Insert the plug into a wall outlet.
9. Turn on the lamp by the ON/OFF switch (6) located at the top of the head.



#### **■ Important Safety Instructions**

Do not alter the plug. Contact a qualified electrician if you have issues with your outlet receptacle.