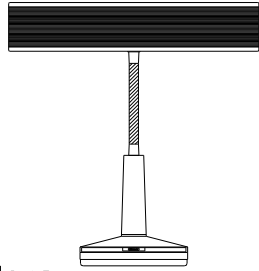
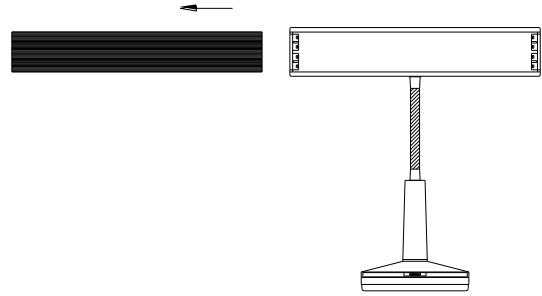


1



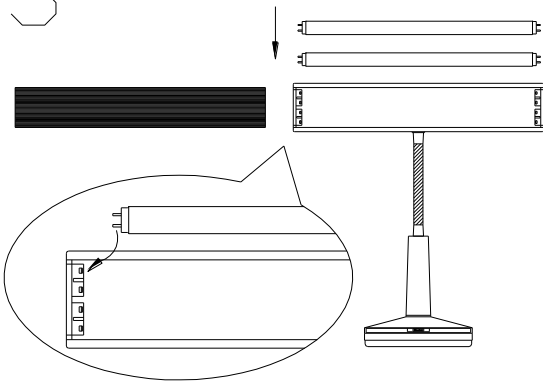
1. Take out the lamp before you replace the tubes.

2



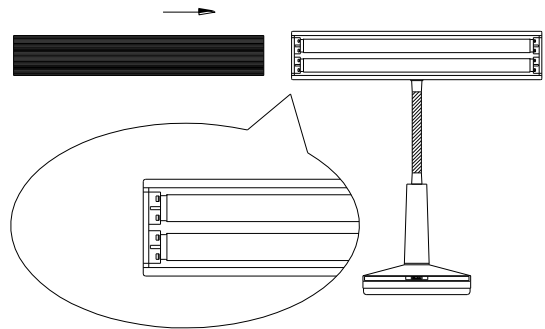
2. Open the diffuser.

3



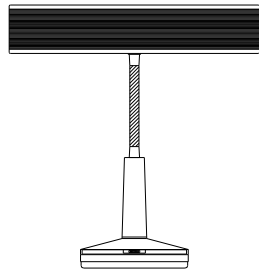
3. Insert the pin on tubes into the slot of shade carefully and properly.

4



4. Close the diffuser after the tubes are installed into the shade.

5



5. The tubes are successfully replaced.