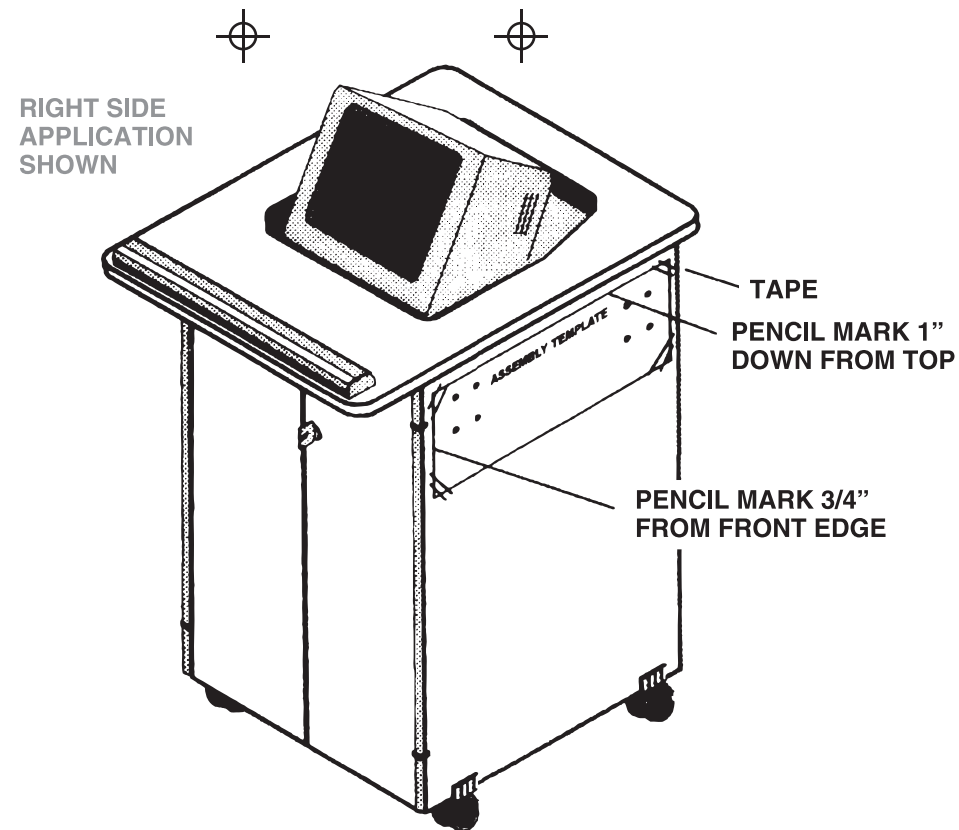


Right Side Application

MEASURE 3/4" FROM FRONT EDGE OF UNIT
MAKE PENCIL MARK

1 Mark unit for Template placement as directed on Template (arrows).



2 Tape Template into place along pencil marks as shown FIG.1.

MEASURE 1" DOWN FROM UNDERSIDE OF TOP MAKE PENCIL MARKS NEAR FRONT AND BACK

Stand 'N View Shelf

VF115

Assembly Template

www.advantus.com

Vertiflex
Products™

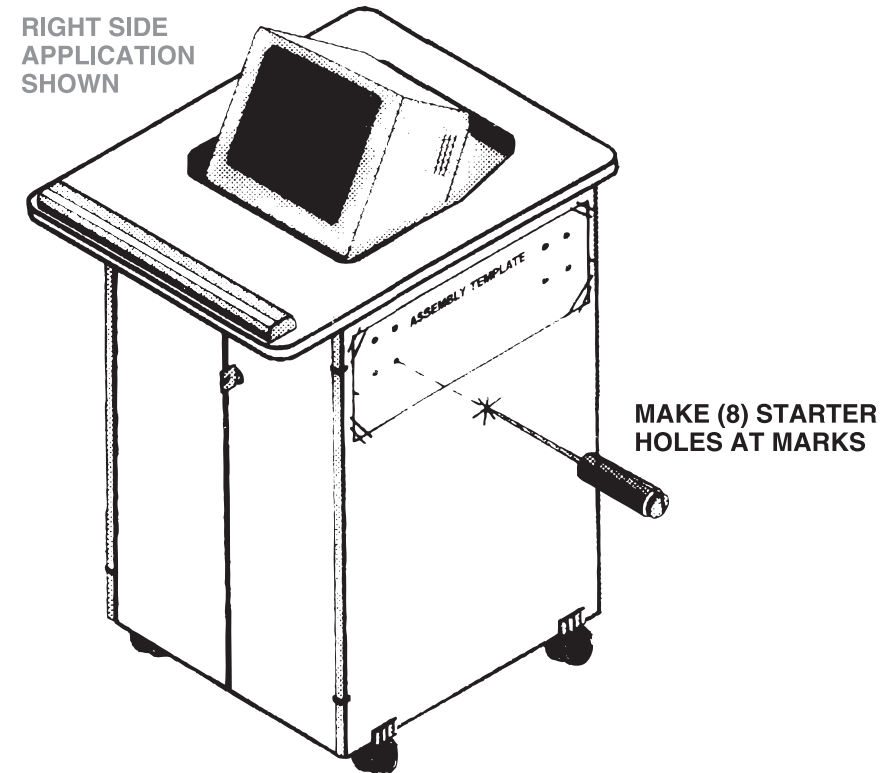
904.482.0091

MEASURE 1" DOWN FROM UNDERSIDE OF TOP MAKE PENCIL MARKS NEAR FRONT AND BACK

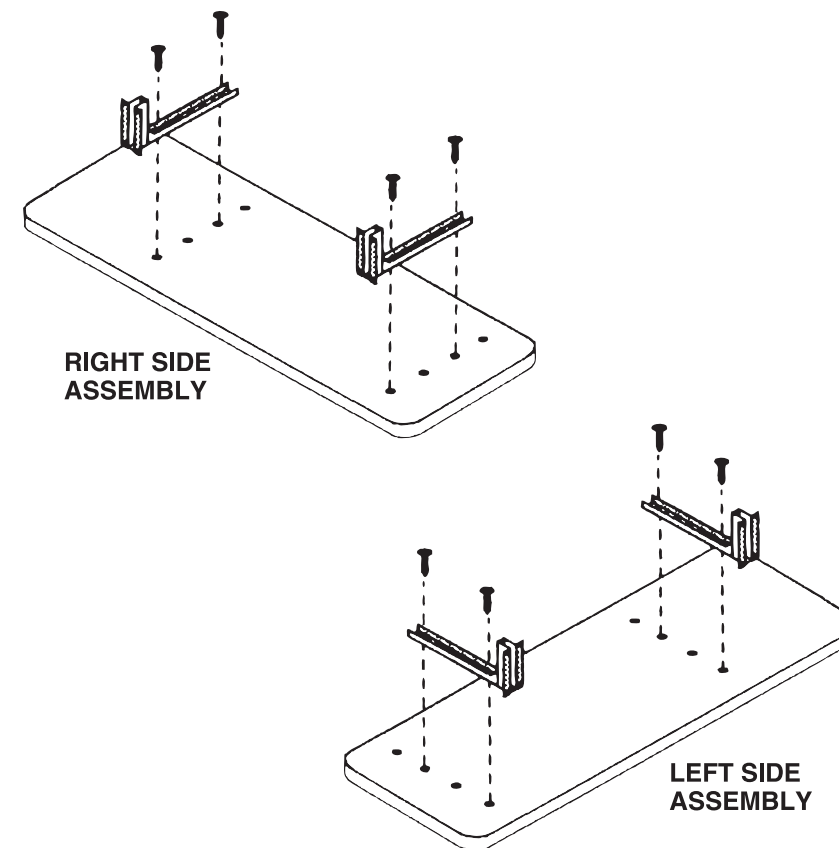
Left Side Application

MEASURE 3/4" FROM FRONT EDGE OF UNIT
MAKE PENCIL MARK

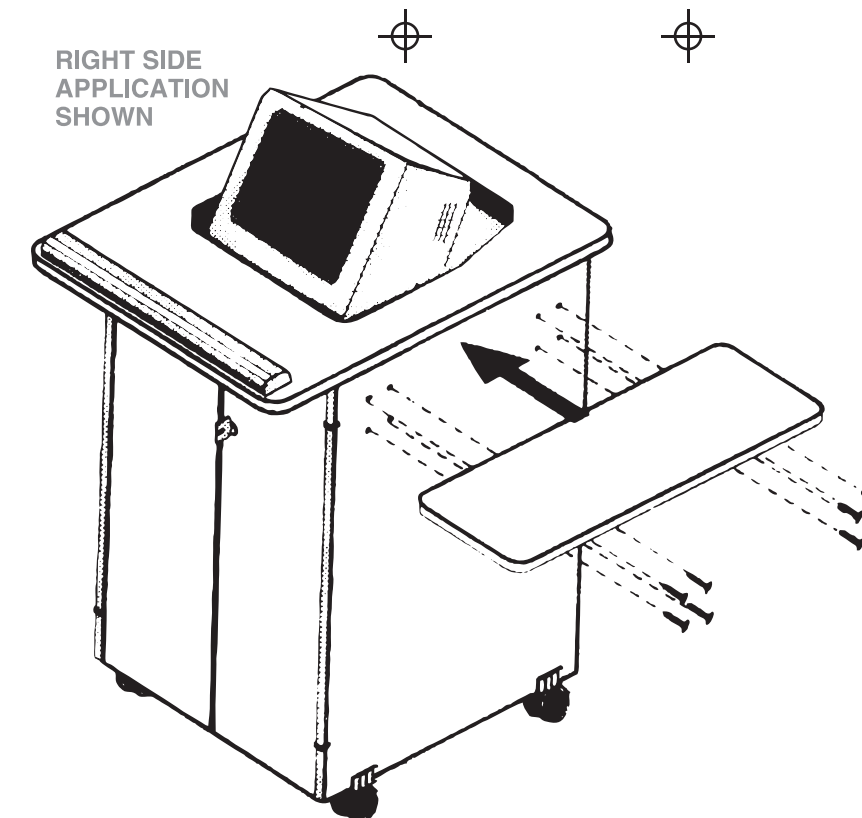
1 Mark unit for Template placement as directed on Template (arrows).



3 Make small starter holes for bracket screws at (8) register marks on Template, as shown in FIG. 2, using a 1/16" drill, ice pick, awl, or similar sharp tool.



4 Attach folding shelf brackets to shelf as shown in FIG. 3, selecting desired configuration for your application. Use (4) screws provided.



5 Remove Template. Using 2 people, align Model #VF115 Stand 'N View Shelf (brackets in open position) with starter holes. Attach brackets using (8) screws provided as shown in FIG. 4. Right side mounting shown.