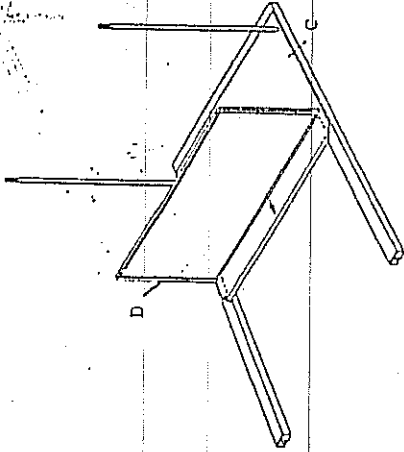
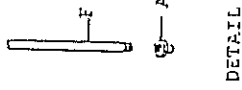


Press caster sockets (G) into bottom of each leg frame (B).

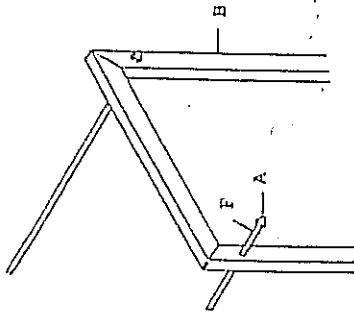
Place shelf panel (D) into groove of back panel (C) as shown.



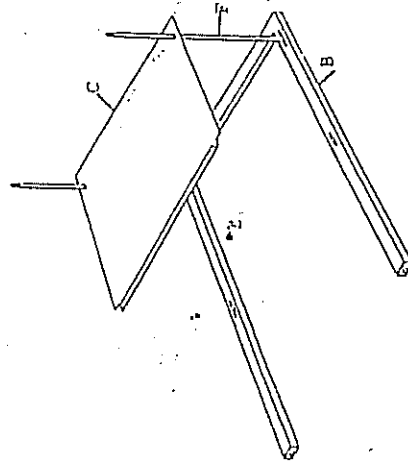
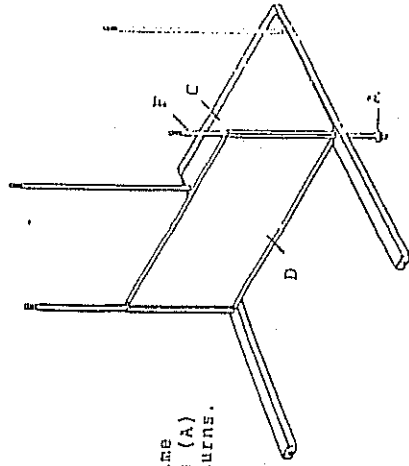
Insert threaded rods (A) into one end of the threaded rods (E), approximately 3 turns, as shown in detail. Insert rods thru top holes in leg frame (B). Make sure flat side of leg frame faces cap nuts.



DETAIL



Insert threaded rods (F) thru leg frame and shelf panel (D). Thread cap nuts (A) onto ends of rods, approximately 3 turns.



Place leg frame assembly on a smooth, flat surface. Slide back panel (C) onto leg frame assembly as shown.

Slide side panels (E) onto shelf panel and threaded rods as shown.

