

- Use caution during assembly, unbanded edges can be sharp and may chip if mishandled.
- Remove staples, (if any) from carton and use carton to set parts on during assembly.
- Page two of this instruction sheet contains an illustrated parts list and phone number to call in case of missing hardware. The parts list also contains drawings of the screws and other hardware as an easy identification guide.

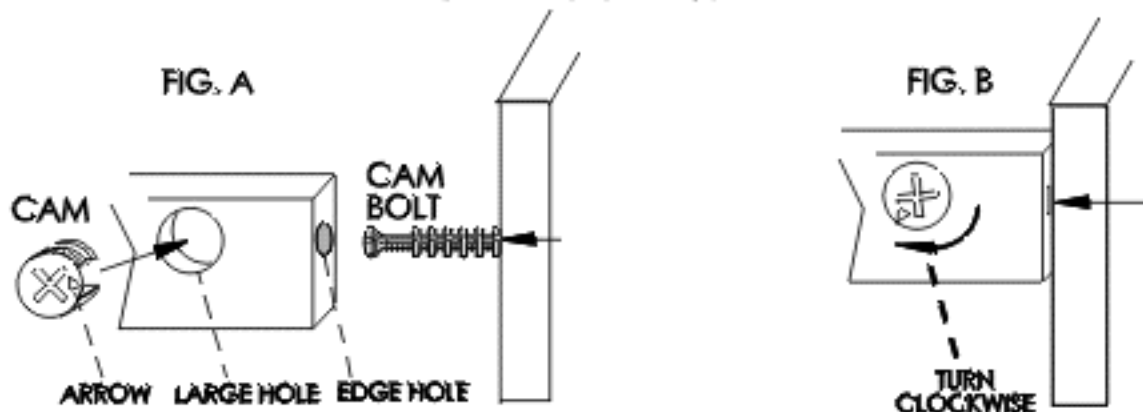


TOOLS REQUIRED

- #2 PHILLIPS SCREWDRIVER – CAMBOLT
- #6 FLAT SCREWDRIVER – CAM
- HAMMER

POWER TOOLS ARE NOT RECOMMENDED

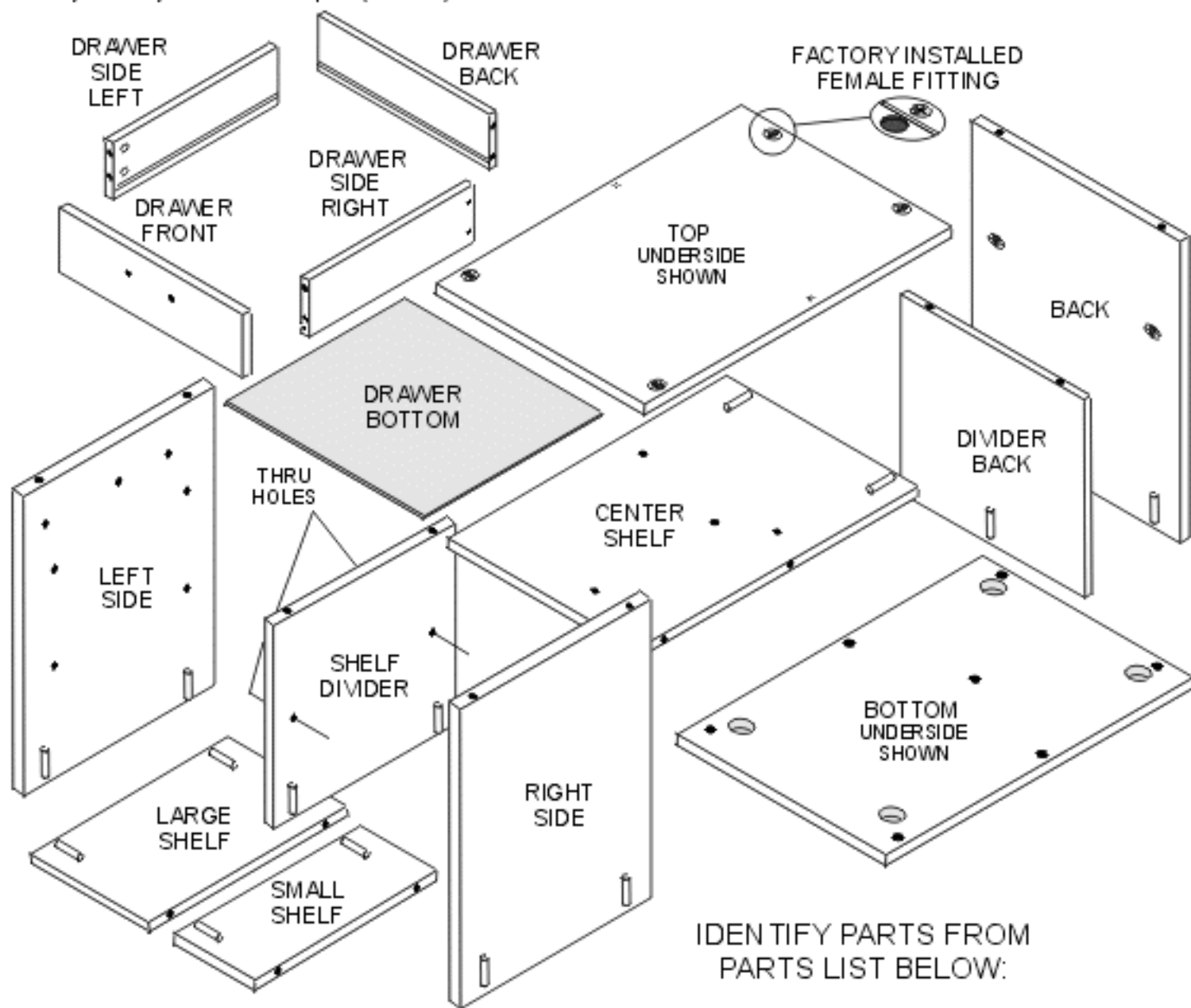
CAM LOCK ASSEMBLY



- Insert CAM, with arrow pointing to edge hole, into large hole in face of panel as shown in FIG. A
- Fully insert CAM BOLT, installed on adjoining panel, into edge hole as shown in FIG. A and FIG. B
- Turn CAM clockwise 1/3 rotation to lock panels together. FIG. B. For additional security, CAM may be turned another 1/4 turn.

1. IDENTIFY ALL PARTS.

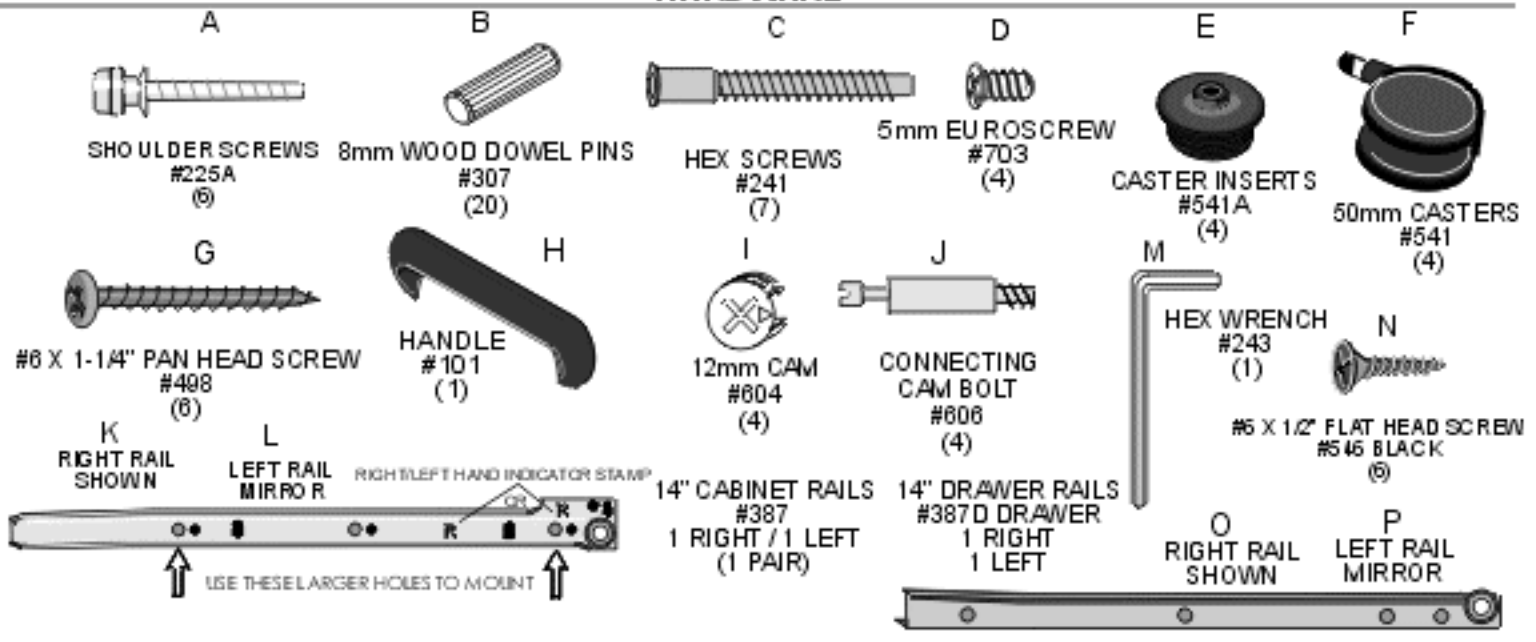
If any parts are missing OR you have questions about assembly, please call CUSTOMER SERVICE 1-800-966-5511 Monday - Friday 8am. TO 4:30pm. (Central)



IDENTIFY PARTS FROM PARTS LIST BELOW:

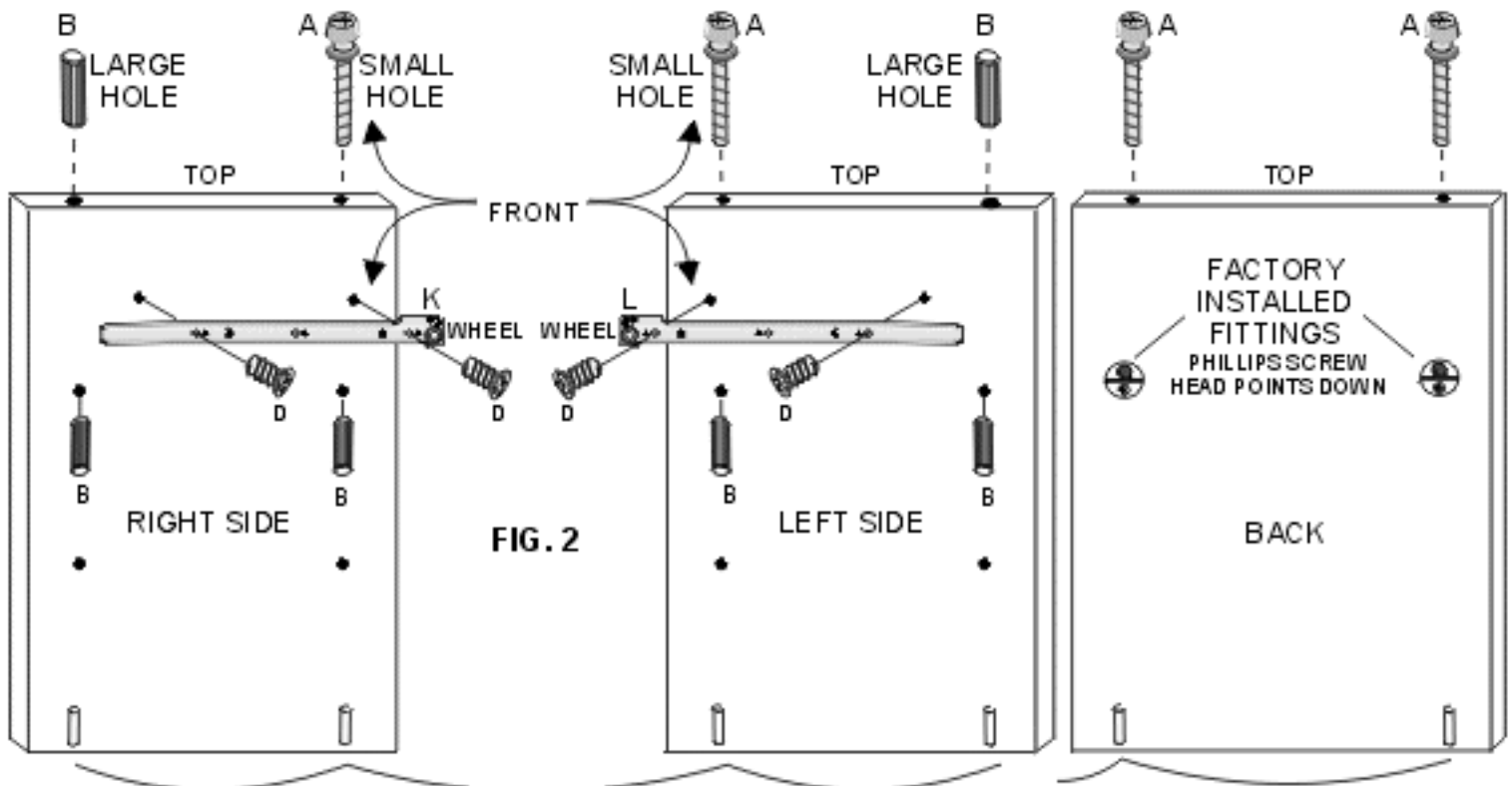
| NO. | WOOD PART LIST | WOOD PART SIZES | | | WOOD PART NUMBERS |
|-----|----------------|-----------------|-----------|-----------|--------------------|
| | | THICKNESS | WIDTH | LENGTH | |
| 1 | RIGHT SIDE | 5/8" | X 14-5/8" | X 19" | 2150-RSIDE + COLOR |
| 1 | LEFT SIDE | 5/8" | X 14-5/8" | X 19" | 2150-LSIDE |
| 1 | BOTTOM | 5/8" | X 18" | X 24" | 2150-BOTTOM |
| 1 | TOP | 5/8" | X 18" | X 24" | 2150-TOP |
| 1 | BACK | 5/8" | X 18" | X 19" | 2150-BACK |
| 1 | DIVIDER BACK | 5/8" | X 12" | X 14-5/8" | 2150-DIVBACK |
| 1 | CENTER SHELF | 5/8" | X 14-3/4" | X 23-3/8" | 2150-CENTSLF |
| 1 | SHELF DIVIDER | 1/2" | X 13-3/4" | X 12" | 2150-SHLFDIV |
| 1 | SMALL SHELF | 1/2" | X 5-1/8" | X 13-3/4" | 2150-SMSHELF |
| 1 | LARGE SHELF | 1/2" | X 9" | X 13-3/4" | 2150-LGSHELF |
| 1 | DRAWER FRONT | 5/8" | X 4" | X 14-1/2" | 2150-DWRFRNT |
| 1 | DRAWER BACK | 1/2" | X 3-1/2" | X 12-5/8" | 2150-DWRBAK |
| 2 | DRAWER SIDES | 1/2" | X 3-1/2" | X 13-3/4" | 2150-DWRSIDS |
| 1 | DRAWER BOTTOM | 1/8" | X 13-1/8" | X 13-1/2" | 2150-DWRBOTT |

HARDWARE



2. INSTALL HARDWARE

Lay RIGHT and LEFT SIDE on a flat, non-scratch surface as shown. FIG. 2 Locate TOP and FRONT of panels. Install (1) SHOULDER SCREW (A) into small hole in top edge of each panel. Insert (2) 8mm WOOD DOWEL PINS (B) into holes in face of each panel as shown. Gently tap DOWEL PINS with a hammer to set into place. Insert (1) 8mm WOOD DOWEL PIN into large hole in top edge of each panel. Gently tap DOWEL PINS. Align and attach (1) 14" RIGHT CABINET RAIL (K) to RIGHT SIDE using (2) 5mm EUROSCREWS (D). Insure that wheel on rail faces to the FRONT of panel. Repeat for LEFT SIDE using (1) 14" LEFT CABINET RAIL (L) and (2) 5mm EUROSCREWS (D). Wheel on rail faces to the FRONT of panel as shown. Lay BACK on a flat, non-scratch surface as shown. Install (2) SHOULDER SCREWS (A) into top edge holes. Reference top edge of panel by using FACTORY INSTALLED FITTINGS as guide. **SET PANELS ASIDE FOR LATER ASSEMBLY ON UNIT.**

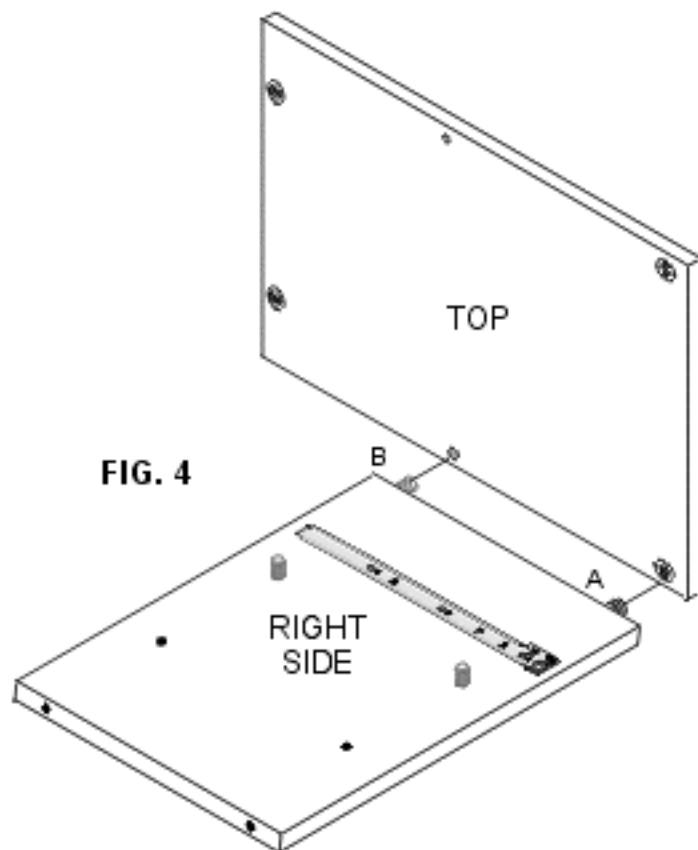
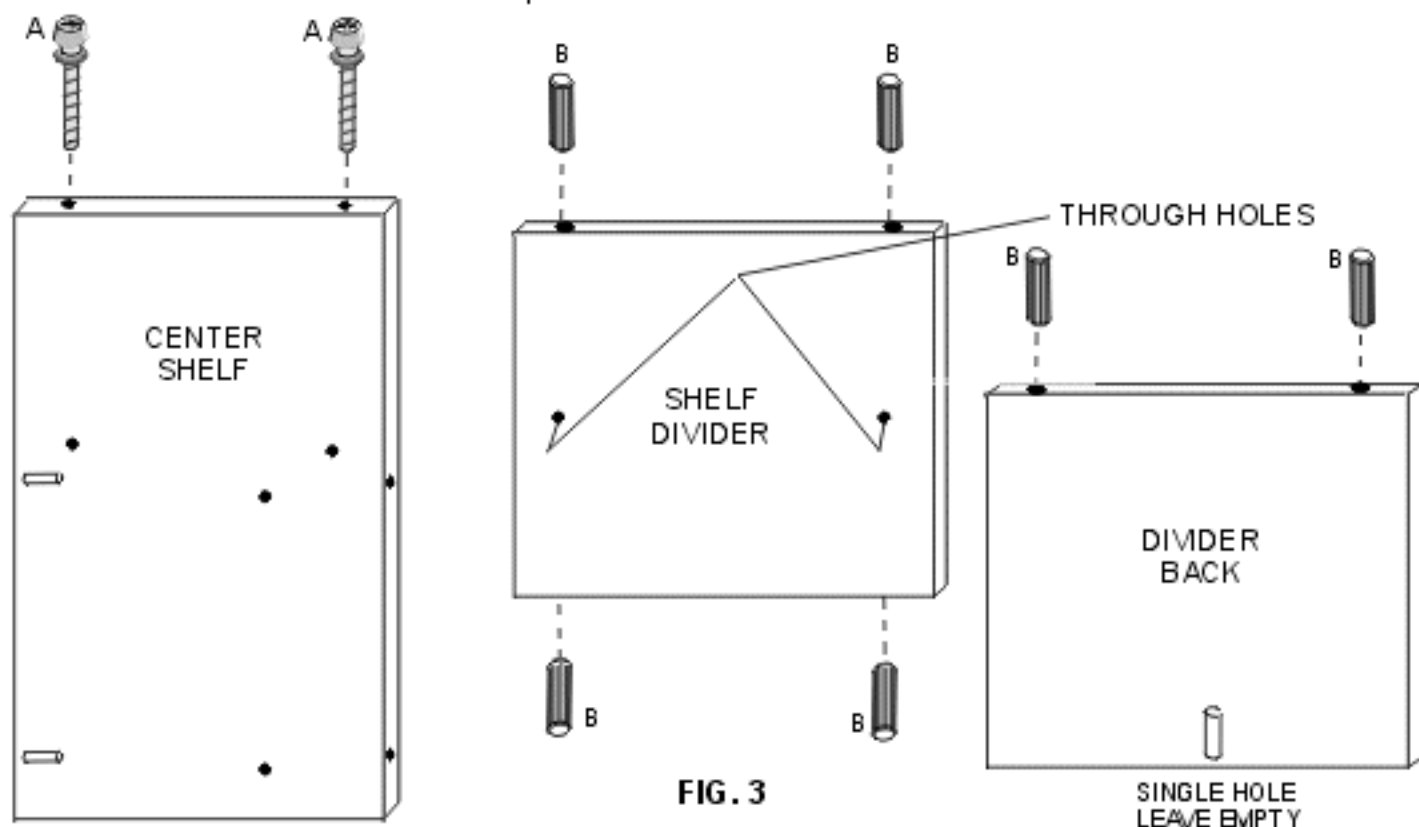


ALL SAME SIZE HOLES AT BOTTOM EDGES OF THESE PANELS

3. INSTALL HARDWARE

Lay CENTER SHELF on a flat, non-scratch surface as shown. FIG. 3 Install (2) SHOULDER SCREWS (A) into the short end of panel. Lay SHELF DIVIDER on a flat, non-scratch surface. NOTE: Identify SHELF DIVIDER by THROUGH HOLES in face of panel. Insert (2) 8mm WOOD DOWEL PINS (B) into each end of panel as shown. Gently tap DOWEL PINS with a hammer to set into place.

Lay DIVIDER BACK on a flat, non-scratch surface. Insert (2) WOOD DOWEL PINS as shown. Gently tap DOWEL PINS with a hammer to set into place.



4. ASSEMBLE

Lay RIGHT SIDE on a flat, non-scratch surface. FIG. 4 Align and attach (1) DOWEL PIN (B) with hole and (1) SHOULDER SCREW (A) with factory installed fitting on TOP as shown. Tighten fitting.

5. ASSEMBLE

Align and attach CENTER SHELF to (2) WOOD DOWEL PINS (B) prepared on RIGHT SIDE. FIG. 5 Support CENTER SHELF through STEP 6.

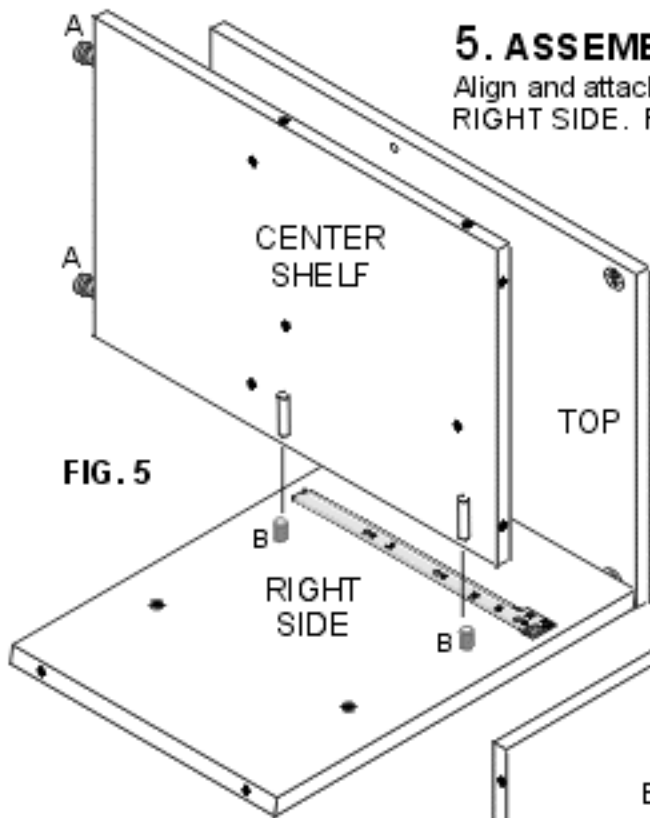


FIG. 5

6. ASSEMBLE

Position BACK as shown. FIG. 6 Align and attach BACK to factory installed fittings on TOP. Swing BACK in to align and attach to CENTER SHELF. Tighten all fittings.

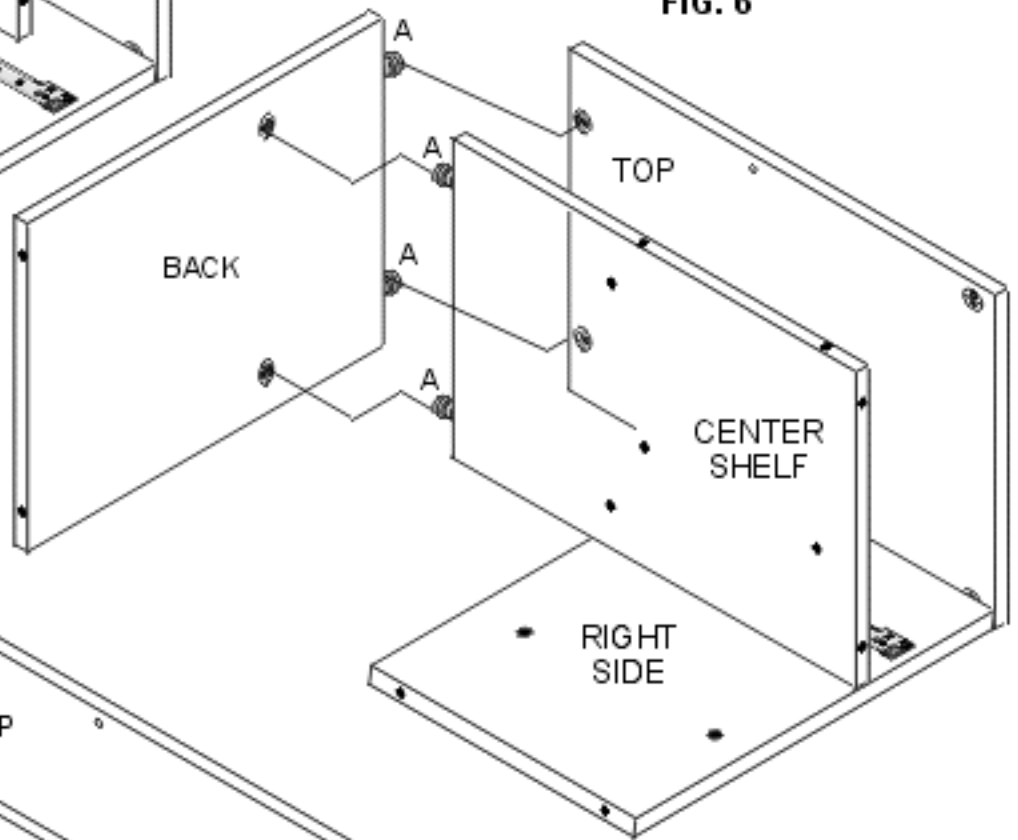
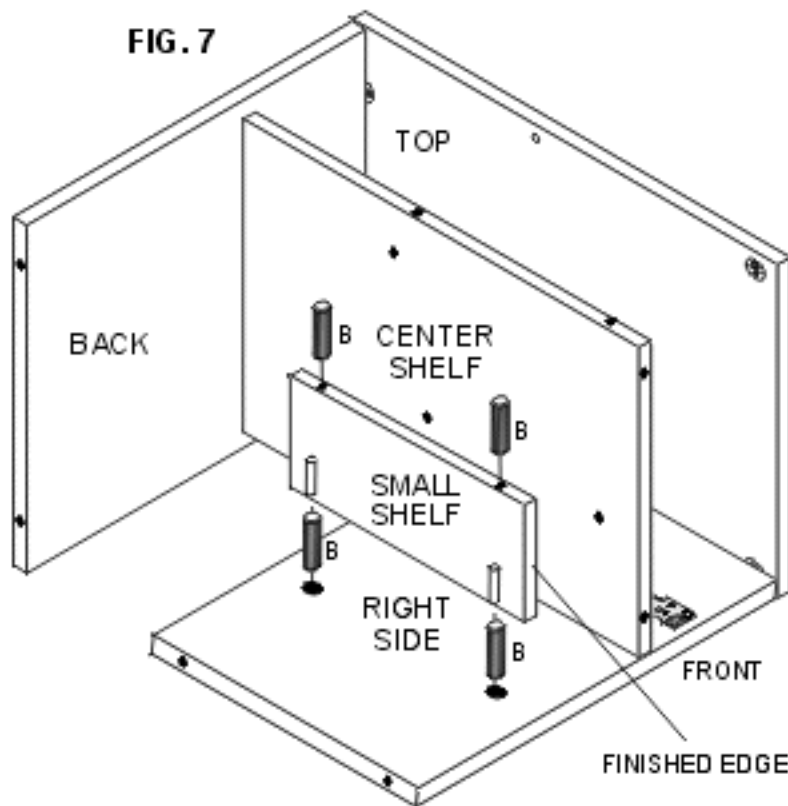


FIG. 6

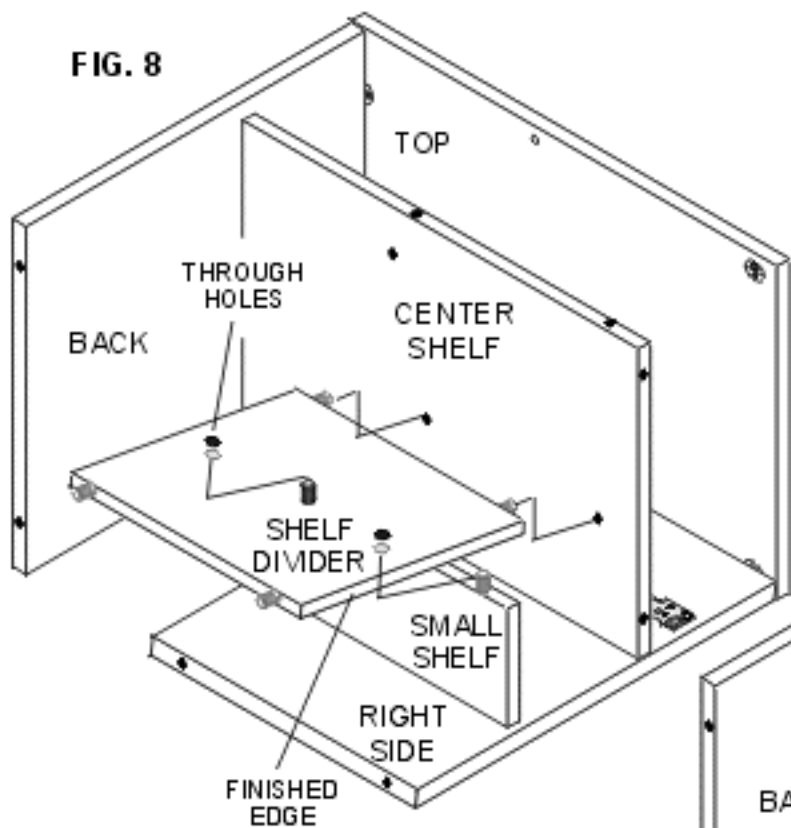
FIG. 7



7. ASSEMBLE

Prepare SMALL SHELF by inserting (2) 8mm WOOD DOWEL PINS (B) into each edge as shown. Gently tap PINS to set into place. Attach SMALL SHELF by aligning and inserting (2) 8mm WOOD DOWEL PINS into lower set of holes in RIGHT SIDE. Insure FINISHED EDGE faces front of unit. Press SMALL SHELF down onto pins to attach. FIG. 7

FIG. 8



8. ASSEMBLE

Align and attach SHELF DIVIDER to CENTER SHELF as shown. Insure FINISHED EDGE faces front of unit. FIG. 8 With SHELF DIVIDER held at an angle, align and insert (2) WOOD DOWEL PINS on edge into (2) pre-drilled holes in CENTER SHELF and then lower SHELF DIVIDER down to insert (2) WOOD DOWEL PINS on SMALL SHELF into holes on underside of SHELF DIVIDER. Gently press down to connect..

FIG. 9

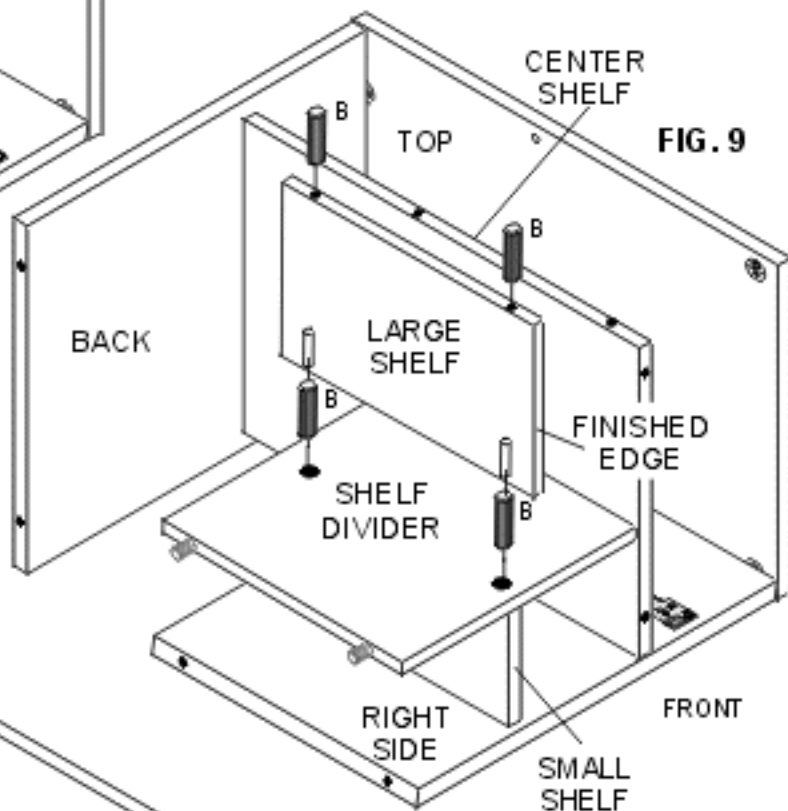
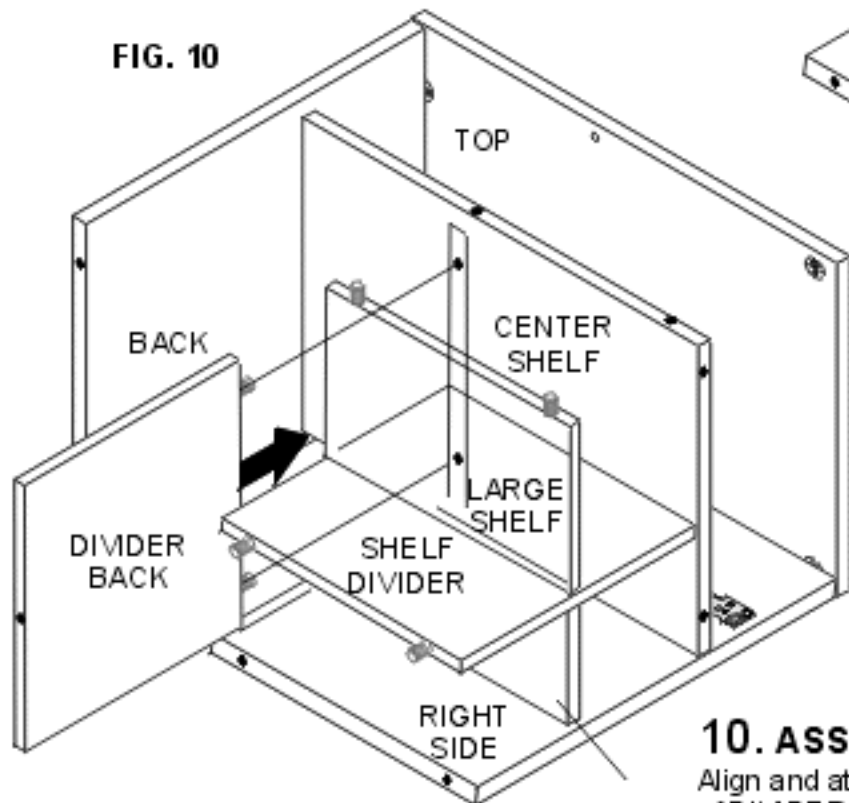


FIG. 10



9. ASSEMBLE

Prepare LARGE SHELF by inserting (2) 8mm WOOD DOWEL PINS (B) into each edge as shown. FIG. 9 Gently tap PINS to set into place. Attach LARGE SHELF by aligning and inserting (2) 8mm WOOD DOWEL PINS (B) into holes in SHELF DIVIDER. Insure FINISHED EDGE faces front of unit. Press LARGE SHELF down onto pins to attach. FIG. 9

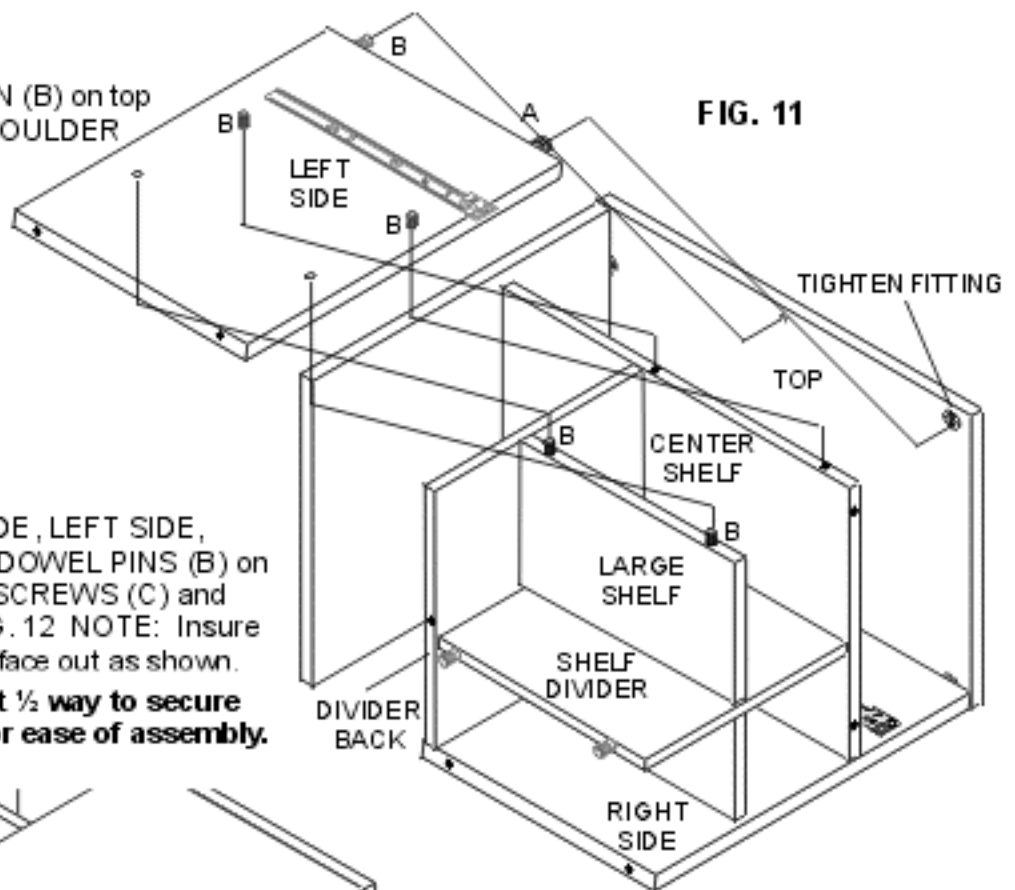
10. ASSEMBLE

Align and attach (2)WOOD DOWEL PINS (B) on top edge of DIMDER BACK to holes on CENTER SHELF. FIG. 10 Push parts together to attach. NOTE: DIMDER BACK sits on rear edge of RIGHT SIDE as shown.

11. ASSEMBLE

Align and attach (1) WOOD DOWEL PIN (B) on top edge of LEFT SIDE to hole AND (1) SHOULDER SCREW (A) with fitting on TOP. FIG. 11

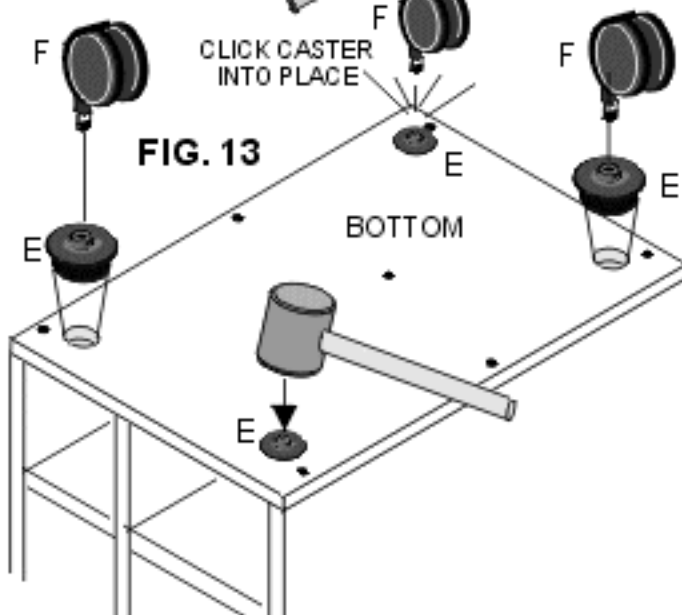
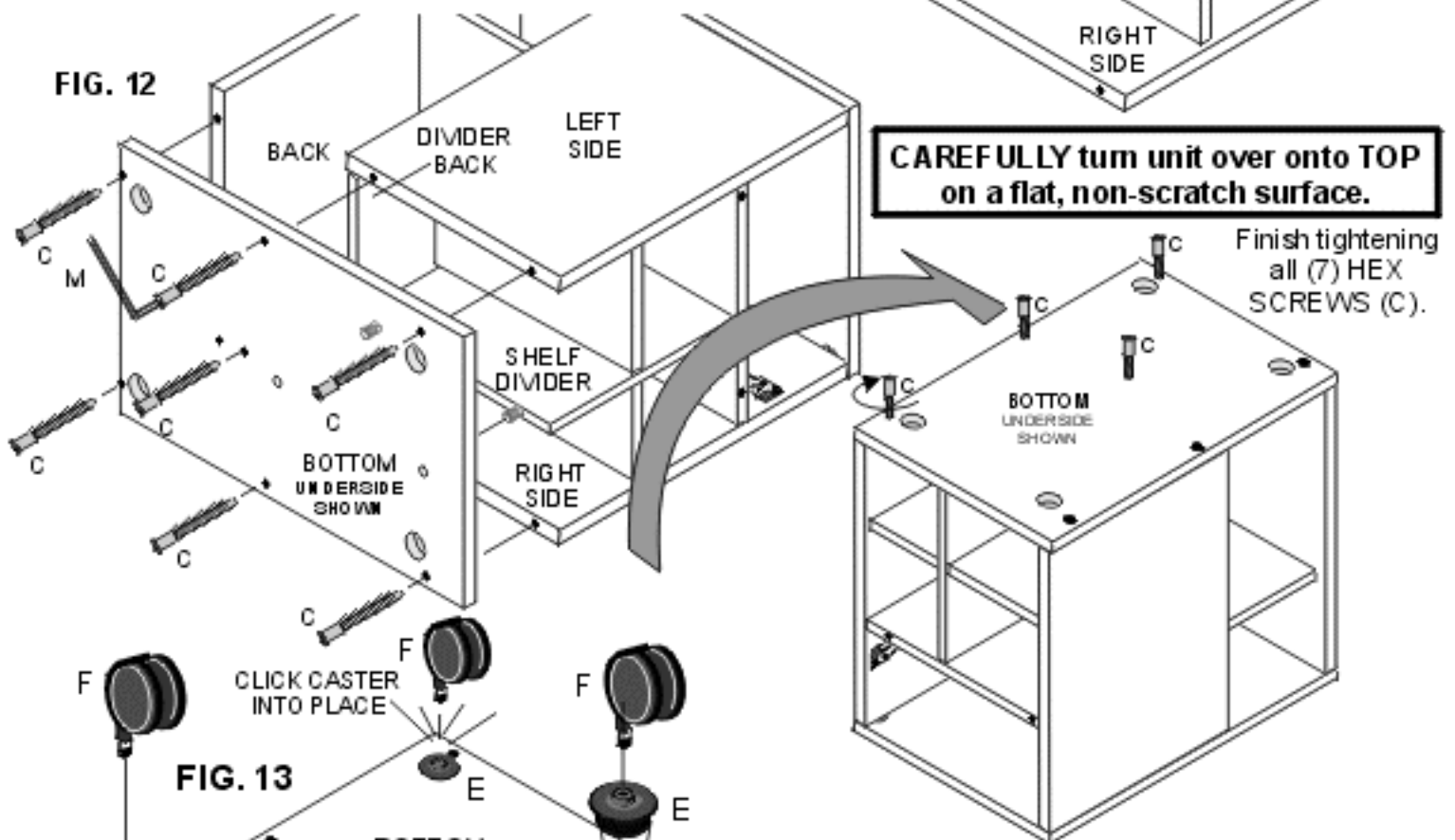
Keep LEFT SIDE at a slight angle while aligning (2) WOOD DOWEL PINS (B) on face of LEFT SIDE with (2) holes on CENTER SHELF and (2) PINS on LARGE SHELF with corresponding holes on LEFT SIDE. Press down gently to attach. From under LEFT SIDE tighten fitting on TOP.



12. ASSEMBLE

Align and attach BOTTOM to RIGHT SIDE, LEFT SIDE, DIVIDER BACK, BACK and (2) WOOD DOWEL PINS (B) on SHELF DIVIDER. Attach with (7) HEX SCREWS (C) and tighten with (1) HEX WRENCH (M). FIG. 12 NOTE: Insure that (4) large CASTERS INSERT holes face out as shown.

NOTE: Tighten HEX SCREWS at least 1/2 way to secure parts, then turn unit over onto TOP for ease of assembly.



13. ASSEMBLE

With unit still up-side down, align and install (4) CASTER INSERTS (E) into large holes on BOTTOM. FIG. 13 Gently tap CASTER INSERTS with a hammer to set into place. Install (4) 50mm CASTERS into inserts as shown. Some force may be required to "click" CASTERS into place. CAREFULLY turn unit right-side up onto casters.

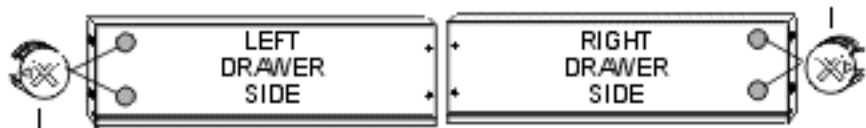
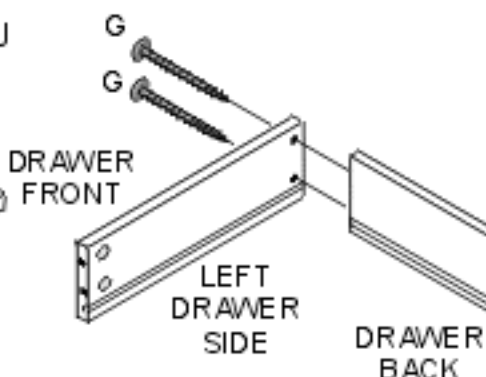
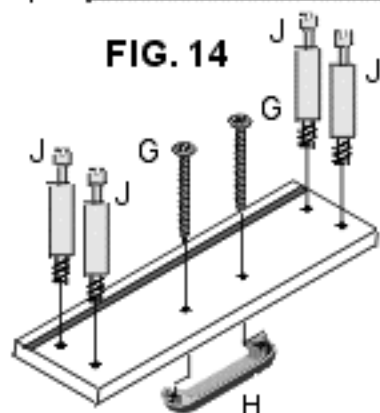


FIG. 14



14. PREPARE DRAWER PARTS

Lay LEFT and RIGHT DRAWER SIDES on a flat, non-scratch surface. Insert (2) 12mm CAM (I) each into the larger face hole. FIG. 14 Insure that the ARROW on the CAM points to edge with corresponding hole. Lay DRAWER FRONT on a flat, non-scratch surface. Install (4) CONNECTING CAM BOLTS (J) into DRAWER FRONT as shown. FIG. 14 Align and attach (1) HANDLE (H) to **OPPOSITE SIDE** of DRAWER FRONT using (2) #6 X 1-1/4" PAN HEAD SCREWS (G).

15. ASSEMBLE DRAWER

Stand LEFT and RIGHT DRAWER SIDE on a flat, non-scratch surface, all slots facing down. Align and attach DRAWER BACK between DRAWER SIDES using (2) #6 X 1-1/4" PAN HEAD SCREWS (G) each side. **NOTE:** Insure that all slots face inside of DRAWER. FIG. 15

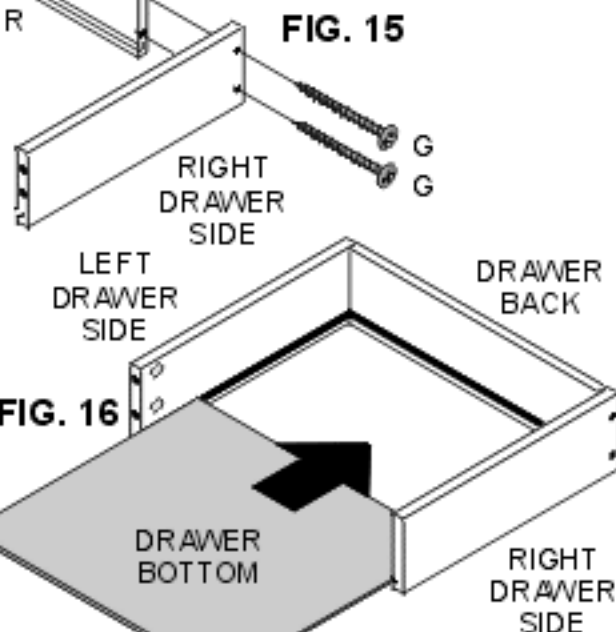


FIG. 15

16. INSTALL BOTTOM

Align and install DRAWER BOTTOM into slot on RIGHT and LEFT DRAWER SIDE and engage in slot on DRAWER BACK. FIG. 16

FIG. 16

17. INSTALL DRAWER FRONT

Align and attach DRAWER FRONT onto DRAWER ASSEMBLY FIG. 17. Tighten CAMS on inside of DRAWERS.

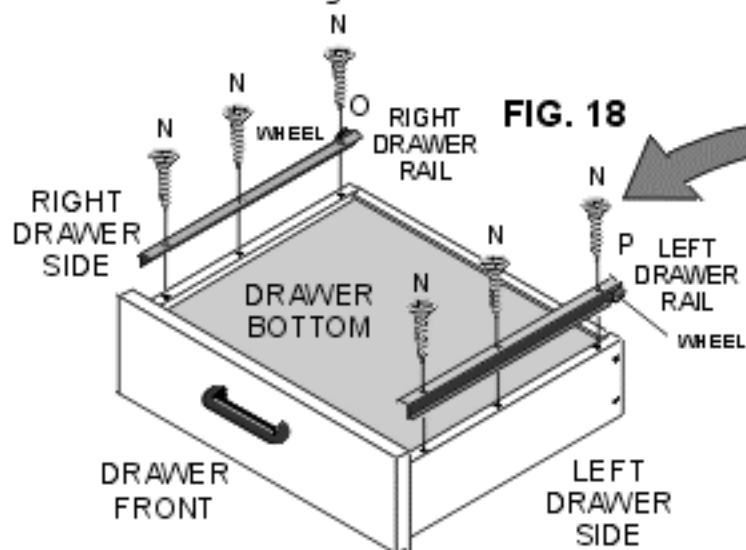


FIG. 18

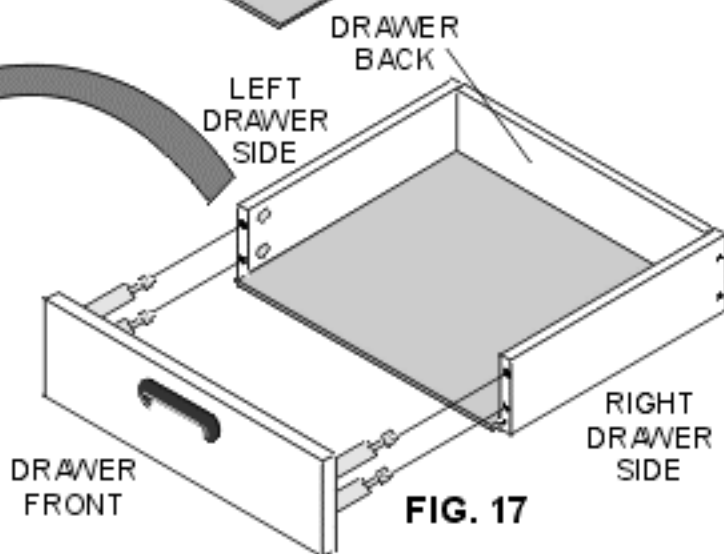


FIG. 17

18. INSTALL DRAWER RAILS

Turn assembled drawer over. Align and attach (1) RIGHT DRAWER RAIL (O) and (1) LEFT DRAWER RAIL (P) to bottom edges of DRAWER SIDES as shown, using (3) #6 X 1/2" FLAT HEAD SCREWS (N) each. Insure that wheels on rail are positioned to the rear of the drawer as shown. FIG. 18

Install DRAWER into unit by aligning wheels on DRAWER SIDES above and behind wheels on cabinet RIGHT and LEFT SIDES. Push drawer in and onto rails.