

# Vertiflex™ Products

## MOUSE BOARD

MODEL 362  
ASSEMBLY INSTRUCTIONS

The MOUSE BOARD is designed to be attached to many VERTIFLEX workstation keyboard shelves, for either right or left hand mousing. The keyboard shelf to be used must have a flat, unobstructed area on the underside to accommodate the "put away" position of the MOUSE BOARD. The MOUSE BOARD projects laterally in this configuration. FIG. 1 RIGHT SIDE application shown.

As an alternative, the MOUSE BOARD may be used on the underside of some desk tops and would project straight out from the desk surface.

Remove keyboard shelf from workstation or desk and turn up-side down on a flat surface. Confirm that MOUSE BOARD will fit in the area available. Tape TEMPLATE onto surface following instructions on TEMPLATE. FIG. 2 (Right side position shown). Make mounting holes as shown. Remove TEMPLATE. Reverse position of TEMPLATE for LEFT SIDE Installation if desired.

Install (2) mounting screws provided, starting with first hole at end of rail. FIG. 3

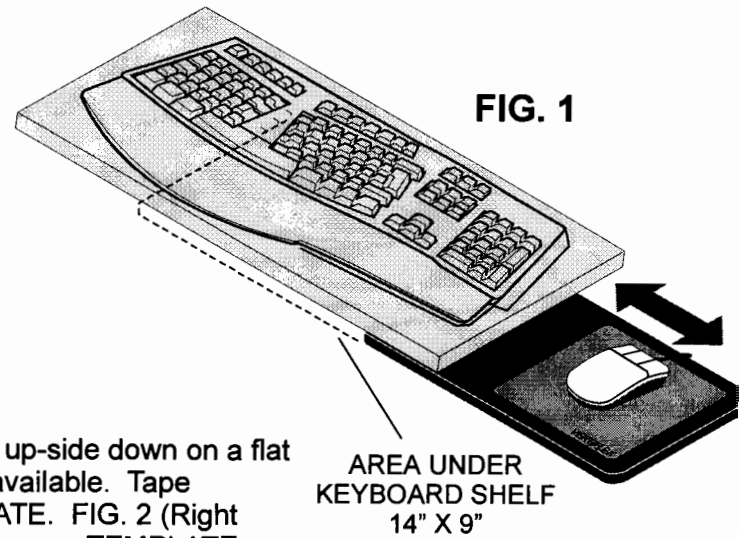
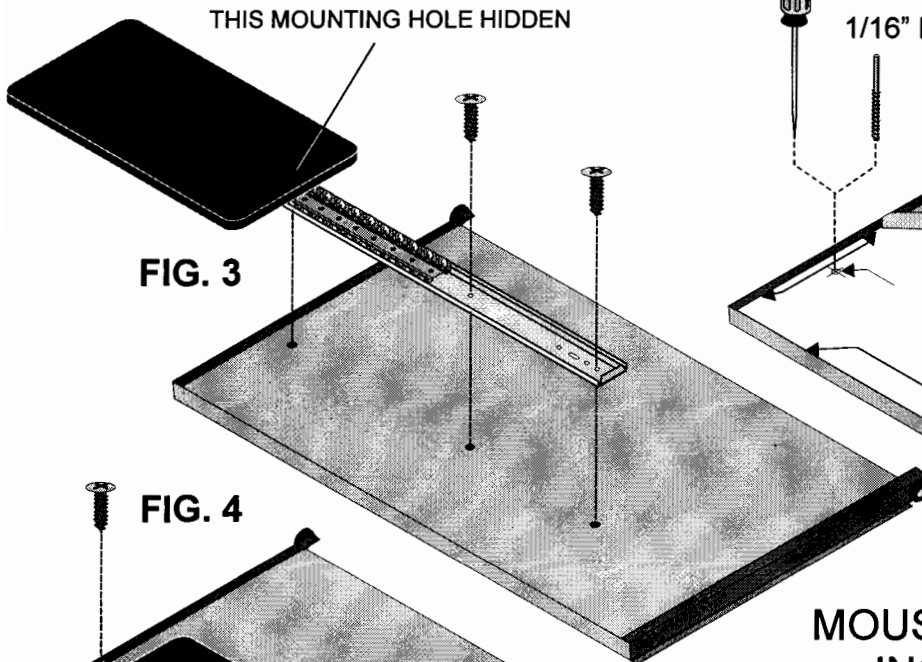


FIG. 1

AREA UNDER  
KEYBOARD SHELF  
14" X 9"

SHARP POINTED TOOL  
OR  
1/16" DIA. DRILL BIT



THIS MOUNTING HOLE HIDDEN

FIG. 2

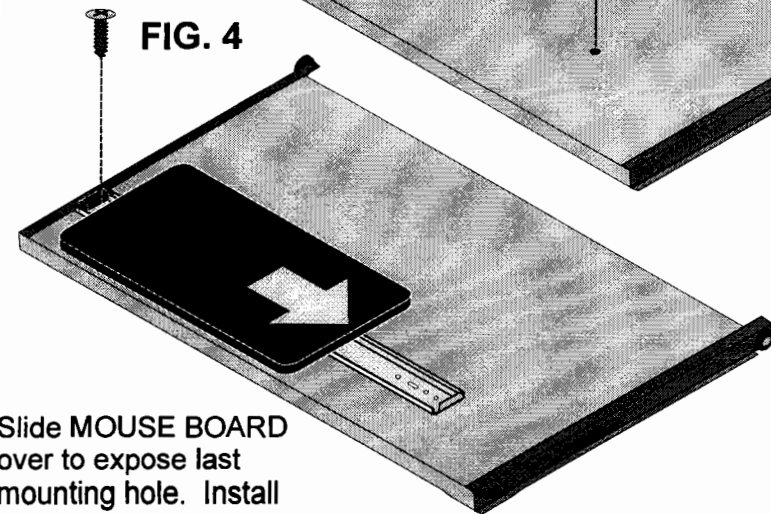


FIG. 3

FIG. 4

Slide MOUSE BOARD over to expose last mounting hole. Install (1) mounting screw. FIG. 4 Return keyboard shelf to unit.

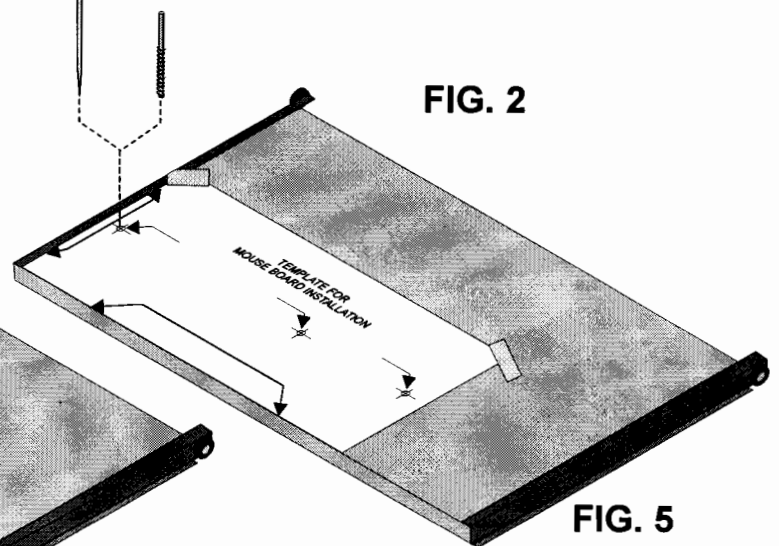


FIG. 5

### MOUSE POCKET INCLUDED

Place mouse pocket in a convenient location for storage of mouse when mouse board is placed in closed position. Remove liner from adhesive on back of mouse pocket and press to mount to selected surface.

