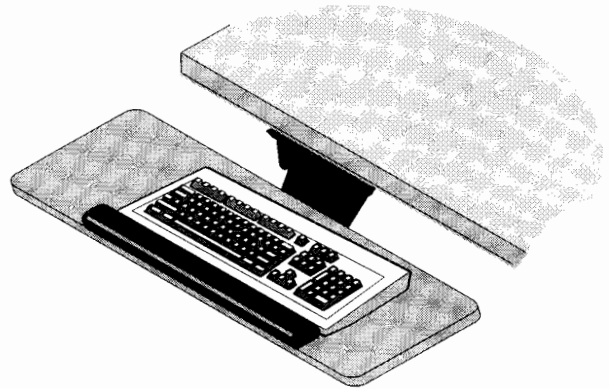


MODEL 500 ASSEMBLY INSTRUCTIONS

GENERAL INSTRUCTIONS

The Articulating Keyboard Arm Model #500 is designed to attach to any **ErgoScape** Worktable. The Model #500 features height and tilt adjustment, as well a swivel feature, for ergonomic computer keyboard positioning. This unit may also be attached to other under-table surfaces where there is ample, flat area to accommodate the correct function of the unit.



HARDWARE LIST



BASE MOUNTING SCREWS (4)

#6 MOUNTING SCREWS (7)

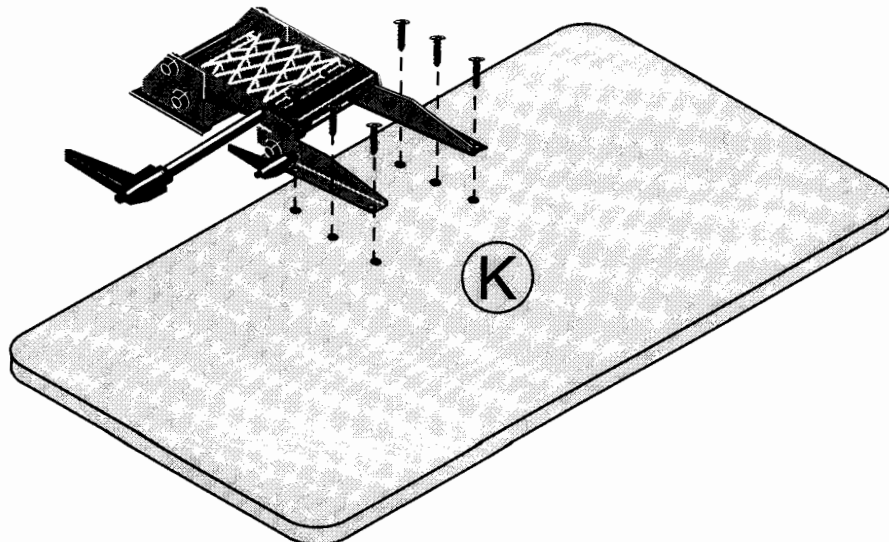


RUBBER BUMPER (1)

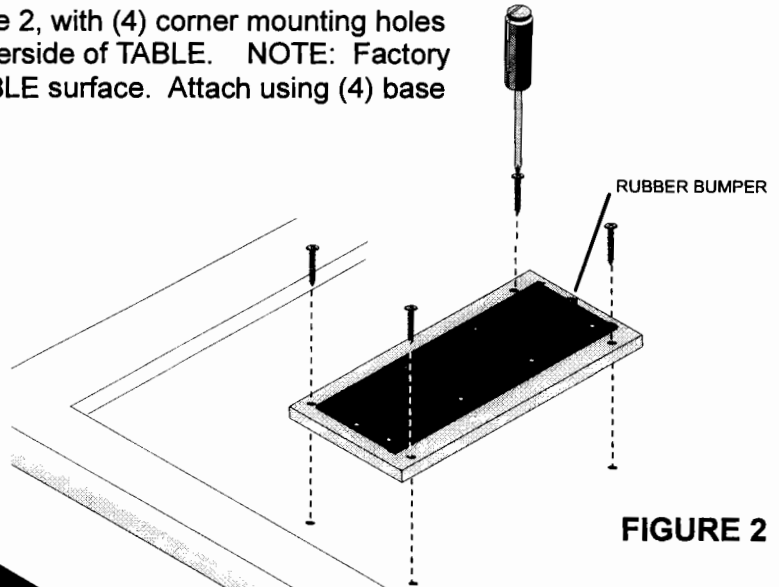
NOTE: Prior to assembly, locate Articulating Keyboard Arm Mechanism. Remove mechanism from rail. Slide away from rubber bumper and off of rail.

INSTRUCTIONS FOR ERGOSCAPE MOUNTING

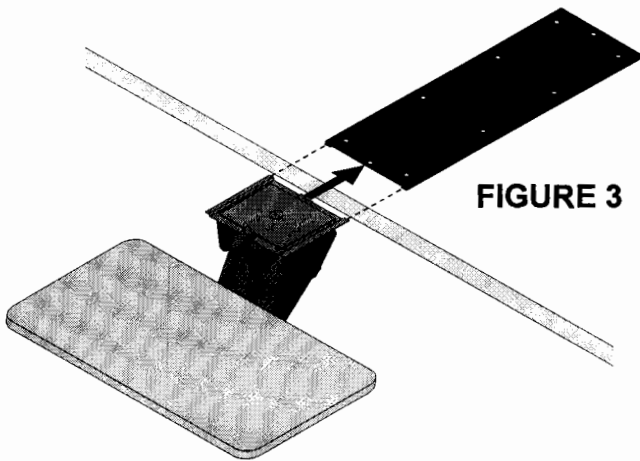
STEP 1. Lay keyboard shelf "K", with (6) small mounting holes facing up, on a flat, non-scratch surface as shown in figure 1. Position the articulating arm, align and attach using (6) #6 mounting screws provided. Set this assembly aside for later installation.



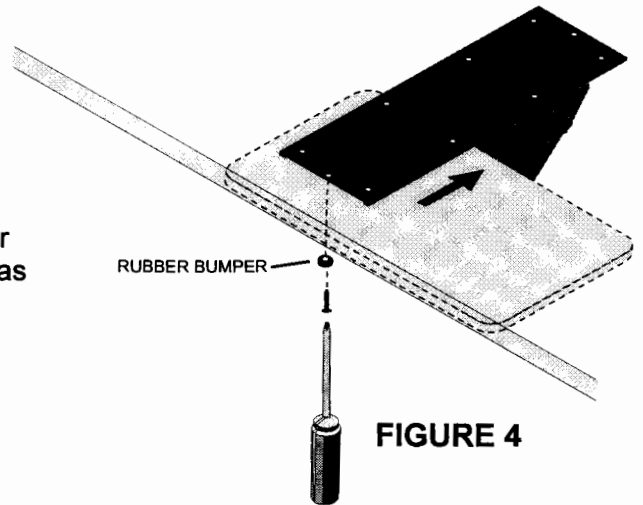
STEP 2. Position panel "B" as shown in figure 2, with (4) corner mounting holes aligned with selected pre-drilled holes on underside of TABLE. NOTE: Factory installed rubber bumper to the rear of the TABLE surface. Attach using (4) base mounting screws provided.



STEP 3. Using 2 people to avoid injury or damage to the unit, turn TABLE right-side up. Align guides on Articulating Keyboard Arm with rail as shown in figure 4. Slide Keyboard Arm all the way back until it contacts rear bumper.



STEP 4. Install 1) #6 mounting screw through hole in rubber bumper. Attach rubber bumper to front – center hole in rail as shown in figure 4.



STEP 5. Remove paper liner from adhesive strip on the back of WRIST REST, as shown in figure 5. Carefully align WRIST REST along front edge of KEYBOARD SHELF. Press WRIST REST onto shelf to secure.

