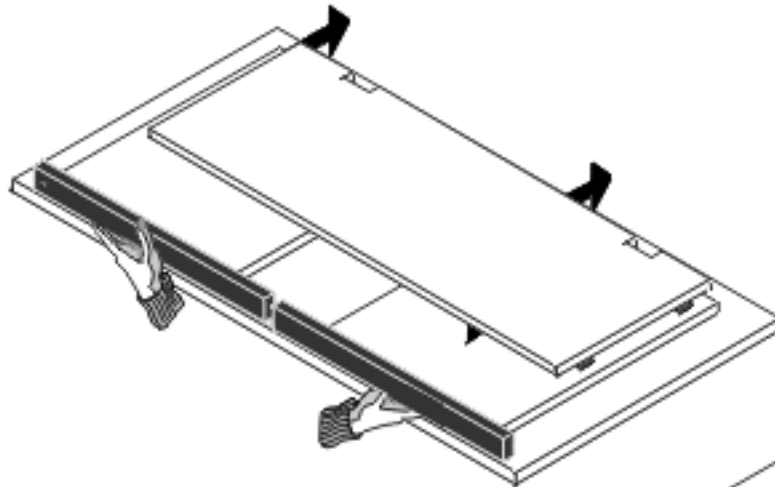
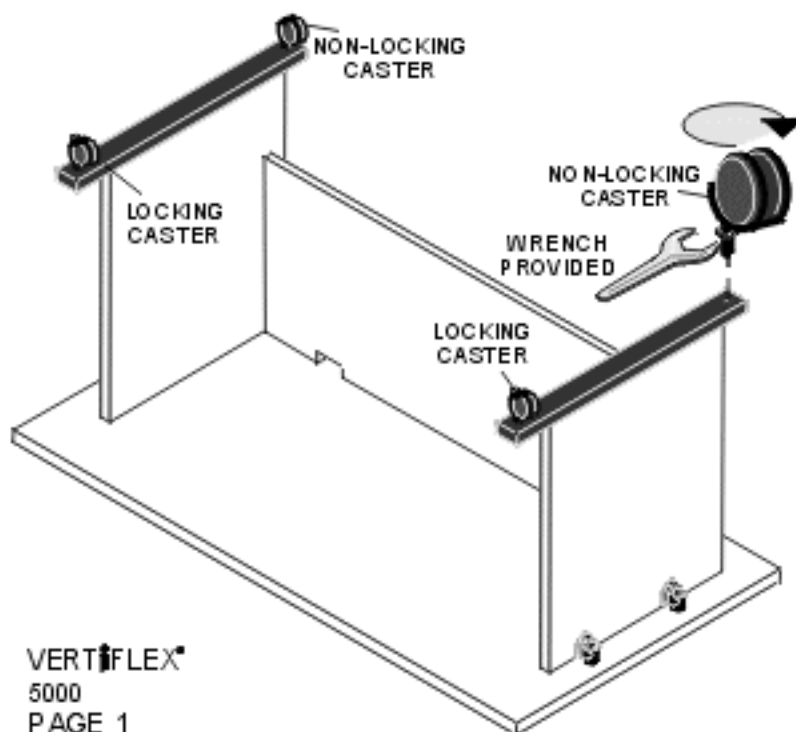
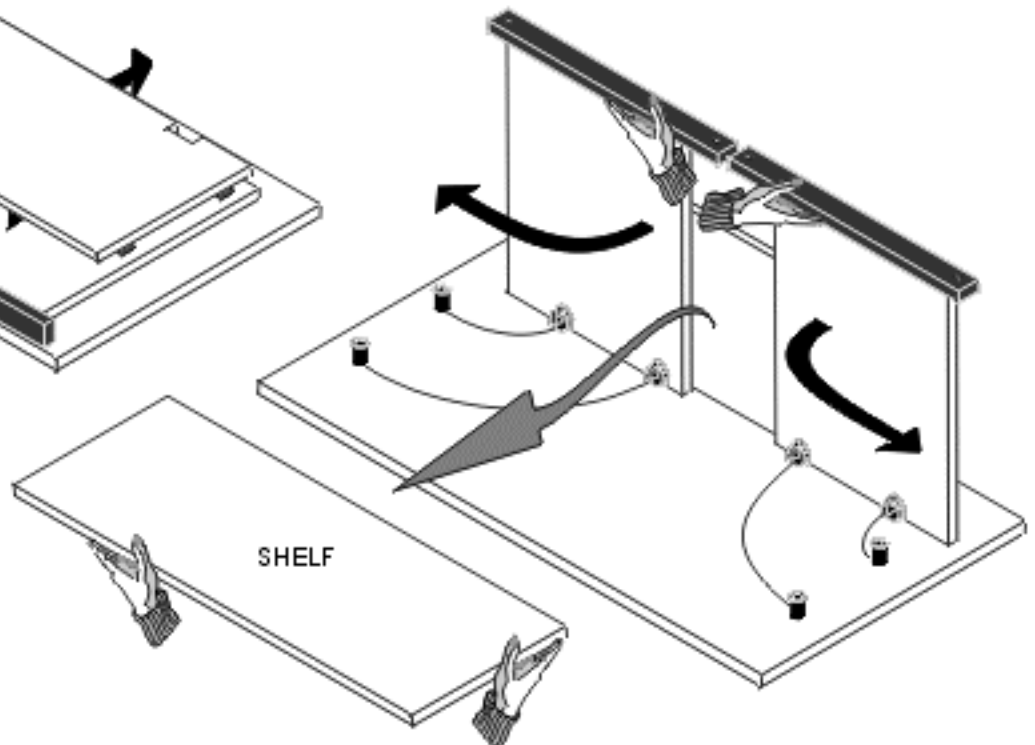


TABLE MODEL #5000

- 1** Leave product on box or other non-scratch surface for assembly. Open **SIDES** and **BACK** by lifting metal leg supports.



- 2** CAREFULLY REMOVE LOOSE SHELF WHILE OPENING SIDES. Check alignment of **CLIPS** to **POSTS** to insure no twisting of **CLIP** occurred during shipping. "CLICK" **CLIPS** onto **POSTS** to secure.



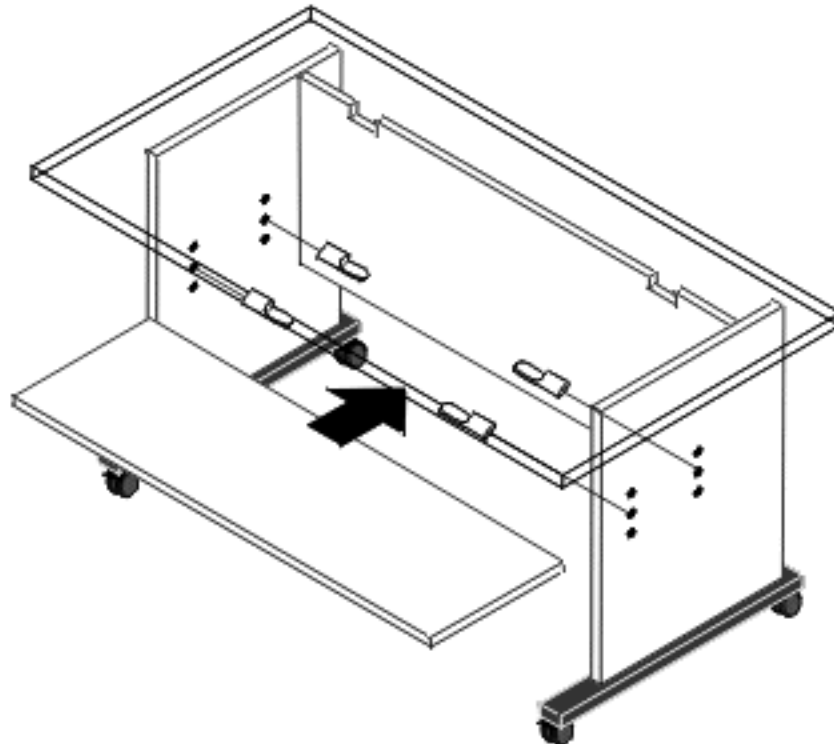
- 3** Install **CASTERS** into threaded holes in metal leg supports. **NON-LOCKING CASTERS** to rear (near **BACK**) **LOCKING CASTERS** to front. Tighten with **WRENCH PROVIDED**.



TABLE MODEL #5000



Install (2) SHELF PINS at selected level on SIDE S.
Install adjustable shelf onto PINS.



CONTACT US

If you have questions about assembly, please call CUSTOMER SERVICE
1-800-966-5511 Monday - Friday 8am. TO 4:30pm. (Central)