

One Piece Floor Lectern

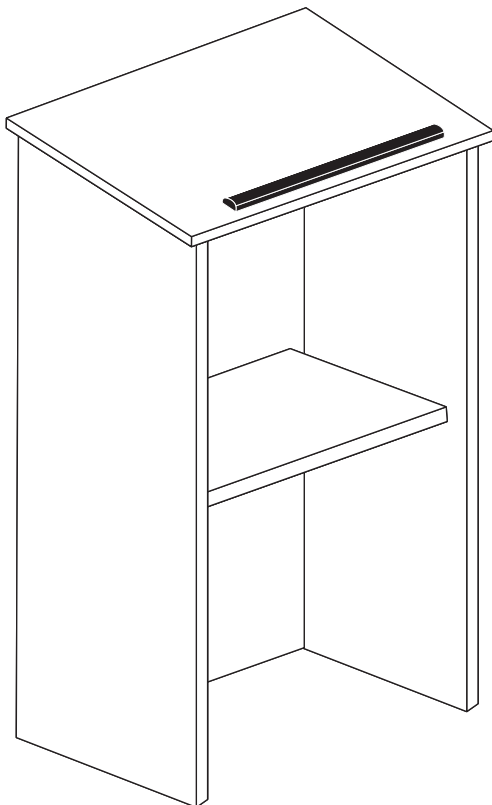
Vertiflex
Products™

VF50051C (oak) • VF50052C (walnut) • VF50265C (mahogany)

Assembly Instructions

www.advantus.com

904.482.0091



Assembly Preview

Use caution during assembly, unbanded edges can be sharp and may chip if mishandled

Remove staples (if any) from carton and use carton to set parts on during assembly

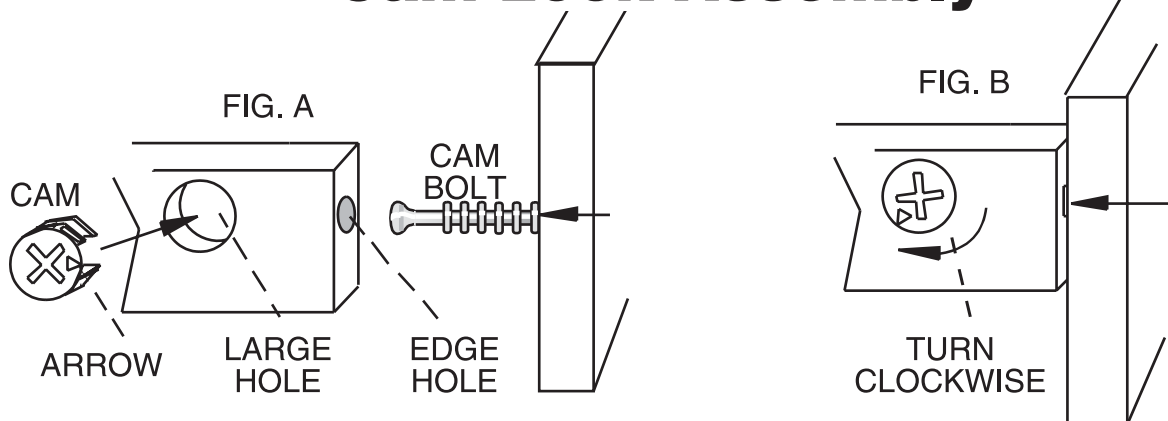
Page two of this instruction sheet contains an illustrated parts list and drawings of the screws and other hardware as an easy identification guide

Tools Required:

- #2 Phillips Screwdriver - Cam Bolt
- #6 Flat Screwdriver - Cam

POWER TOOLS ARE NOT RECOMMENDED

Cam Lock Assembly

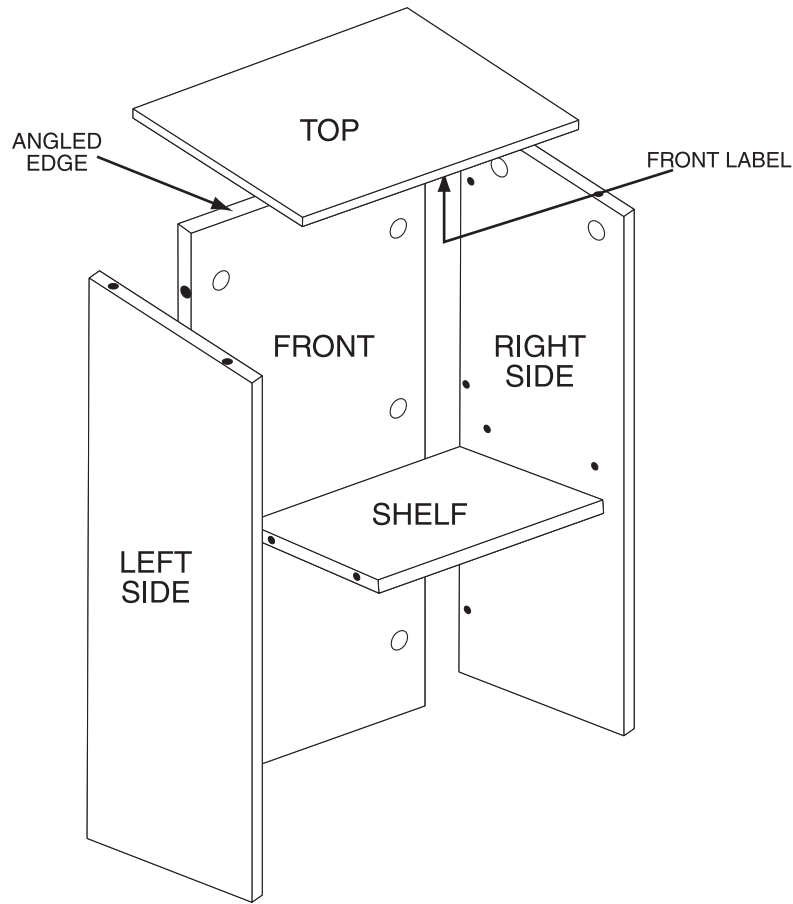


Insert CAM with arrow pointing to edge hole, into large hole in face of panel as shown in FIG. A

Fully insert CAM BOLT, installed on adjoining panel, into edge hole as shown in FIG. A and FIG. B

Turn CAM clockwise 1/3 rotation to lock panels together. FIG. B. For additional security, CAM may be turned another 1/4 turn

Hardware & Parts List



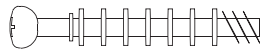
WOOD PART LIST		WOOD PART SIZES			WOOD PART NUMBERS BY COLOR		
QTY	NAME	WIDTH		LENGTH	GRAY	OAK	MAHOGANY
1	FRONT	20-7/16"	X	45"	51COAK-FRONT	52CWAL-FRONT	265CMAH-FRNT
1	LEFT SIDE	14-5/8"	X	45-3/8"	51COAK-LSIDE	52CWAL-LSIDE	265CMAH-LSID
1	RIGHT SIDE	14-5/8"	X	45-3/8"	51COAK-RSIDE	52CWAL-RSIDE	265CMAH-RSID
1	SHELF	11-7/8"	X	20-7/16"	51COAK-SHELF	52CWAL-SHELF	265CMAH-SHLF
1	TOP	15-3/4"	X	23"	51COAK-TOP	52CWAL-TOP	265CMAH-TOP

A



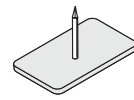
19mm CAM
PART# 213
(14)

B



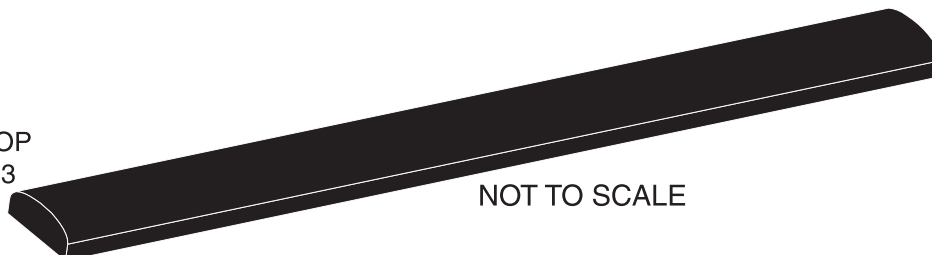
CONNECTING CAM
BOLT
PART# 212
(14)

C



RECTANGULAR TACK GLIDE
PART# 215
(Pre-Installed)

PAPER STOP
PART# 793
(1)



NOT TO SCALE

1

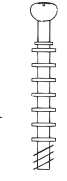
BEGIN ASSEMBLY BY INSTALLING HARDWARE AS SHOWN BELOW

The LETTERS next to the hardware shown refer to the same letters next to the hardware in the Parts List.

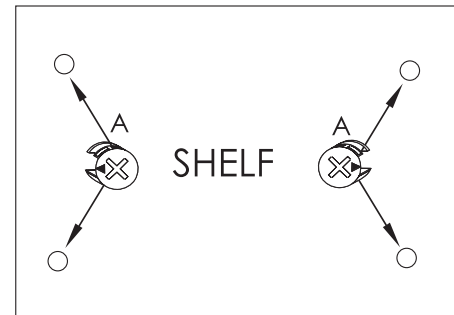
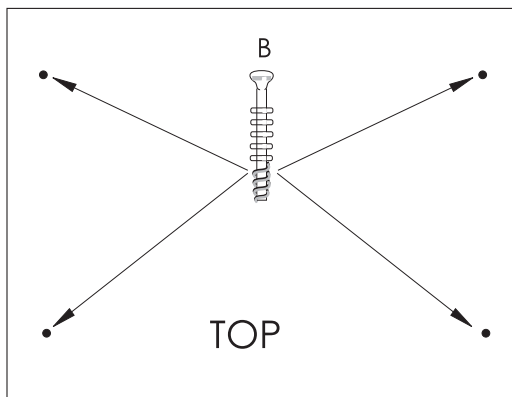
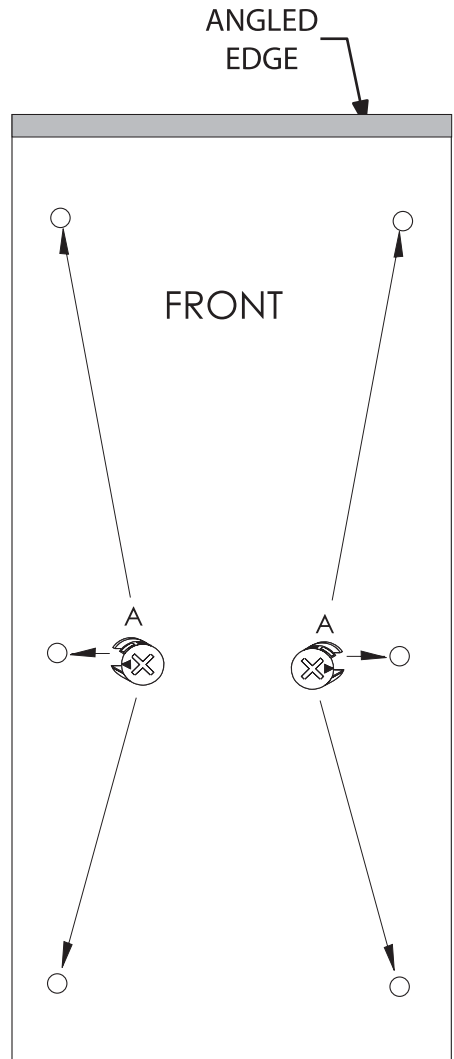
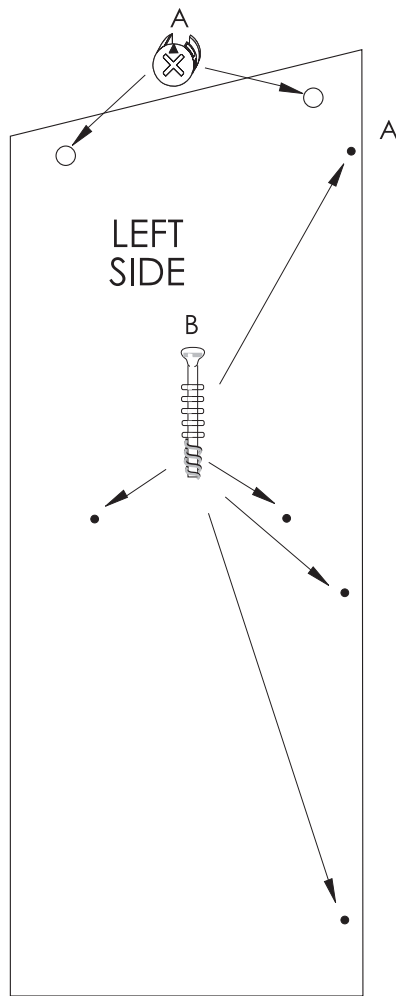
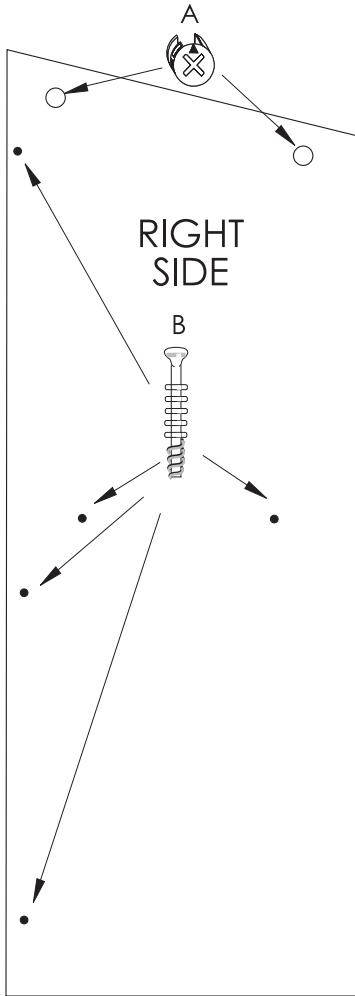
Cams are inserted with CAM ARROWS pointing to the corresponding edge with the edge hole as shown in FIG .C.

FIG. C

SHOULDER →



CAM ARROW →



2 Assembly of Cabinet

NOTE: THE ARROW ON THE CAM MUST POINT TO THE CAM BOLT AS PANELS ARE ALIGNED FOR FASTENING. DO NOT PUT STRESS ON VERTICAL PANELS DURING ASSEMBLY. KEEP PANELS SUPPORTED DURING FASTENING. WHENEVER POSSIBLE, USE 2 PEOPLE FOR ASSEMBLY.

Lay RIGHT SIDE on a flat surface, protecting surface from scratches, as shown in FIG. D; CAM BOLTS FACING UP.

Align and attach FRONT and SHELF to RIGHT SIDE as shown. Tighten all CAMS

Align and attach LEFT SIDE to FRONT and SHELF as shown in FIG. E. Tighten all CAMS.

Using 2 people, stand unit upright onto sides as shown in FIG. F. NOTE: FRONT LABEL. Align and attach TOP to SIDES. Tighten CAMS.

Remove paper liner from adhesive on back of WRIST REST / PAPER STOP. Carefully align PAPER STOP along front edge of TOP - centering it from side to side. Press PAPER STOP onto TOP to secure.

