

Table Top Lectern

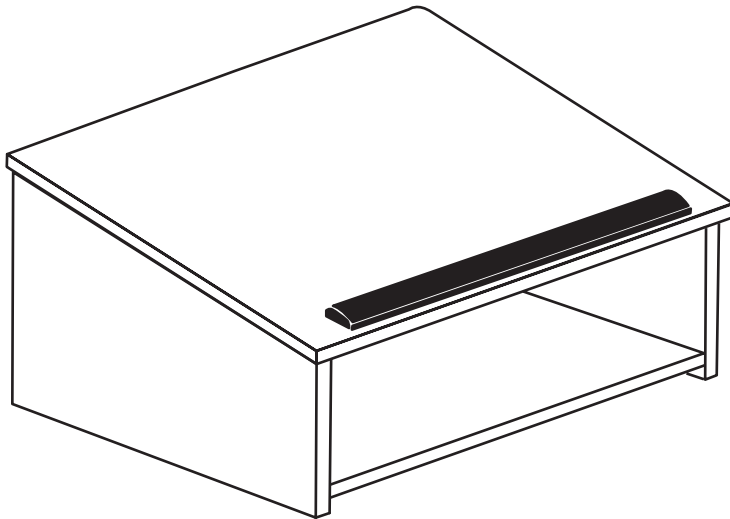
VF50058C (oak) • VF50059C (walnut) • VF50266C (mahogany)

Vertiflex
Products™

Assembly Instructions

www.advantus.com

904.482.0091



Assembly Preview

Use caution during assembly, unbanded edges can be sharp and may chip if mishandled

Remove staples (if any) from carton and use carton to set parts on during assembly

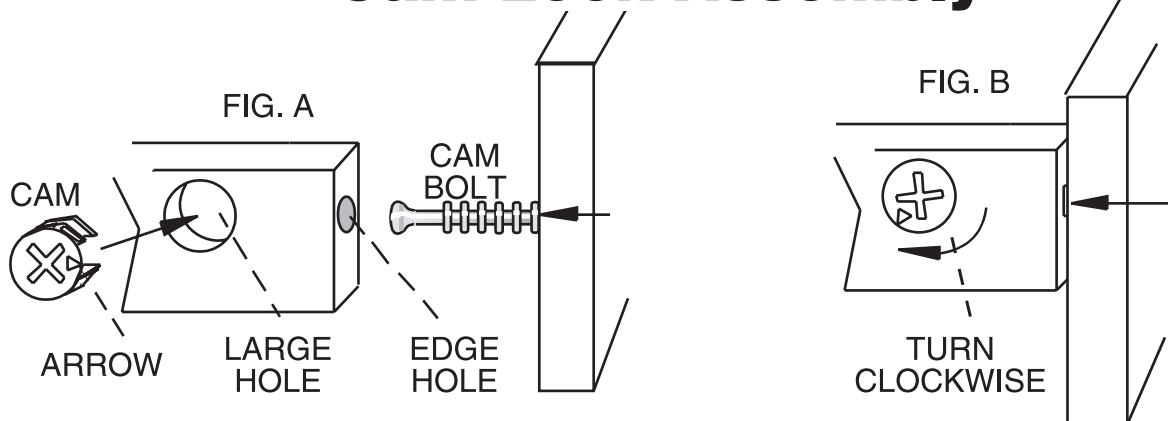
Page two of this instruction sheet contains an illustrated parts list and drawings of the screws and other hardware as an easy identification guide

Tools Required:

- #2 Phillips Screwdriver - Cam Bolt
- #6 Flat Screwdriver - Cam

POWER TOOLS ARE NOT RECOMMENDED

Cam Lock Assembly

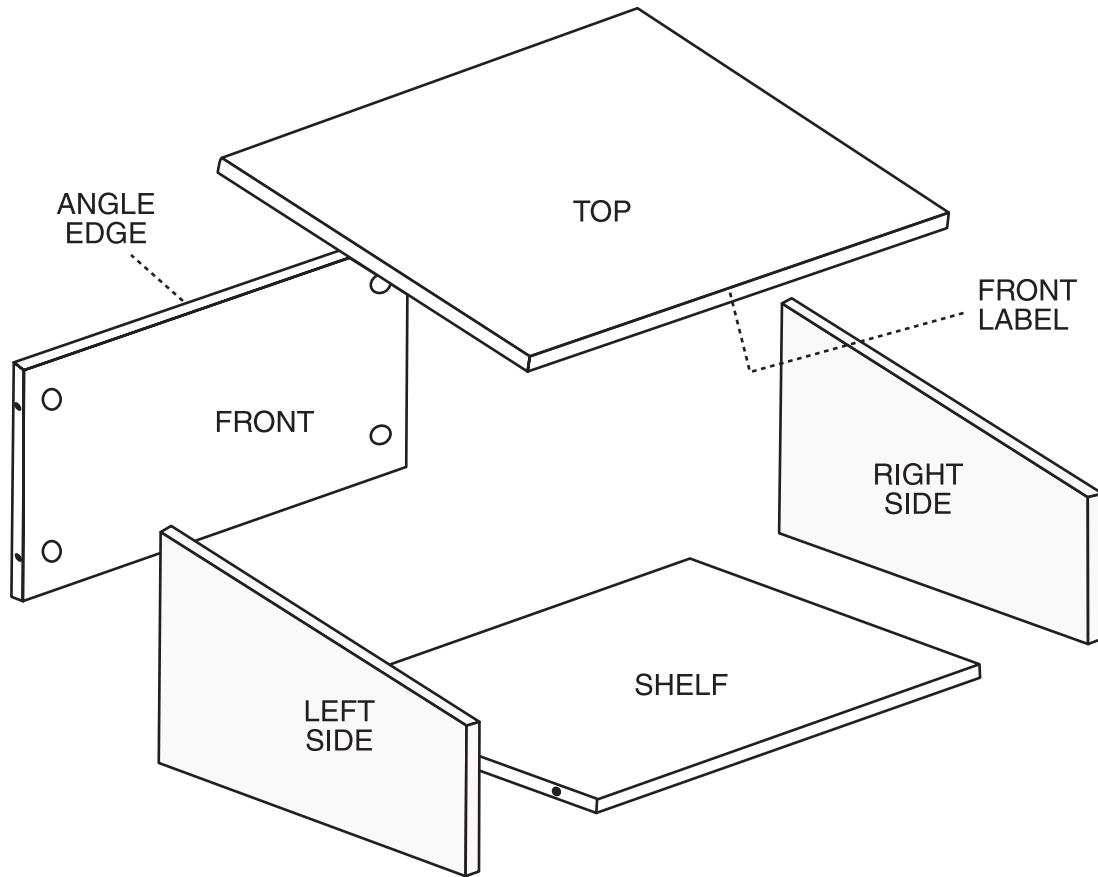


Insert CAM with arrow pointing to edge hole, into large hole in face of panel as shown in FIG. A

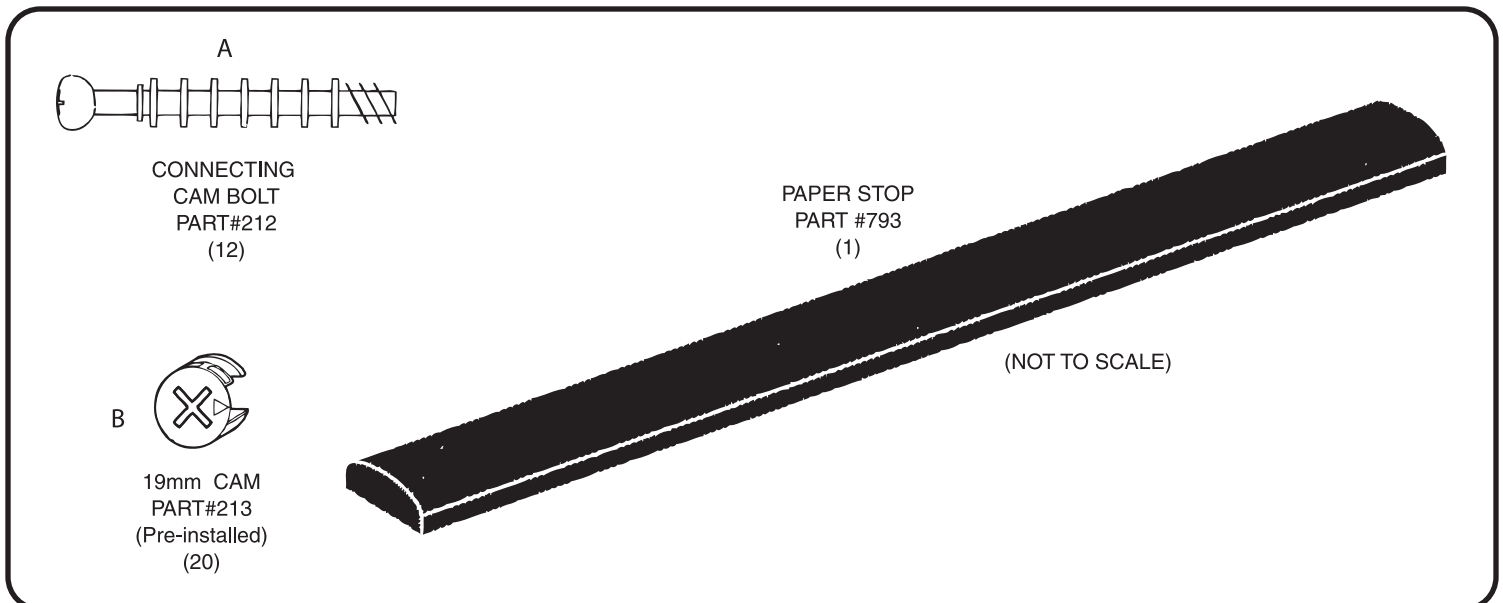
Fully insert CAM BOLT, installed on adjoining panel, into edge hole as shown in FIG. A and FIG. B

Turn CAM clockwise 1/3 rotation to lock panels together. FIG. B. For additional security, CAM may be turned another 1/4 turn

Hardware & Parts List



WOOD PART LIST		WOOD PART SIZES			WOOD PART NUMBERS BY COLOR		
QTY	NAME	WIDTH		LENGTH	GRAY	OAK	MAHOGANY
1	FRONT	21- 1/4"	X	12-13/16"	58COAK-FRONT	59CWAL-FRONT	119CMH-FRNT
1	LEFT SIDE	18- 1/2"	X	13"	58COAK-LSIDE	59CWAL-LSIDE	119CMH-LSID
1	RIGHT SIDE	18- 1/2"	X	13"	58COAK-RSIDE	59CWAL-RSIDE	119CMH-RSID
1	SHELF	16-3/4"	X	21-1/4"	58COAK-SHELF	59CWAL-SHELF	119CMH-SHLF
1	TOP	19-13/16"	X	23-3/4"	58COAK-TOP	59CWAL-TOP	119CMH-TOP



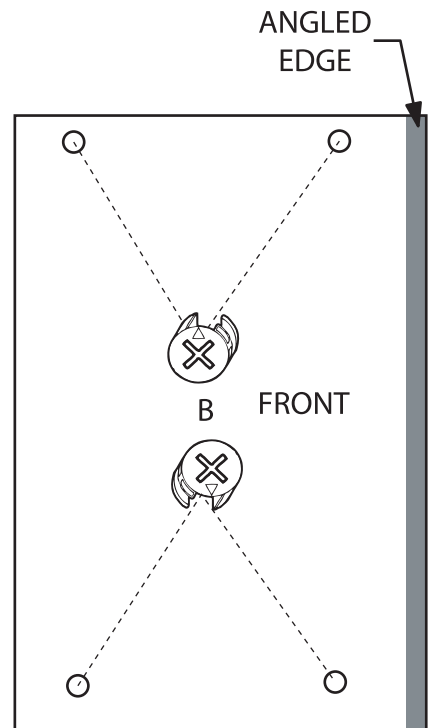
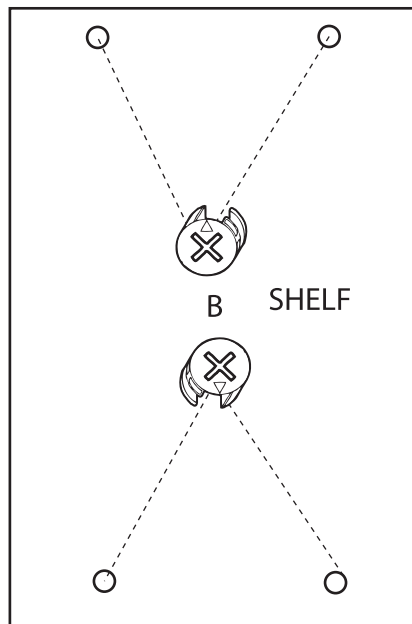
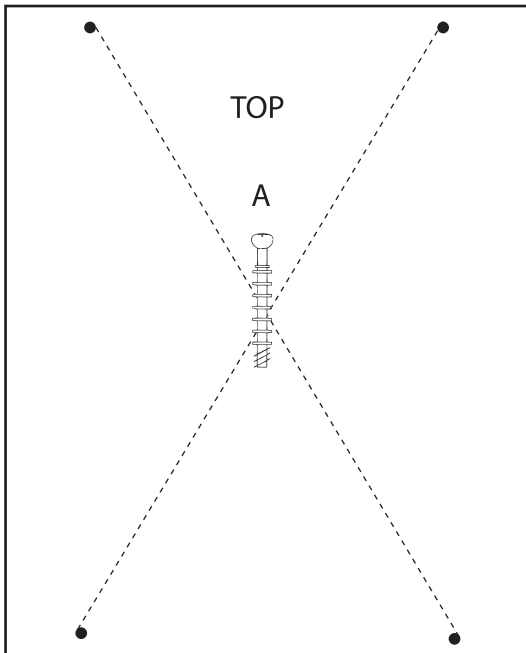
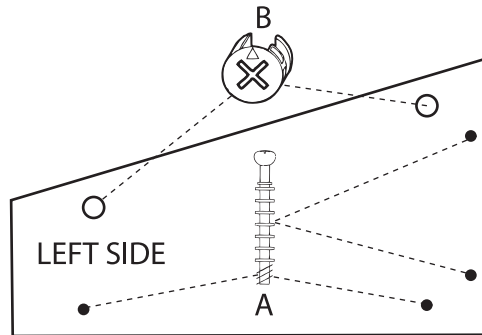
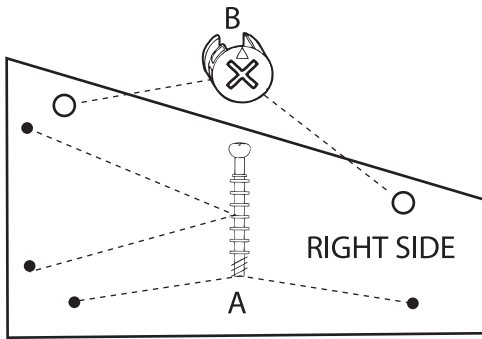
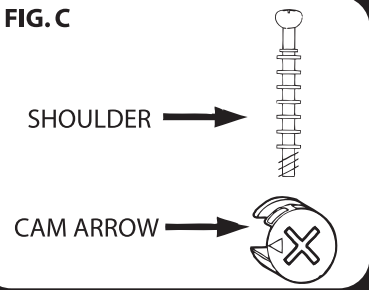
1

BEGIN ASSEMBLY BY INSTALLING HARDWARE AS SHOWN BELOW

The LETTERS next to the hardware shown refer to the same letters next to the hardware in the Parts List.

When installing CAM BOLTS be sure to tighten until shoulder rests on panel surface, as shown in FIG. C. Cams are inserted with CAM ARROWS pointing to the corresponding edge with the edge hole.

FIG. C



2 Assembly of Cabinet

NOTE: THE ARROW ON THE CAM MUST POINT TO THE CAM BOLT AS PANELS ARE ALIGNED FOR FASTENING. DO NOT PUT STRESS ON VERTICAL PANELS DURING ASSEMBLY. KEEP PANELS SUPPORTED DURING FASTENING. WHENEVER POSSIBLE, USE 2 PEOPLE FOR ASSEMBLY.

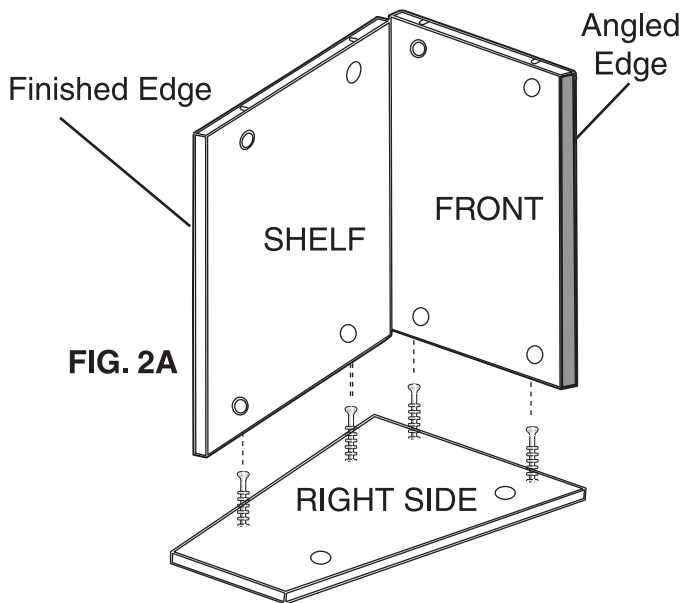


FIG. 2A

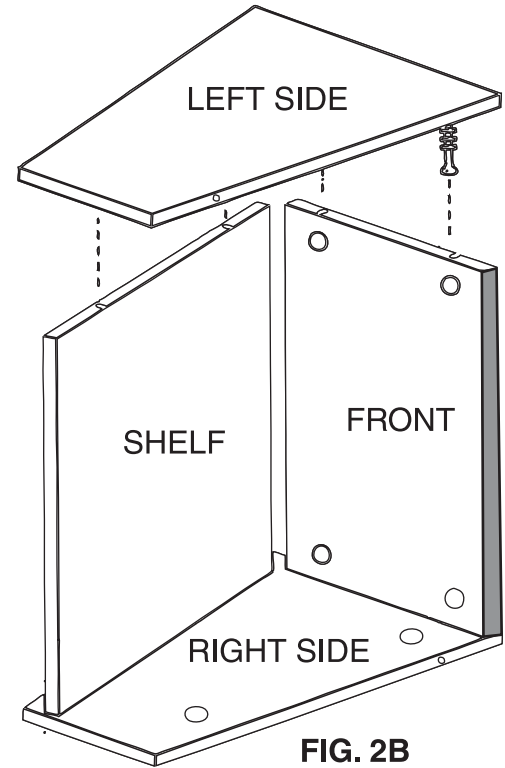


FIG. 2B

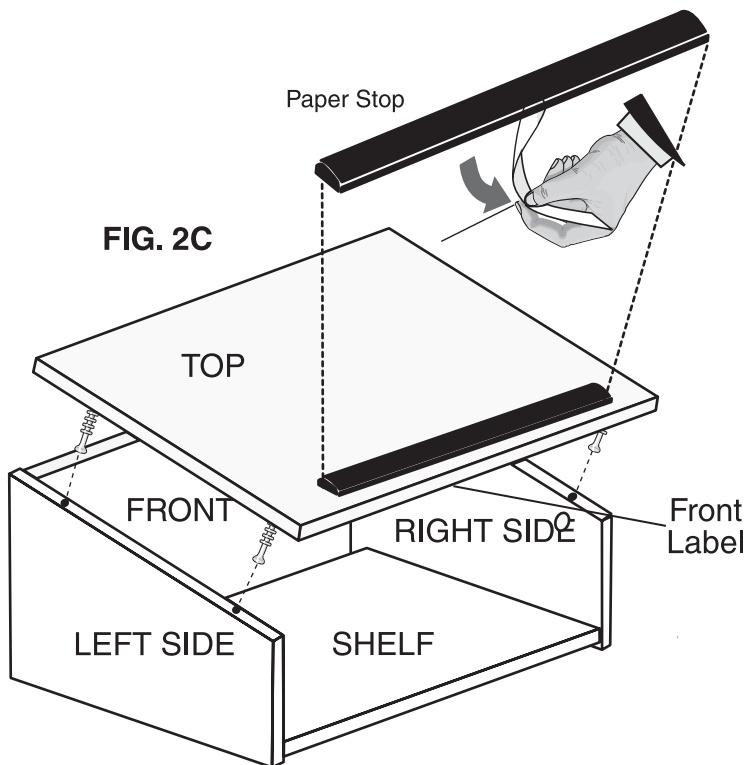


FIG. 2C

Lay RIGHT SIDE on a flat surface, protecting surface from scratches. NOTE: ALL CAMS face inside at this step except for shelf. Align and attach (1) SHELF with finished edge facing out. Tighten CAMS. Attach FRONT with ANGLED EDGE facing out as shown FIG. 2A. Tighten CAMS

Align and attach LEFT SIDE to SHELF and FRONT as shown FIG. 2A. Tighten CAMS

Attach TOP to LEFT and RIGHT SIDES as shown FIG. 2B. Tighten CAMS.

Remove paper liner from adhesive on back of PAPER STOP. Affix centered to front edge of TOP as shown FIG. 2C.

Place TABLE TOP LECTERN on table surface for use. OR install on top of AUDIO-VISUAL CART LECTERN BASE, MODEL #50060/50061/50267 if that product has been purchased.