

NOTES ON ASSEMBLY

Use CAUTION during assembly. Board edges can be sharp and may chip if mishandled.

Remove staples from carton and use carton to set parts on during

assembly. A WOOD BLOCK has been provided to use on edges that need to be hammered

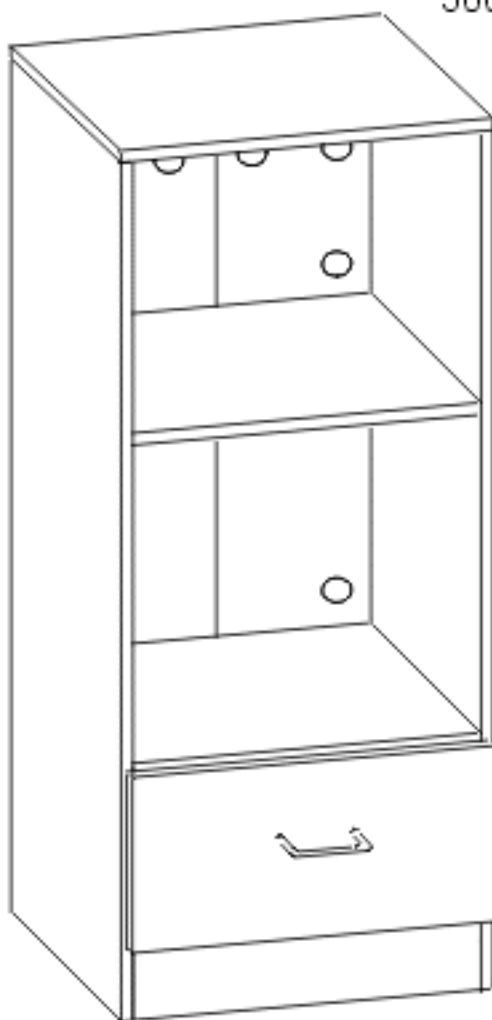
Page two of this instruction sheet contains an illustrated parts list and phone number to call in case

of missing hardware. The parts list also contains drawings of the screws and other hardware as an easy identification guide.

POWER TOOLS ARE NOT RECOMMENDED.

TOOLS REQUIRED

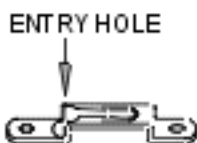
#2 PHILLIPS SCREWDRIVER
HAMMER



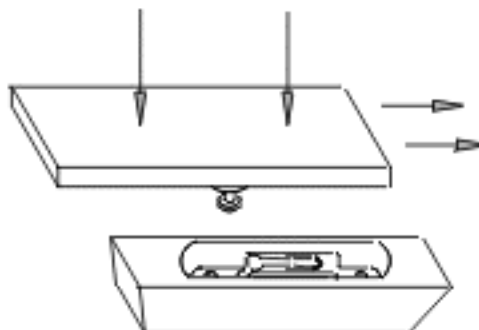
ASSEMBLY OF SLIPLOCK FASTENERS



SHOULDER
SCREW



ENTRY HOLE
MOD-EEZ CLIP



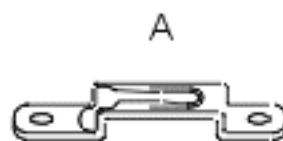
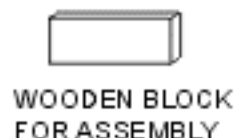
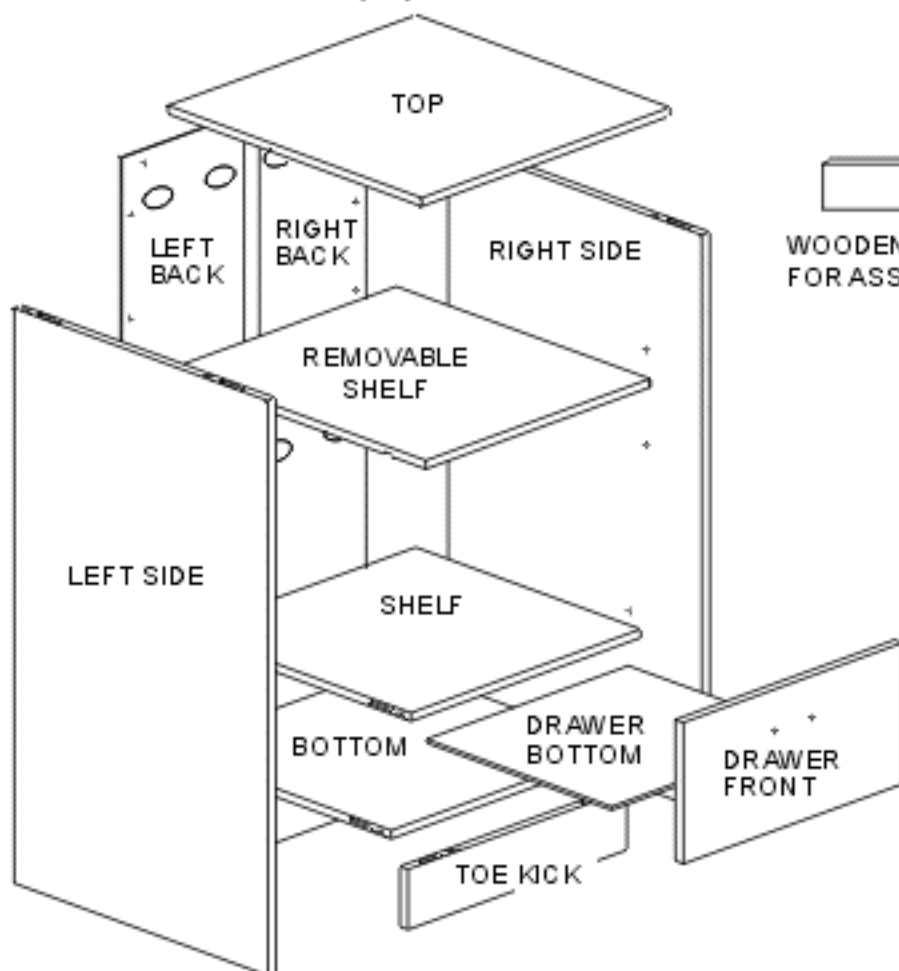
PANELS ARE LOCKED TOGETHER BY:

FIRST, ENGAGING THE SHOULDER SCREW ON ONE PANEL WITH THE MOD-EEZ CLIP ON THE PANEL TO BE JOINED.

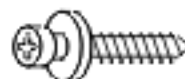
SECOND, HOLDING THE WOOD BLOCK ON THE EDGE OF THE DIRECTED PANEL, GENTLY HAMMER BLOCK FORCING SHOULDER SCREW TO SLIDE INTO LOCKED POSITION.

1 PARTS LIST

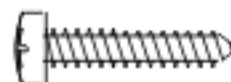
If any parts are missing OR you have questions about assembly, PLEASE CALL CUSTOMER SERVICE 1 (800) 966-5511 MONDAY-FRIDAY 8AM TO 5 PM (Pacific)



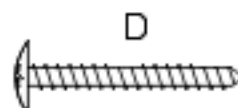
MOD-EEZ CLIPS
PART # 4063A
(14 REQ'D)



SHOULDER SCREWS
PART # 1165
(14 REQ'D)

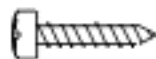


#10 x 1"
PPH SCREWS
PART #10X1 PPHAZINC
(28 REQ'D)



#8 X 1 1/8" TRUSS
HEAD SCREWS
PART # 8X11/8P HTRAZI
(2 REQ'D)

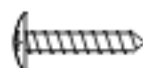
NO.	WOOD PART LIST	WOOD PART SIZES		PART NUMBERS (OAK)
1	Bottom	3/4" x 19-1/2"	x 22-1/8"	730AK-BOTTOM
1	Drawer Bottom	1/8" x 15-5/8"	x 21-3/8"	730AK-DW/RBTM
1	Drawer Front	3/4" x 11"	x 22-7/8"	730AK-DW/RFRNT
1	Left Back	1/8" x 11-3/4"	x 50-1/8"	730AK-LTBACK
1	Left Side	3/4" x 19-1/2"	x 53-3/4"	730AK-LSIDE
1	Right Back	1/8" x 11-3/4"	x 50-1/8"	730AK-RTBACK
1	Removable Shelf	3/4" x 19-1/2"	x 22-1/16"	730AK-RSHELF
1	Right Side	3/4" x 19-1/2"	x 53-3/4"	730AK-RSIDE
1	Shelf	3/4" x 19-1/2"	x 22-1/8"	730AK-SHELF
1	Toe Kick	3/4" x 4-1/4"	x 22-1/8"	730AK-THCK
1	Top	3/4" x 19-1/2"	x 23-3/4"	730AK-TOP



#6 x 5/8"
PPH SCREW
PART #6X5/8 PPHAZINC
(8 REQ'D)



5MM SHELF PIN
PART # 132
(4 REQ'D)



TRUSS HEAD SCREW
PART # #6X5/8 TRUS
(22 REQ'D)



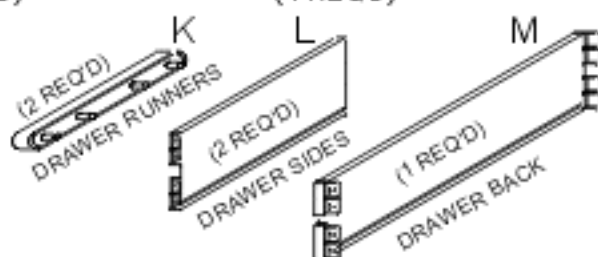
RECTANGULAR TACK GLIDE
PART # 162-NE-8113
(4 REQ'D)



BLACK PLASTIC 98MM HANDLE
PART # 116.56.303
(1 REQ'D)



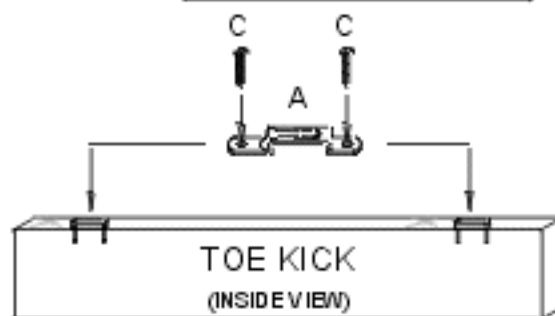
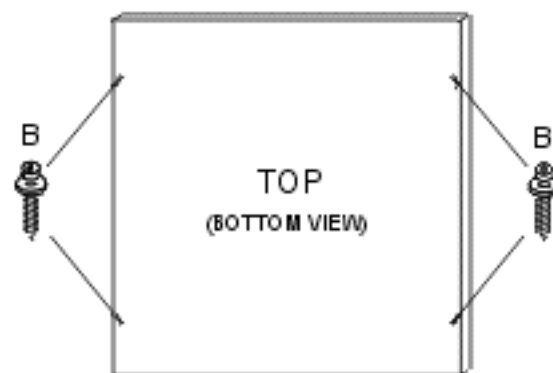
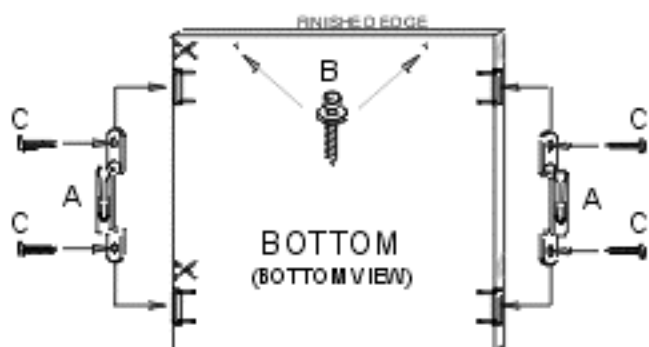
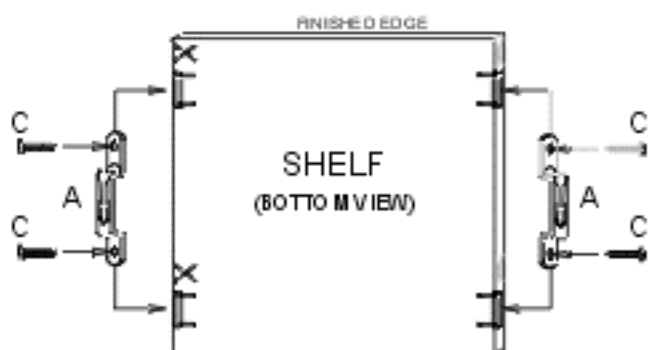
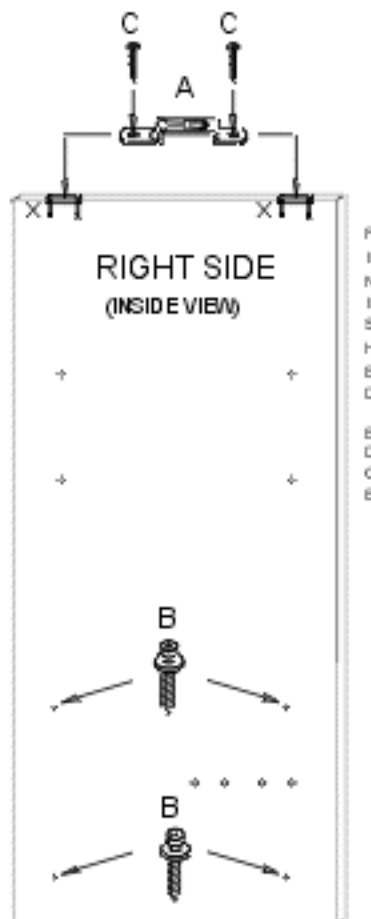
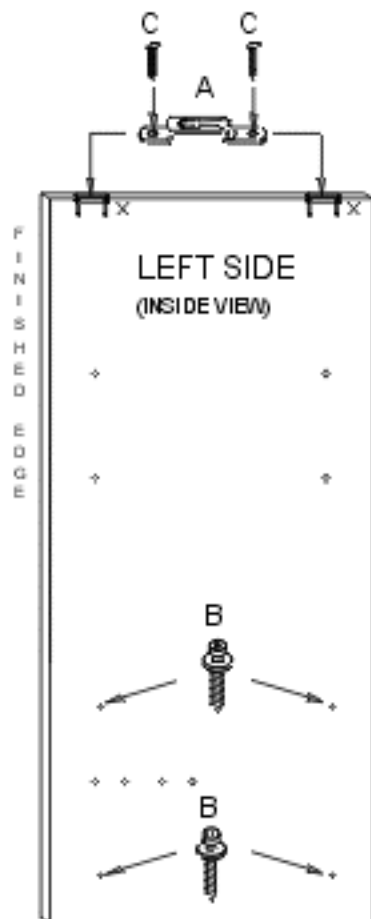
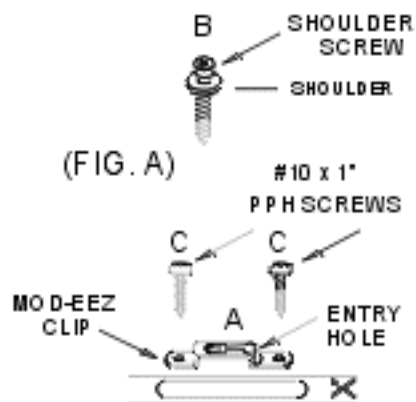
FASCIA
(2 REQ'D)



BROWN 180MM PLASTIC DRAWER WITH RUNNERS
DRAWER ASSEMBLY PART # DS18022.125X8R (1 REQ'D)

2 BEGIN ASSEMBLY BY INSTALLING HARDWARE AS SHOWN BELOW.

When inserting MOD-EEZ CLIPS keep entry hole of clip pointing toward stamped X on panel. Fasten each clip using (2) #10 x 1" PPH SCREWS. When installing SHOULDER SCREWS be sure to tighten until shoulder rests on panel surface (FIG. A). The LETTERS next to the hardware shown refer to the same LETTERS next to the hardware in the PARTS LIST.



ASSEMBLY OF CABINET

3

Engage the (2) CLIPS in the edge of the TOE KICK onto the (2) SHOULDER SCREWS on the bottom face of the BOTTOM. With CLIPS engaged and using WOOD BLOCK, hammer TOE KICK until flush to edges of BOTTOM (Fig.1).

FIG.1

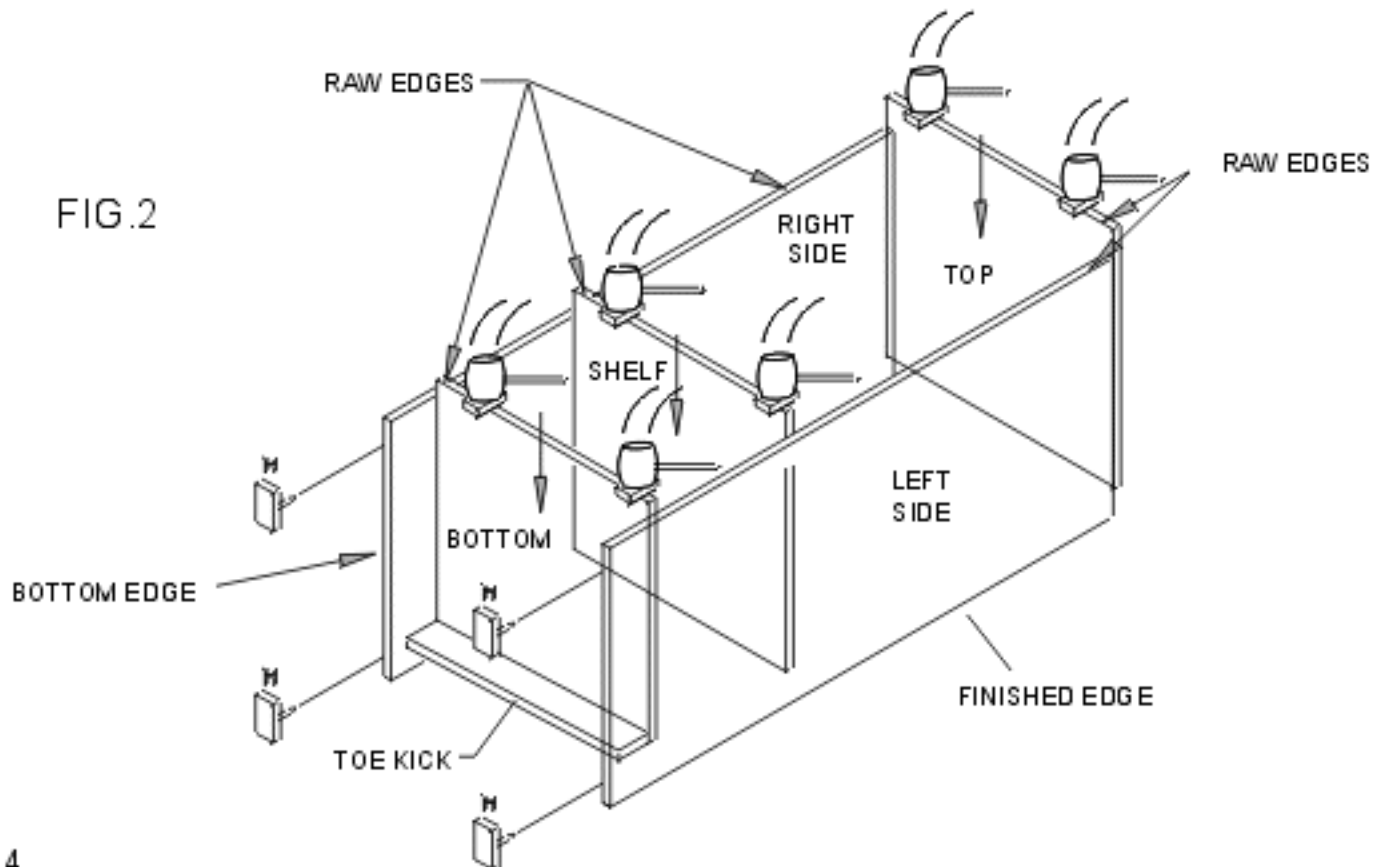


4

With the RAW EDGES as shown (FIG.2) and TOE KICK facing bottom of unit, engage the (4) CLIPS in the edges of the BOTTOM and SHELF onto the (4) SHOULDER SCREWS on the face of the RIGHT SIDE. Engage the (4) CLIPS in the opposite edges of the BOTTOM and SHELF onto the (4) SHOULDER SCREWS on the face of the LEFT SIDE (FIG.2). With CLIPS engaged and using WOOD BLOCK, hammer down BOTTOM and SHELF until the RAW EDGES are flush to the RAW EDGES of SIDES.

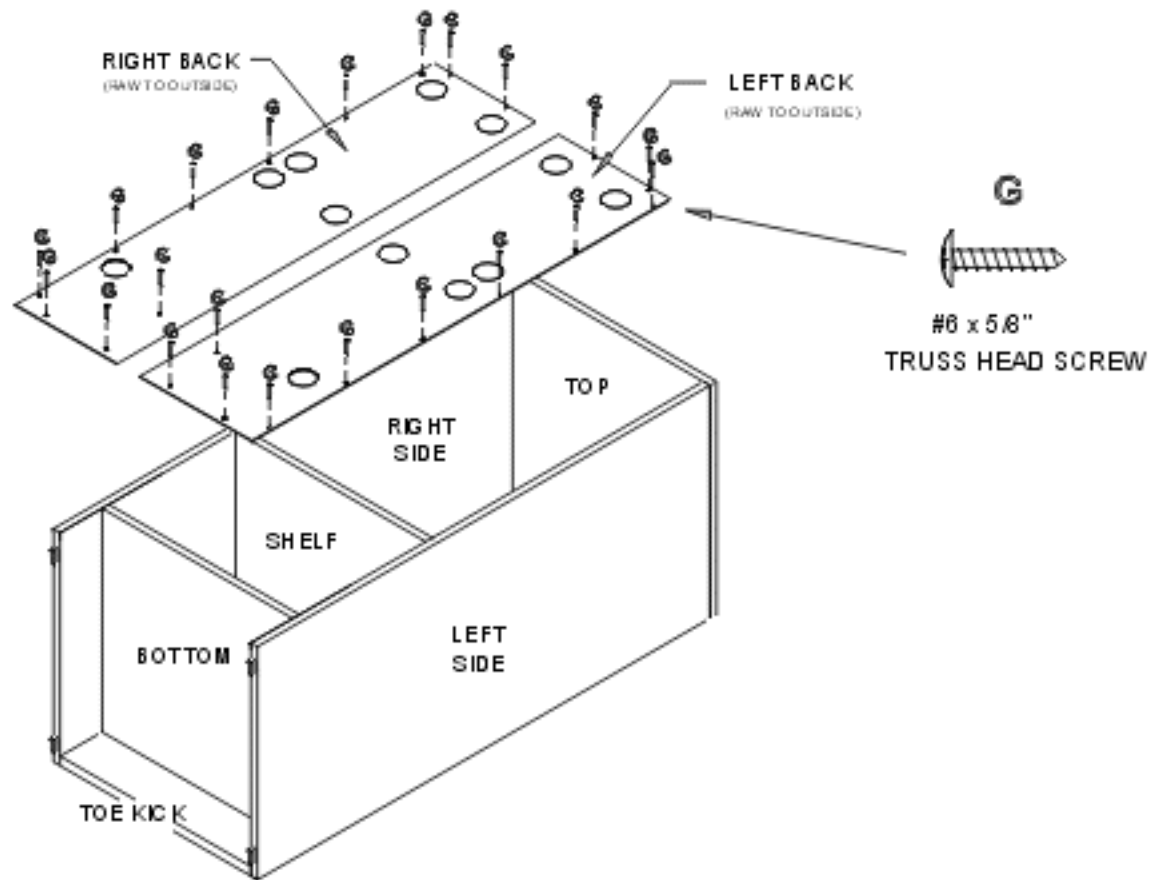
With RAW EDGE on TOP PANEL as shown (FIG.2), engage the (4) SHOULDER SCREWS on the bottom face of the TOP into the (4) CLIPS in the top edges of the LEFT and RIGHT SIDES. With CLIPS engaged and using WOOD BLOCK, hammer down TOP until the RAW EDGE is flush to RAW EDGES of SIDES (FIG.2). Lightly tap in (4) RECTANGULAR TACK GLIDES (H) into the bottom edges of the LEFT and RIGHT SIDES (FIG.2).

FIG.2



- 5** Align LEFT and RIGHT BACKS, 1/16" down from top edge of TOP and 1/16" inset from outer edges of SIDES with raw side to the outside (FIG.3). Fasten BACKS to TOP & SIDES with (22) #6 x 5/8" TRUSS HEAD SCREWS (G), keeping inset even to square up unit. (Fig. 3) With BACKS attached, carefully stand unit up onto PLASTIC GLIDES.

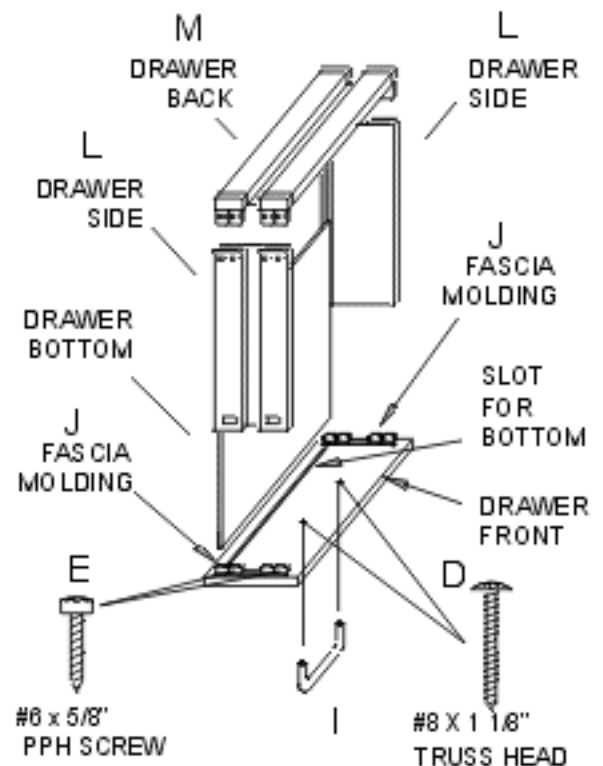
FIG. 3



- 6** DIRECTIONS FOR PLASTIC DRAWER ASSEMBLY (FIG. 4)

FIG. 4

1. Attach (2) FASCIA MOLDINGS (J) to DRAWER FRONT using (8) #6 x 5/8" PPH SCREWS (E). Notch in FASCIA will align with SLOT in DRAWER FRONT. (Notches face inside of DRAWER FRONT)
2. Insert DRAWER BOTTOM into DRAWER FRONT SLOT and snap on one DRAWER SIDE (L) to FASCIA MOLDING (J), make sure DRAWER BOTTOM is in SLOT in DRAWER SIDE.
3. Align DRAWER BOTTOM into SLOT of other DRAWER SIDE (L) and snap into FASCIA MOLDING (J).
4. Align tabs on DRAWER BACK into top ends of both DRAWER SIDES. Make sure drawer bottom SLOT in DRAWER BACK (M) is aligned with DRAWER BOTTOM before snapping DRAWER BACK onto SIDES (L).
5. Attach DRAWER HANDLE (I) to DRAWER FRONT using (2) #8 x 1-1/8" TRUSS HEAD SCREWS (D), using holes provided.



7

Lightly tap plastic DRAWER RUNNERS (K) into holes provided in LEFT and RIGHT SIDES (FIG.5). Align plastic SIDES on DRAWER ASSEMBLY onto the DRAWER RUNNERS on the LEFT and RIGHT SIDES and slide DRAWER into cabinet (FIG.5).

Insert (4) SHELF PINS (F) into the (4) holes on the inside faces of SIDES, above SHELF. Insert the REMOVABLE SHELF, so routes set on top of SHELF PINS. (FIG 5)

FIG. 5

