

Vertiflex™ Products

58" WIDE ORGANIZER

ASSEMBLY INSTRUCTIONS

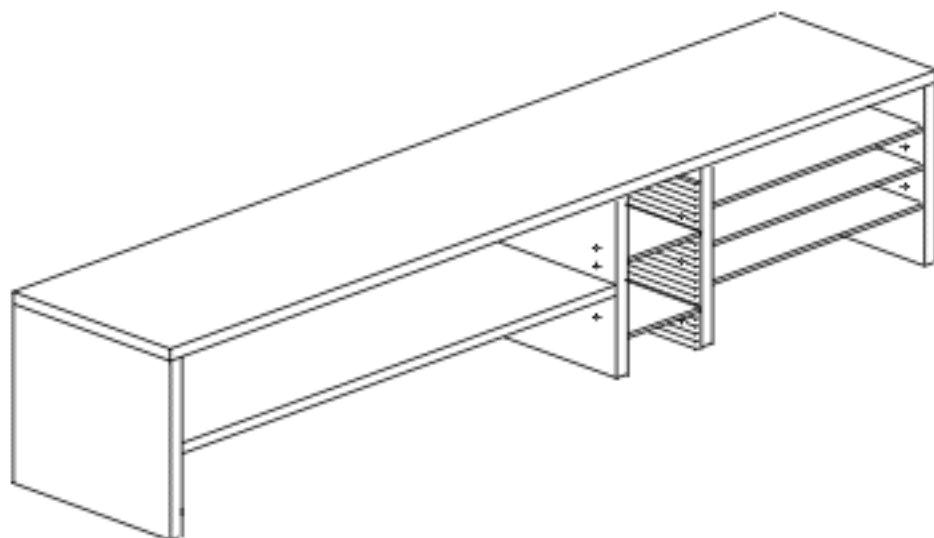
50095 OAK

NOTES ON ASSEMBLY

Use CAUTION during assembly. Board edges can be sharp and may chip if mishandled.

Remove staples from carton and use carton to set parts on during assembly. A WOOD BLOCK has been provided to use on edges that need to be hammered.

Page two of this instruction sheet contains an illustrated parts list and phone number to call in case of missing hardware. The parts list also contains drawings of the screws and other hardware as an easy identification guide.



TOOLS REQUIRED

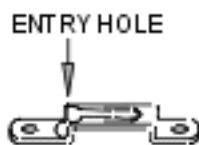
#2 PHILLIPS SCREWDRIVER
HAMMER

POWER TOOLS ARE
NOT RECOMMENDED.

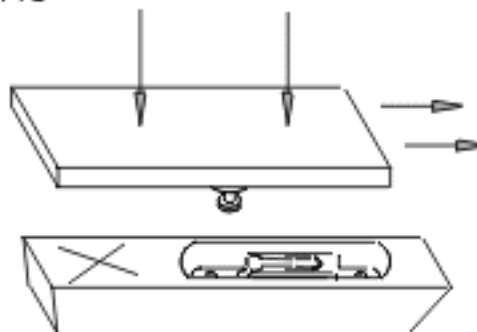
ASSEMBLY OF SLIPLOCK FASTENERS



SHOULDER
SCREW



MOD-EEZ CLIP



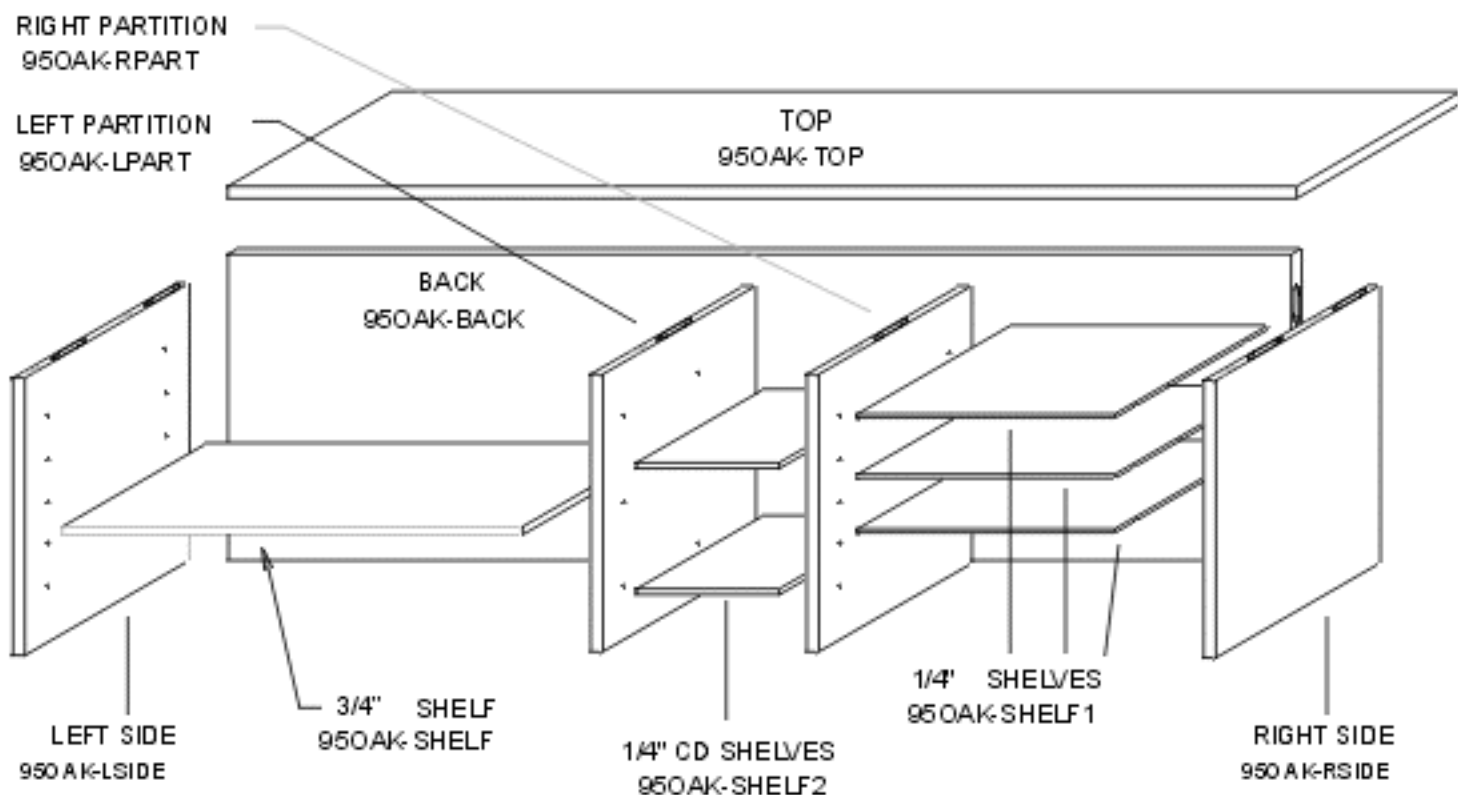
PANELS ARE LOCKED TOGETHER BY:

FIRST, ENGAGING THE SHOULDER SCREW ON ONE PANEL WITH THE MOD-EEZ CLIP ON THE PANEL TO BE JOINED.

SECOND, HOLDING THE WOOD BLOCK ON THE EDGE OF THE DIRECTED PANEL, GENTLY HAMMER BLOCK FORCING SHOULDER SCREW TO SLIDE INTO LOCKED POSITION.

1 PARTS LIST

If any parts are missing OR you have questions about a ssembly, PLEASE CALL
 CUSTOMER SERVICE 1 (800)966-5511 MONDAY-FRIDAY 8 AM TO 4:30PM (Central)



A



#10 x 1
 PPH SCREWS
 PART # 429
 (28 REQ'D)

B



SHOULDER
 SCREWS
 PART # 422
 (14 REQ'D)

C



MOD-EEZ
 CLIPS
 PART # 779
 (14 REQ'D)

D



SHELF
 PINS
 PART # 132
 (16 REQ'D)

E



#5 x 5/8
 PFH SCREW
 PART # 804
 (12 REQ'D)

F



LEFT
 PLASTIC
 CD HOLDER
 (1 REQ'D)

G



RIGHT
 PLASTIC
 CD HOLDER
 (1 REQ'D)

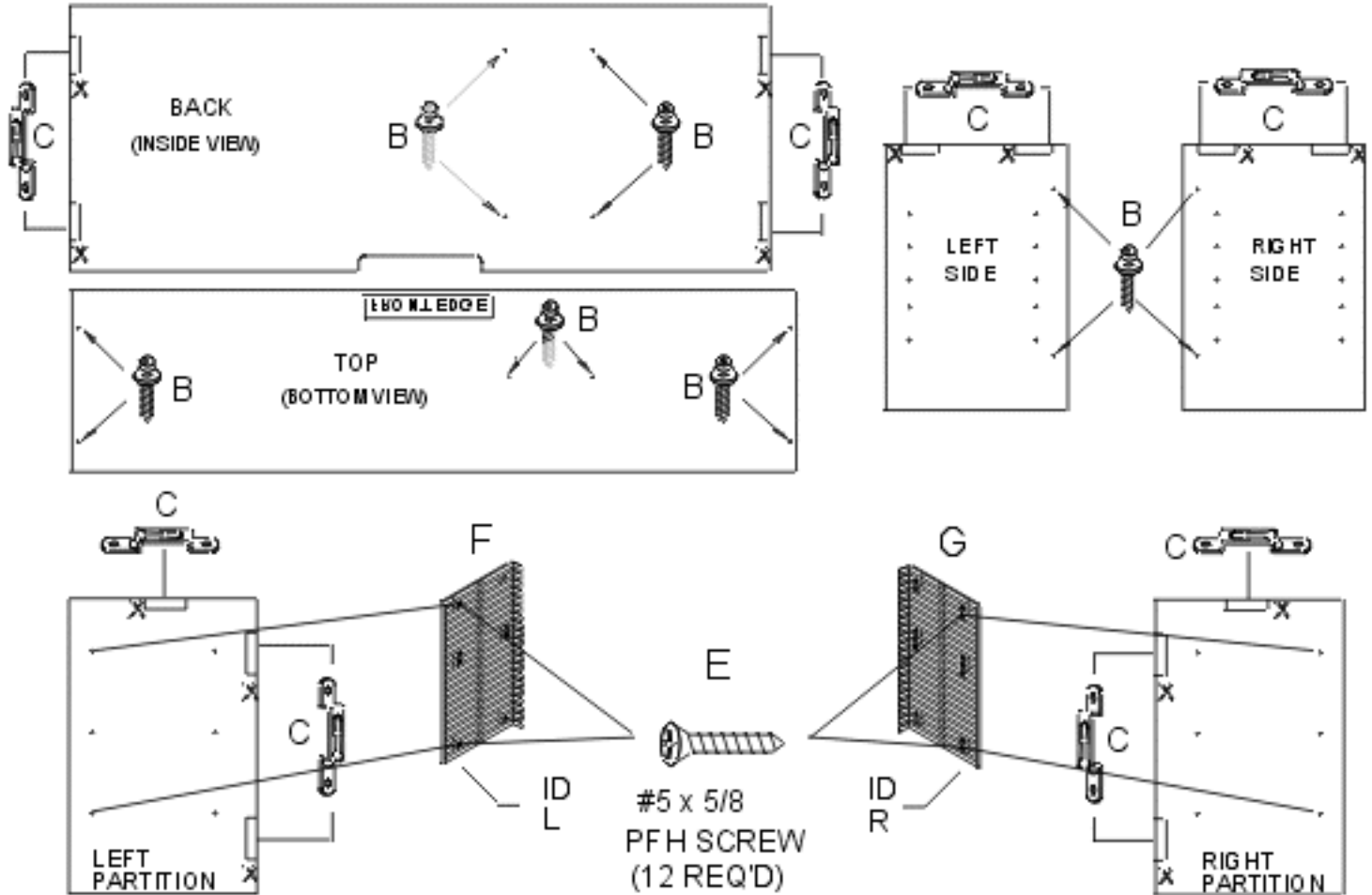
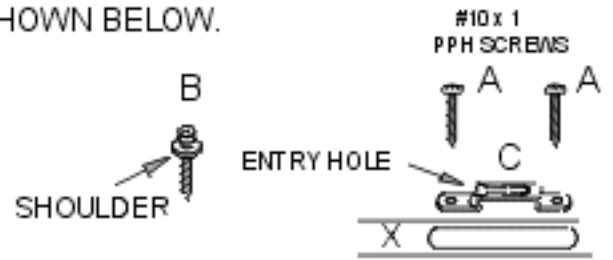
(1 SET)
 PART # 282



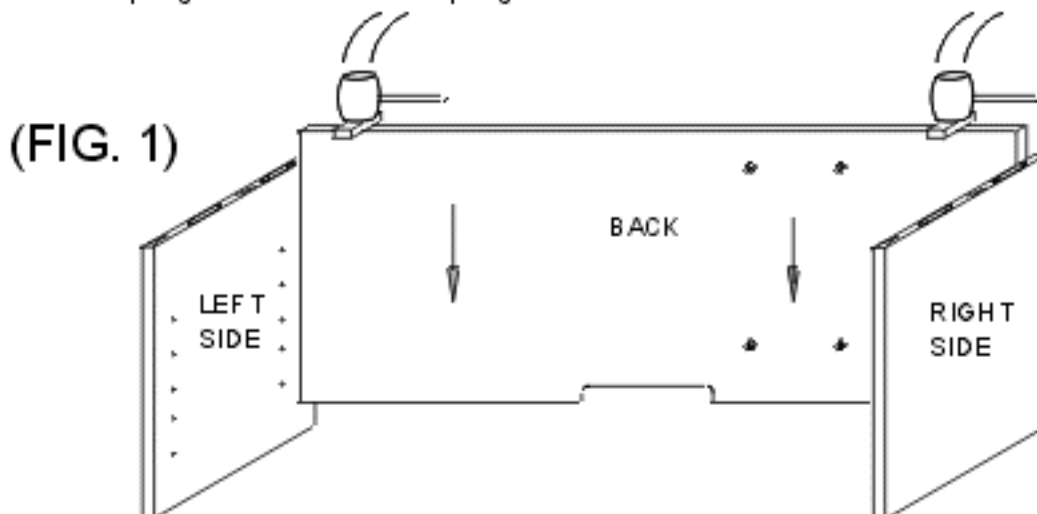
WOODEN BLOCK
 FOR ASSEMBLY

2 BEGIN ASSEMBLY BY INSTALLING HARDWARE AS SHOWN BELOW.

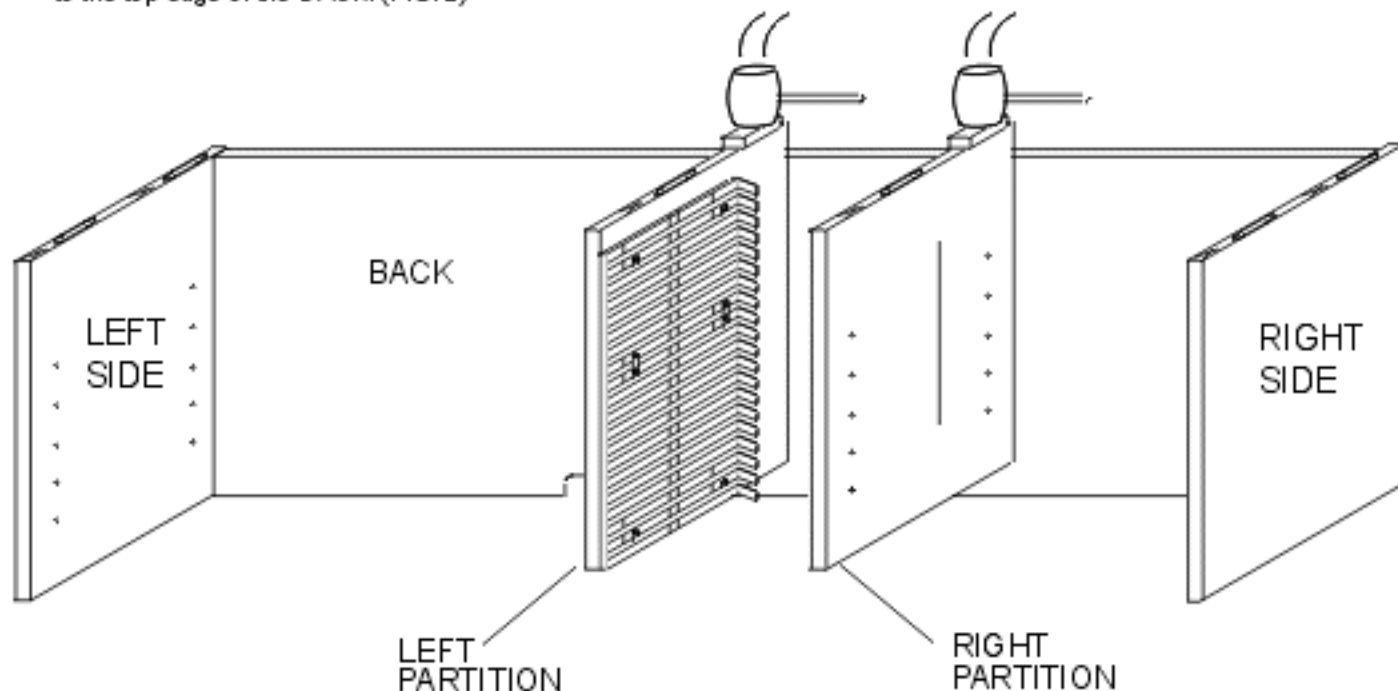
When inserting MOD-EEZ clips, keep entry hole of clip pointing toward stamped X on panel. Fasten clips using #10 x 1" pph screws. When installing shoulder screws, be sure to tighten until shoulder rests on panel surface.



3 Engage the FOUR CLIPS in the edges of the BACK onto the FOUR SHOULDER SCREWS on the faces of the LEFT & RIGHT SIDES (BE SURE TO KEEP THE SHOULDER SCREWS ON THE FACE OF THE BACK TO THE INSIDE OF ORGANIZER). With clips engaged, hammer down using WOOD BLOCK until top edge of BACK is flush to top edges of SIDES.

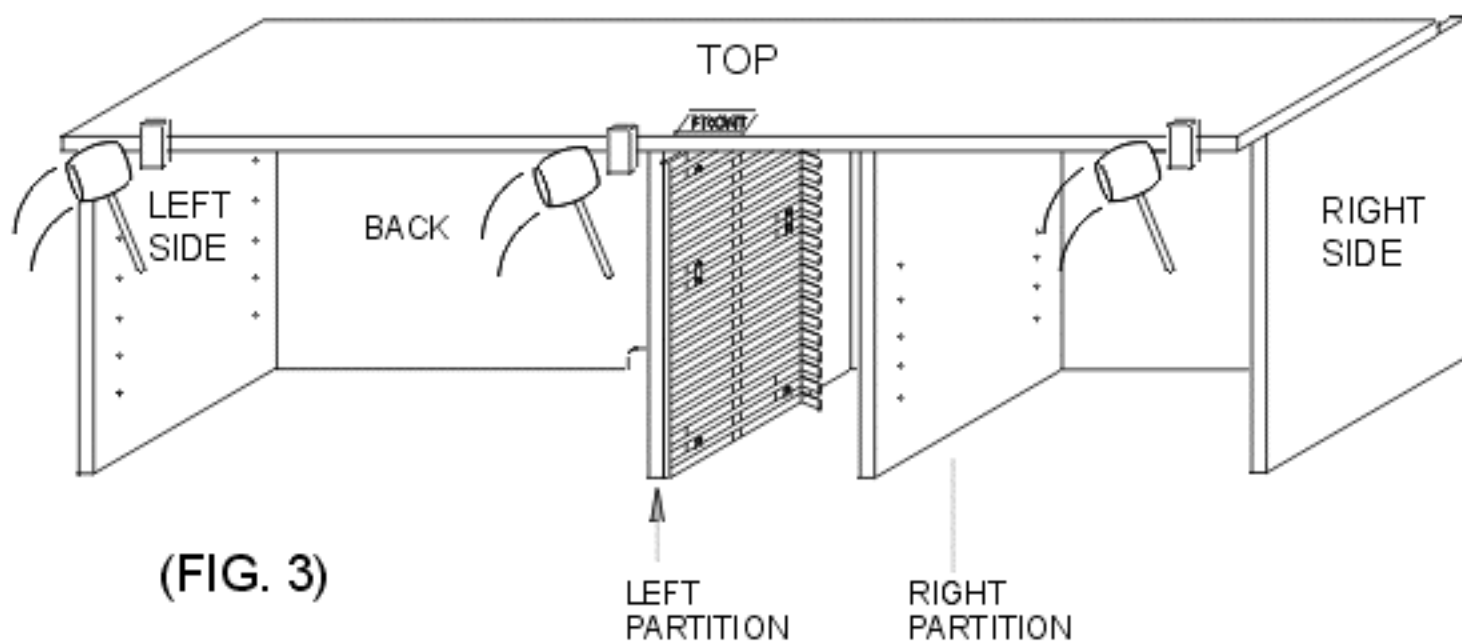


- 4** Engage the **FOUR CLIPS** in the long edges of the **LEFT & RIGHT PARTITIONS** onto the **FOUR SHOULDER SCREWS** on the face of the **BACK** (NOTE CD RACKS LOCATION). With **CLIPS** engaged, use **WOOD BLOCK** and hammer down until the top edges of the **PARTITIONS** are flush to the top edge of the **BACK**. (FIG. 2)



(FIG. 2)

- 5** Set top onto unit, NOTE **FRONT STICKER**, so all **SIX SHOULDER SCREWS** engage into all **SIX CLIPS** in the top edges of the **SIDES** and **PARTITIONS**. With **SHOULDER SCREWS** engaged into **CLIPS**, use **WOOD BLOCK** and hammer **TOP** toward **BACK** until flush with front edges of **SIDES** (FIG. 3). Insert (16) **SHELF PINS** into desired holes for **SHELF** locations and insert **SHELVES**. Insert **1/4" CD SHELVES** into slots desired.



(FIG. 3)