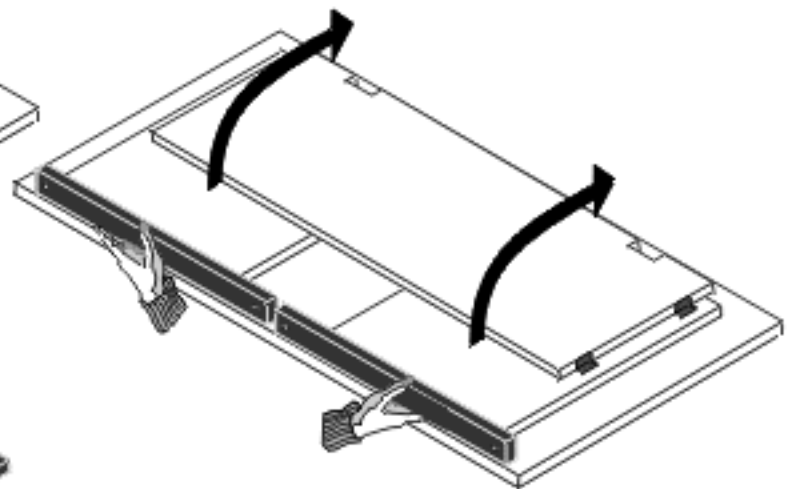


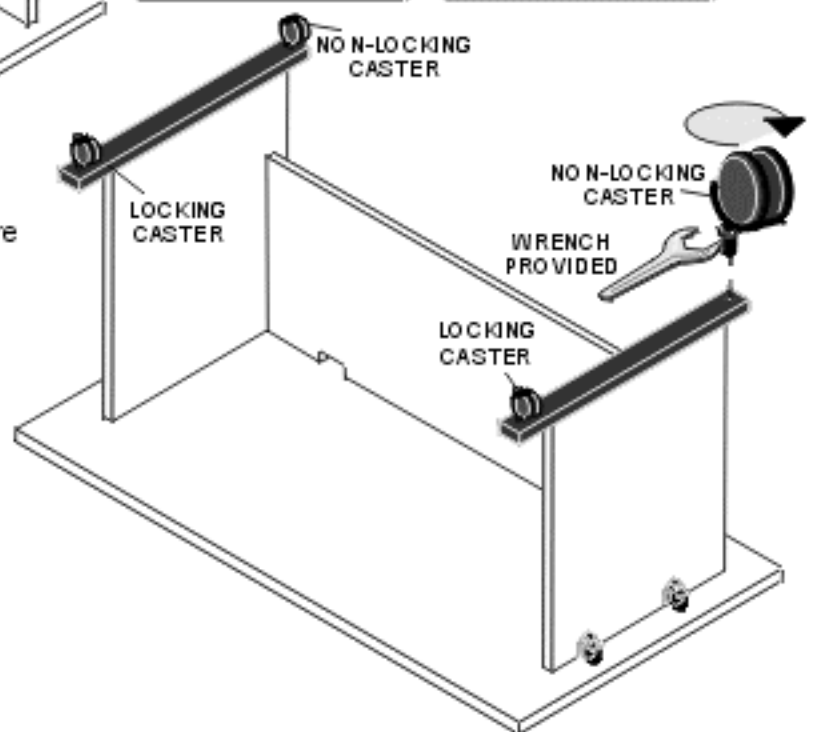
1 Leave product on box or other non-scratch surface for assembly. Remove **ADJUSTABLE SHELF** and set aside for later installation.

2 Open **SIDES** and **BACK** by lifting metal leg supports.



3 Open **SIDES**. Check alignment of **CLIPS** to **POSTS** to insure no twisting of **CLIP** occurred during shipping. **"CLICK"** **CLIPS** onto **POSTS** to secure.

4 Install **CASTERS** into threaded holes in metal leg supports. **NON-LOCKING CASTERS** to rear (near **BACK**) **LOCKING CASTERS** to front. Tighten with **WRENCH PROVIDED**.



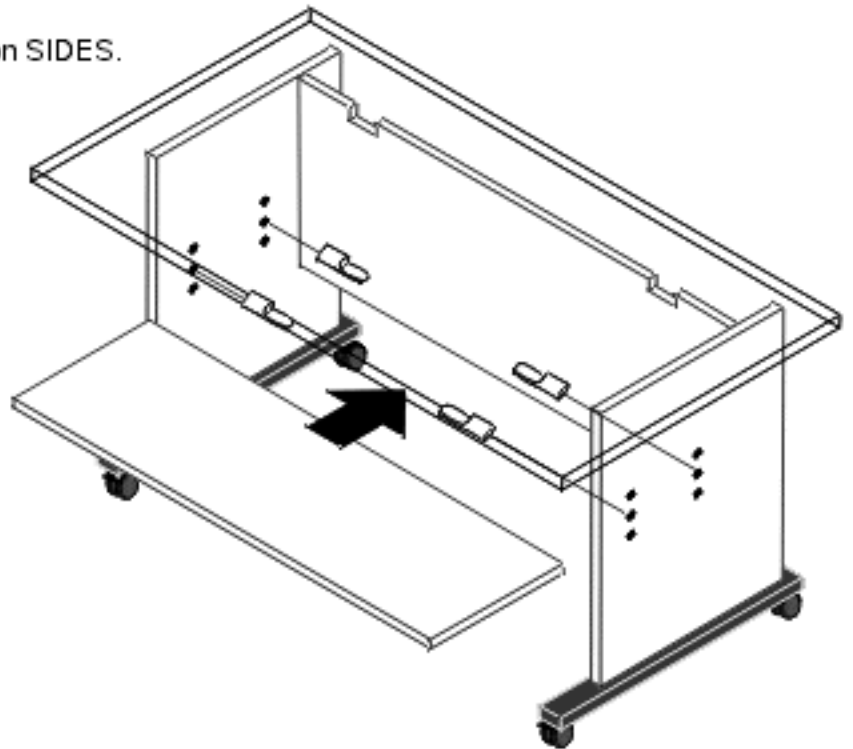


PRINTER STAND
MODEL #5030

TABLE
MODEL #5010

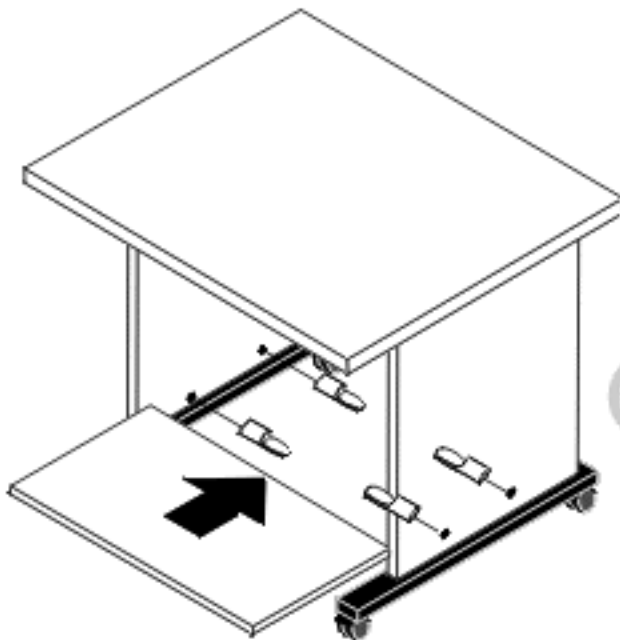
TABLE ONLY

- 5** Install (2) SHELF PINS at selected level on SIDES.
Install adjustable shelf onto PINS.

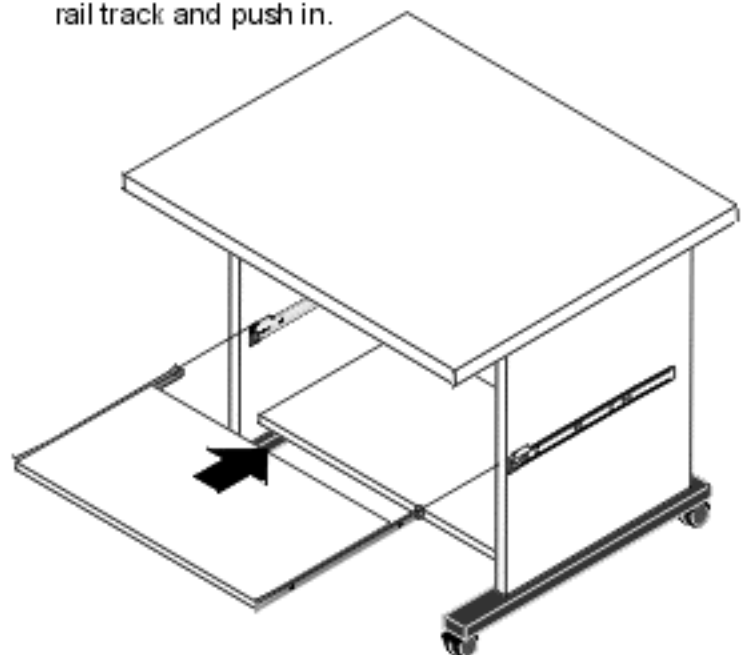


PRINTER STAND ONLY

- 6** Install (2) SHELF PINS at pre-drilled holes near metal leg supports on SIDES.
Install adjustable shelf onto PINS.



- 7** Install printer shelf onto pre-mounted rails on upper portion of SIDES. Position WHEELS on printer shelf above and behind WHEELS on cabinet. Drop WHEELS into cabinet rail track and push in.



CONTACT US

If you have questions about assembly, please call CUSTOMER SERVICE
1-800-966-5511 Monday - Friday 8am. TO 4:30pm. (Central)