

ASSEMBLY INSTRUCTIONS

FCB30CGY GRAY

FCB30COK OAK

50119CMAH MAHOGANY

### NOTES ON ASSEMBLY

- Use caution during assembly, unbanded edges can be sharp and may chip if mishandled.
- Remove staples, (if any) from carton and use carton to set parts on during assembly.
- Page two of this instruction sheet contains an illustrated parts list and phone number to call in case of missing hardware. The parts list also contains drawings of the screws and other hardware as an easy identification guide.

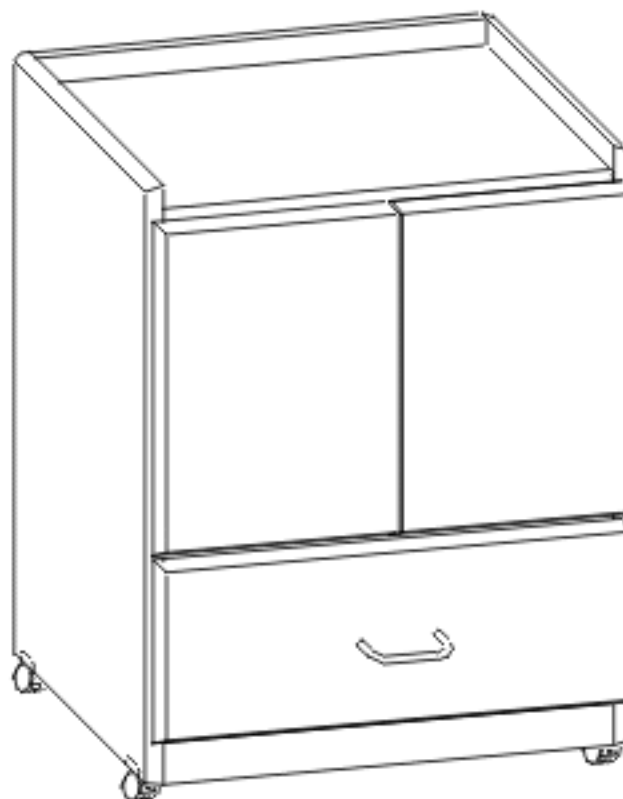
### TOOLS REQUIRED

#2 PHILLIPS SCREWDRIVER – CAM BOLT

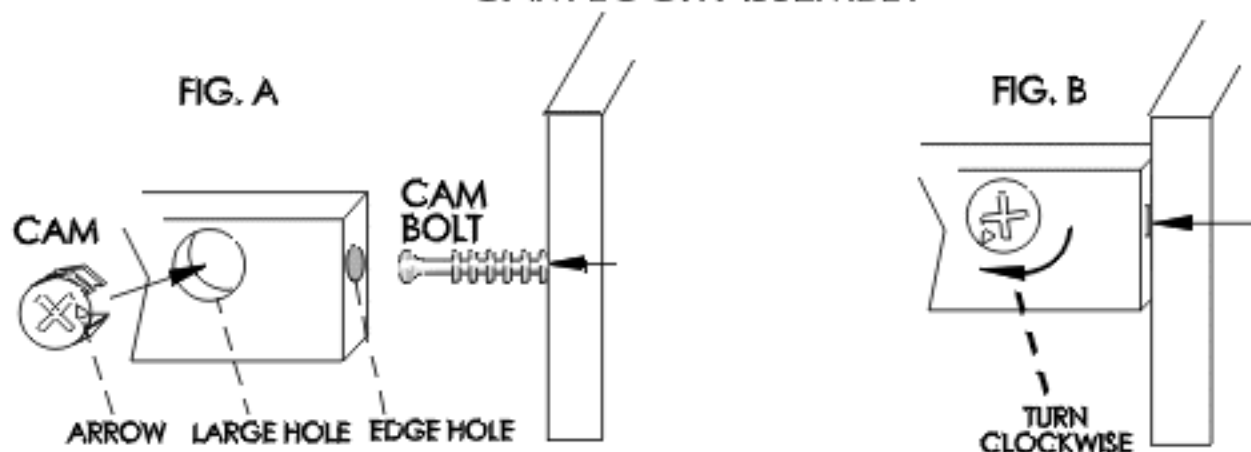
#6 FLAT SCREWDRIVER – CAM

HAMMER

POWER TOOLS ARE NOT RECOMMENDED



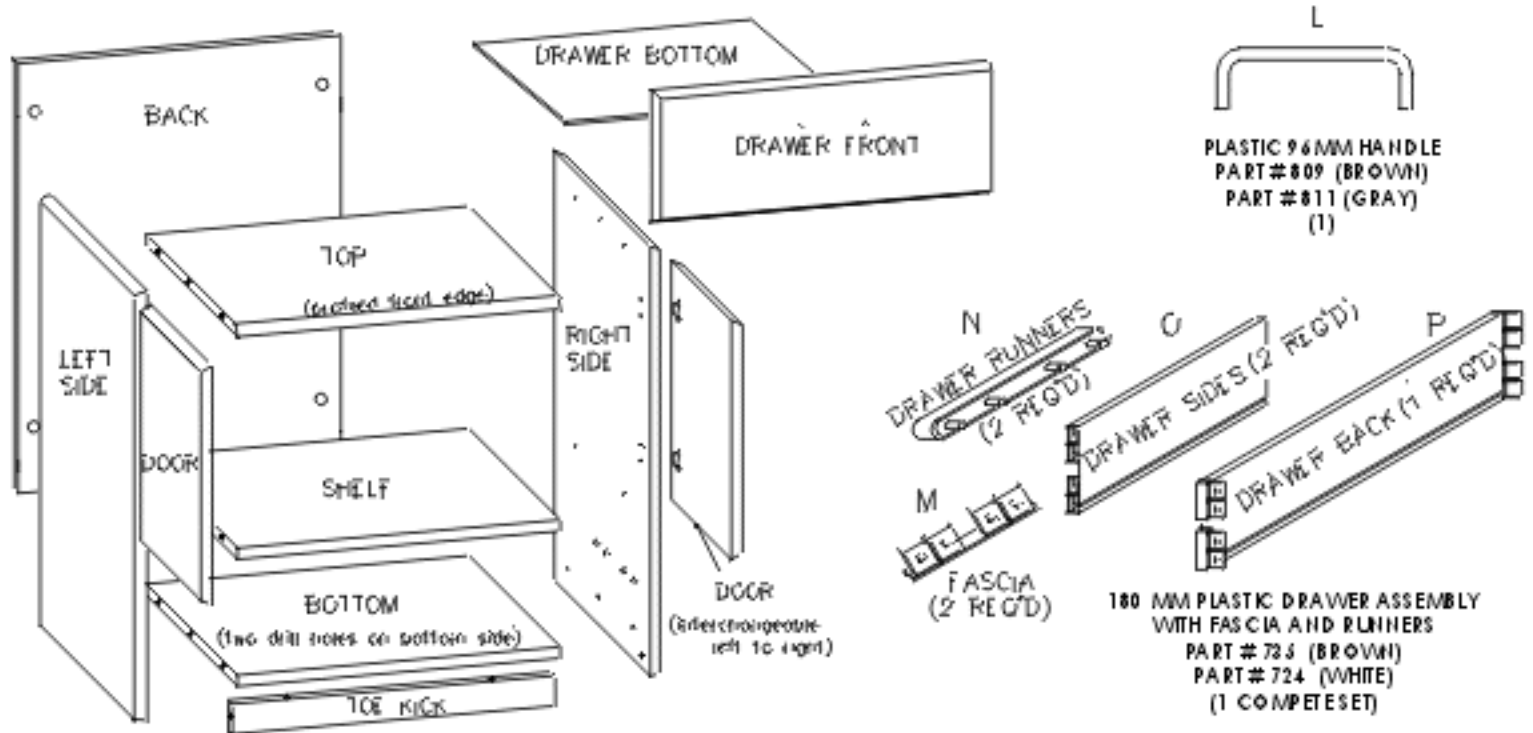
### CAM LOCK ASSEMBLY



- Insert CAM, with arrow pointing to edge hole, into large hole in face of panel as shown in FIG. A
- Fully insert CAM BOLT, installed on adjoining panel, into edge hole as shown in FIG. A and FIG. B
- Turn CAM clockwise 1/3 rotation to lock panels together. FIG. B. For additional security, CAM may be turned another 1/4 turn.

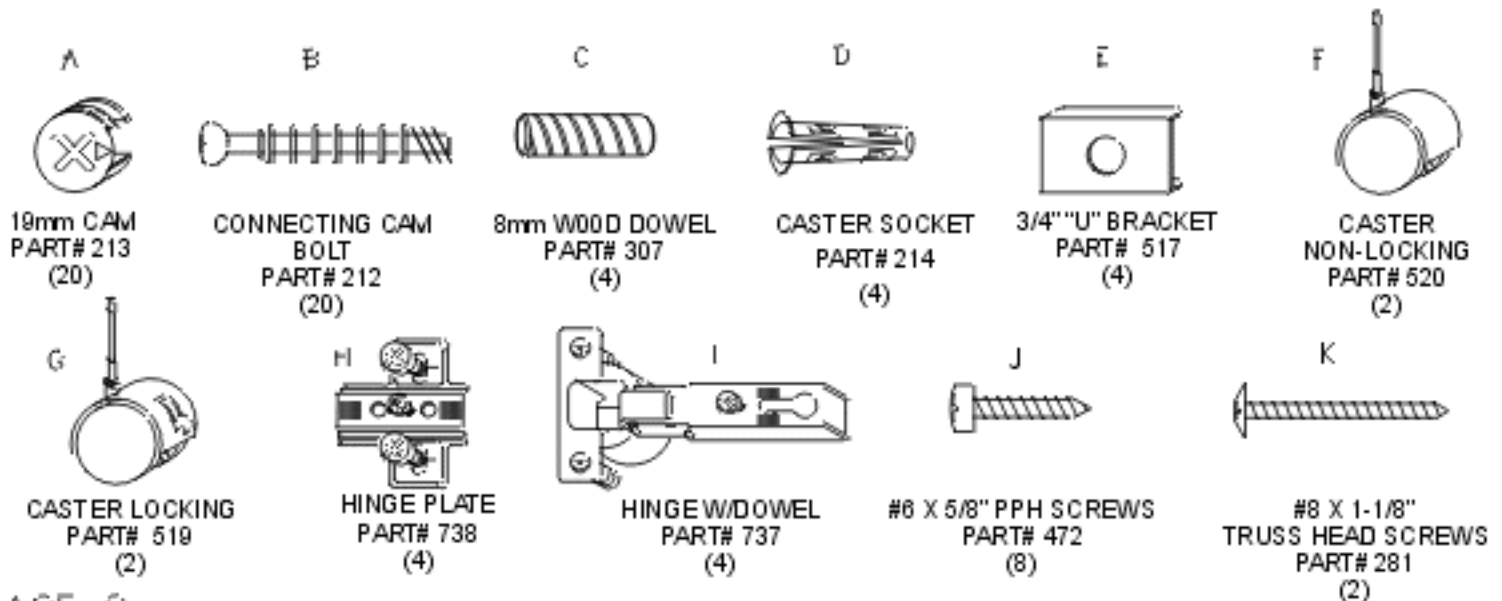
# 1 IDENTIFY ALL PARTS.

If any parts are missing OR you have questions about assembly, please call  
 CUSTOMER SERVICE 1-800-966-5511 Monday - Friday 8am. TO 4:30pm. (Central)



## IDENTIFY PARTS FROM SIZE LISTING BELOW

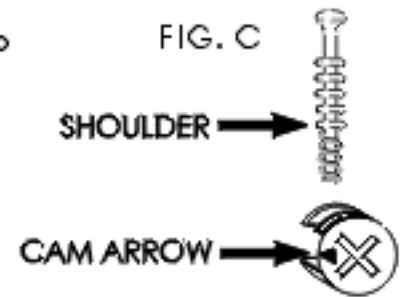
NO.	WOOD PART LIST	WOOD PART SIZES		WOOD PART NUMBERS BY COLOR		
		WIDTH	LENGTH	GRAY	OAK	MAHOGANY
1	BACK	21-1/2"	X28-1/2"	830CGY-BACK	830COK-BACK	119CMH-BACK
1	BOTTOM	17-1/8"	X21-1/2"	830CGY-BOTTOM	830COK-BOTTOM	119CMH-BOTTOM
2	DOOR	11-7/32"	X15-7/8"	830CGY-DOOR	830COK-DOOR	119CMH-DOOR
1	DRAWER BOTTOM	20-13/16"	X16-1/8"	830CGY-DWRBOT	830COK-DWRBOT	119CMH-DWRBOT
1	DRAWER FRONT	8-3/4"	X22-1/2"	830CGY-DWRFT	830COK-DWRFT	119CMH-DWRFT
1	LEFT SIDE	18"	X28-1/2"	830CGY-LSIDE	830COK-LSIDE	119CMH-LSIDE
1	RIGHT SIDE	18"	X28-1/2"	830CGY-RSIDE	830COK-RSIDE	119CMH-RSIDE
1	SHELF	17-1/8"	X21-1/2"	830CGY-SHELF	830COK-SHELF	119CMH-SHELF
1	TOE KICK	2"	X21-1/2"	830CGY-TKICK	830COK-TKICK	119CMH-TKICK
1	TOP	17-1/8"	X21-1/2"	830CGY-TOP	830COK-TOP	119CMH-TOP



## 2 BEGIN ASSEMBLY BY INSTALLING HARDWARE AS SHOWN BELOW.

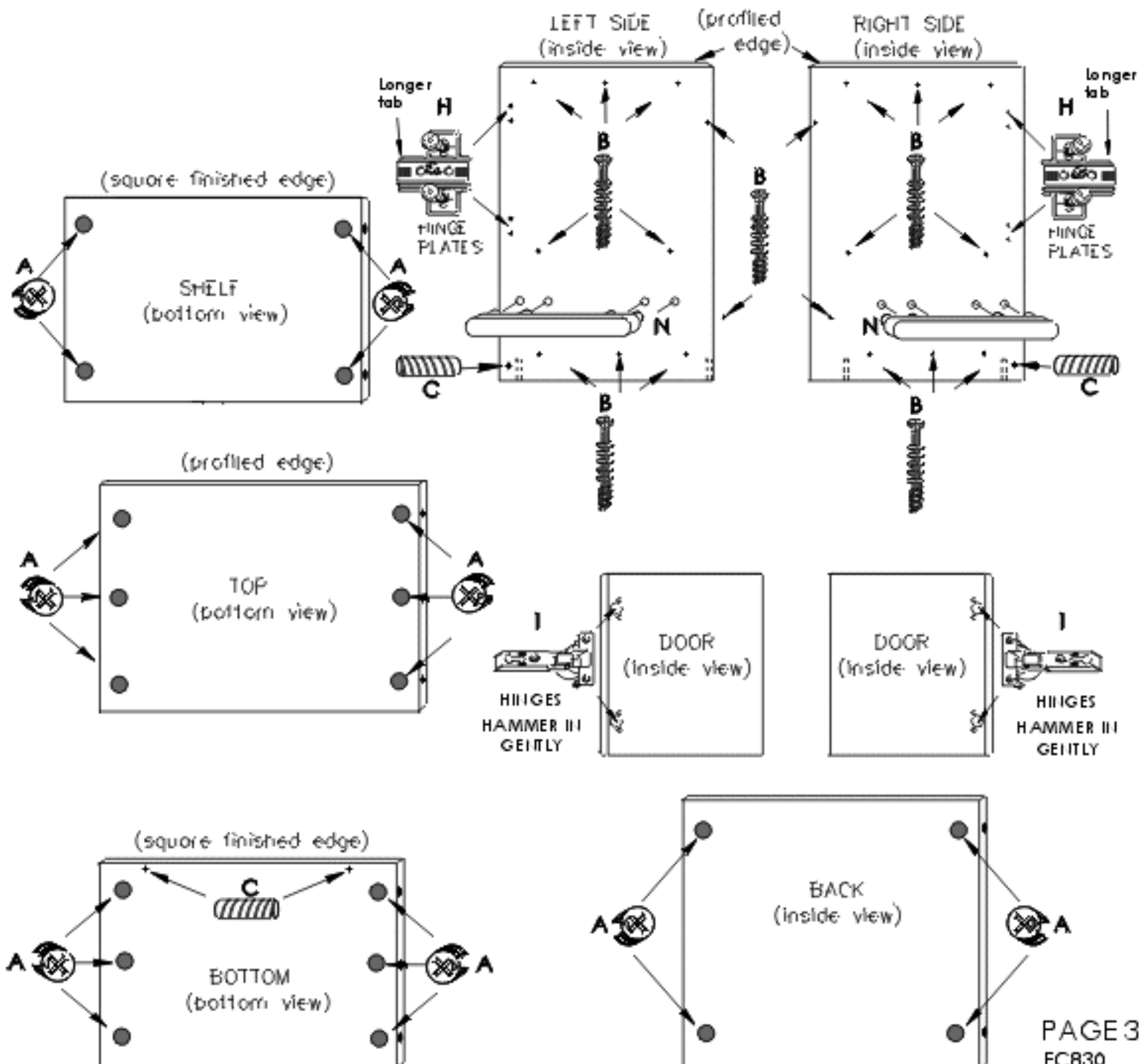
- The LETTERS next to the hardware shown refer to the same letters next to the hardware in the Parts List.
- When installing CAM BOLTS, be sure to tighten until shoulder rests on panel surface, as shown in FIG. C. Cams are inserted with CAM ARROWS pointing to the corresponding edge with the edge hole.

FIG. C



### NOTE:

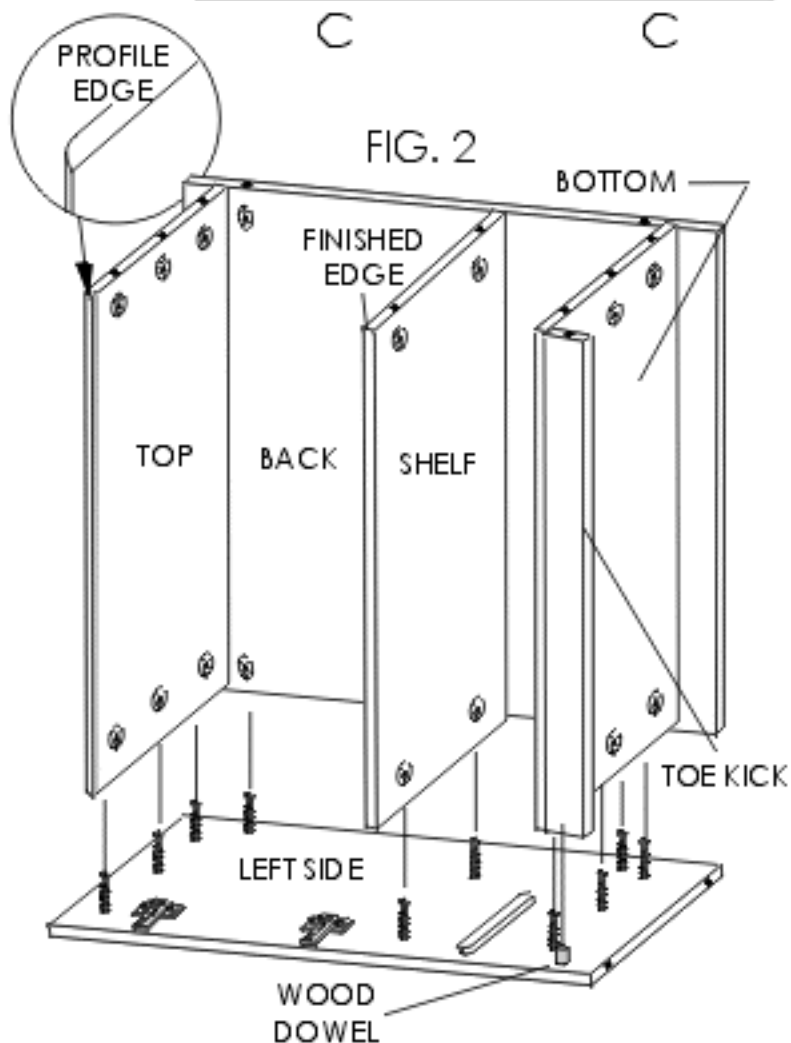
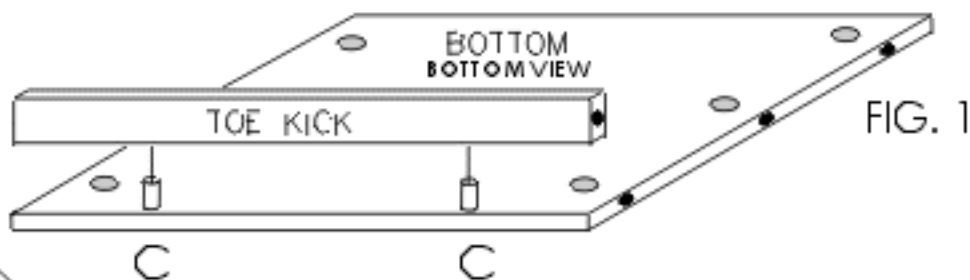
Mounting screws are captive on the HINGE PLATES (H) and can be screwed directly to the SIDES (Note direction of longer tab). DOOR HINGES (I) are mounted on DOORS by aligning the nylon inserts over pre-drilled holes and gently hammering from one insert to the other until HINGE is flush to the DOOR.



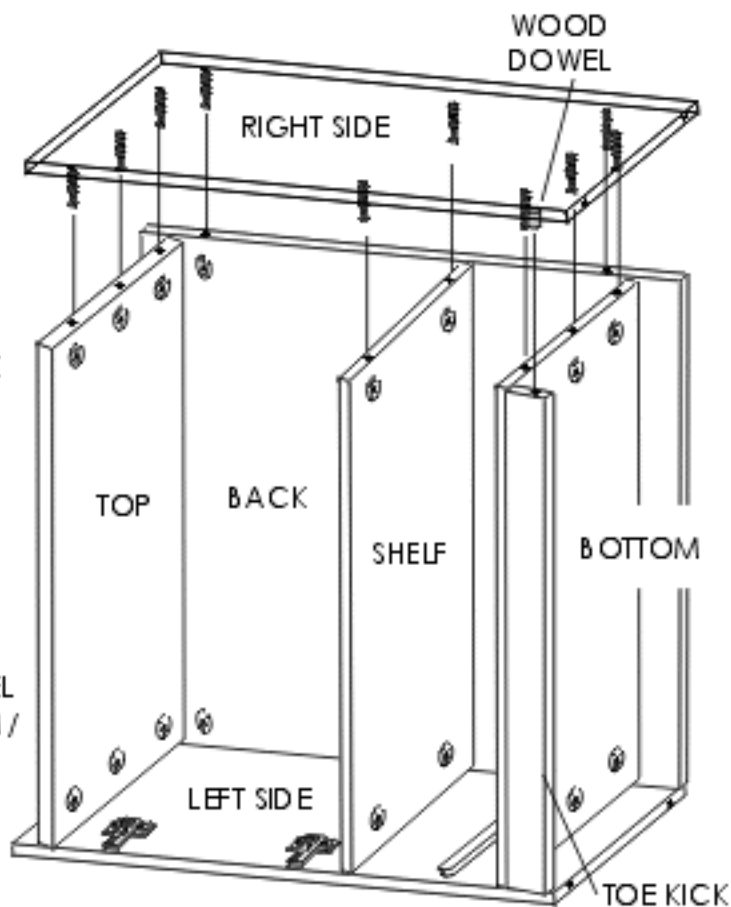
### 3 ASSEMBLY OF CABINET

NOTE: THE ARROW ON THE CAM MUST POINT TO THE CAM BOLT AS PANELS ARE ALIGNED FOR FASTENING. DO NOT PUT STRESS ON VERTICAL PANELS DURING ASSEMBLY. KEEP PANELS SUPPORTED DURING FASTENING. WHENEVER POSSIBLE, USE 2 PEOPLE FOR ASSEMBLY.

- 4 Lay **BOTTOM** on flat, non-scratch surface, with **CAMS** and **WOOD DOWELS** facing up as shown. (FIG. 1). Attach **TOE KICK** to **BOTTOM** by aligning **WOOD DOWELS** with holes on edge of **TOE KICK**. Press **TOE KICK** down so that it lays flat against **BOTTOM**.



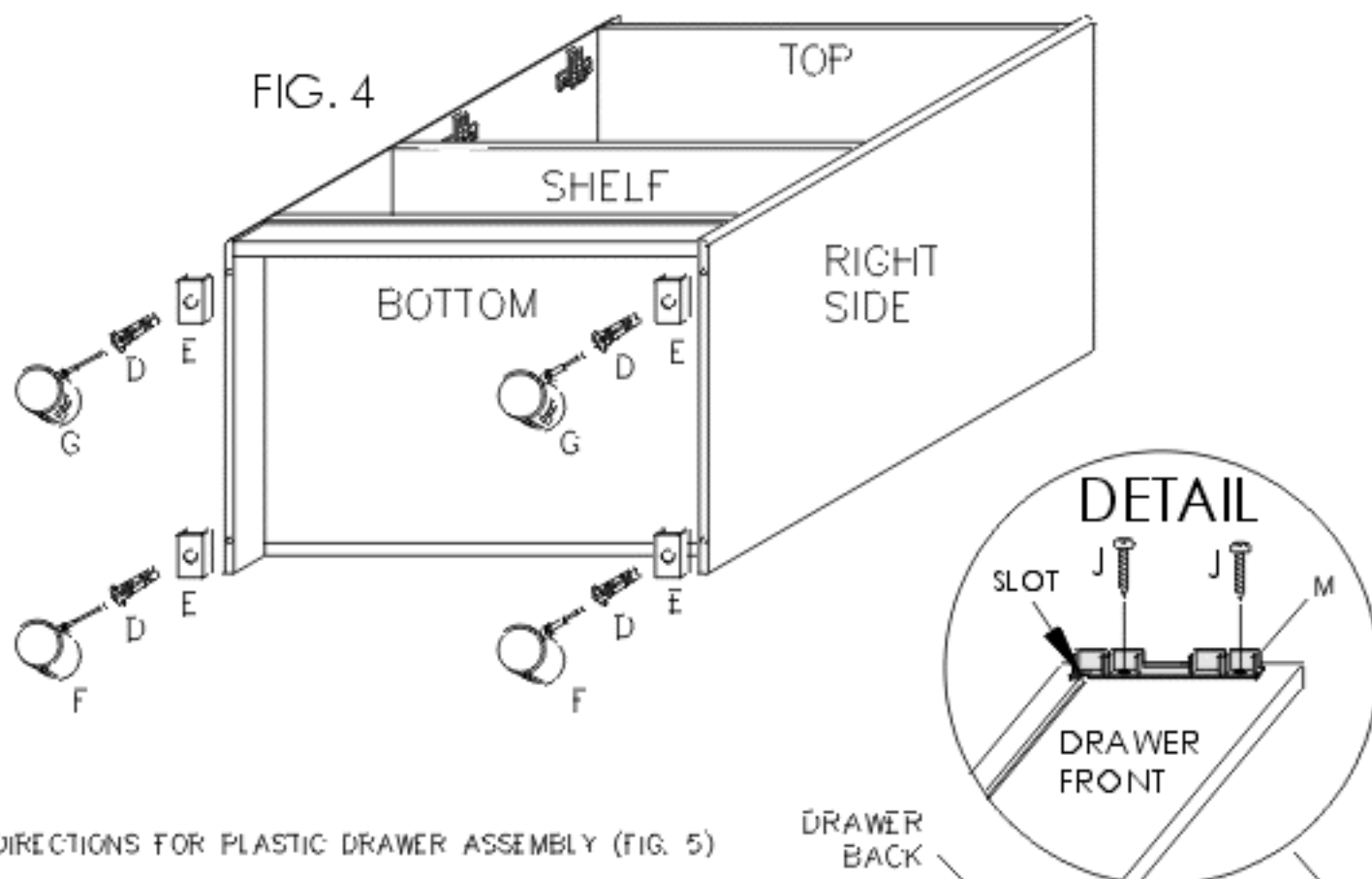
- 5 Lay **LEFT SIDE** on a flat, non-scratch surface as shown (FIG. 2). Align and attach **TOP** to **CAM BOLTS** on **LEFT SIDE**. NOTE profile edge on **TOP**. Tighten **CAMS**. Align and attach **SHELF** to **CAM BOLTS** on **LEFT SIDE**. Tighten **CAMS**. Align and attach **BACK** to **CAM BOLTS** on **LEFT SIDE**. Tighten **CAMS**. Align and attach **BOTTOM / TOE KICK ASSEMBLY** to **CAM BOLTS** and **WOOD DOWEL** on **LEFT SIDE**. Tighten **CAMS**.



- 6 Align and attach **CAM BOLTS** and **WOOD DOWEL** on **RIGHT SIDE** to **TOP**, **BACK**, **SHELF**, and **BOTTOM / TOE KICK ASSEMBLY**. (FIG. 3.) Tighten all **CAMS**.

FIG. 3

- 7 Gently tip unit down to rest on the back edge of SIDES (FIG 4). Align (4) U-BRACKETS (E) over holes in the bottom edges of SIDES, then lightly hammer in (4) CASTER SOCKETS (D). Lightly tap in CASTERS, those with brakes (G), in upper SOCKETS, those without in lower. Carefully stand unit up onto CASTERS.



8 DIRECTIONS FOR PLASTIC DRAWER ASSEMBLY (FIG. 5)

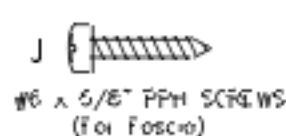
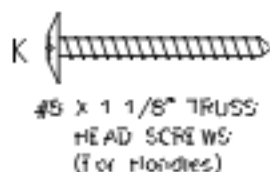
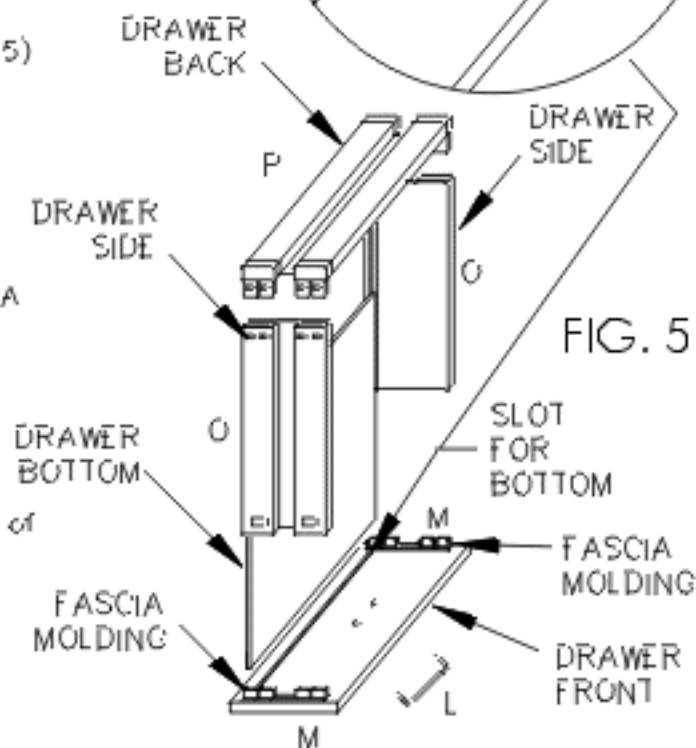
1. Attach (2) FASCIA MOLDINGS (M) to DRAWER FRONT using (8) #6 x 5/8" PPH SCREWS (J). Notch in FASCIA will align with SLOT in DRAWER FRONT. (Notches face inside of DRAWER FRONT)

2. Insert DRAWER BOTTOM into DRAWER FRONT SLOT and snap on one DRAWER SIDE (O) to FASCIA MOLDING, making sure DRAWER BOTTOM is in SLOT in DRAWER SIDE.

3. Align SLOT in remaining DRAWER SIDE (O) onto DRAWER BOTTOM and snap onto remaining FASCIA MOLDING.

4. Align tabs on DRAWER BACK (P) into top ends of both DRAWER SIDES. Make sure DRAWER BOTTOM is aligned with SLOT in DRAWER BACK before snapping DRAWER BACK onto SIDES.

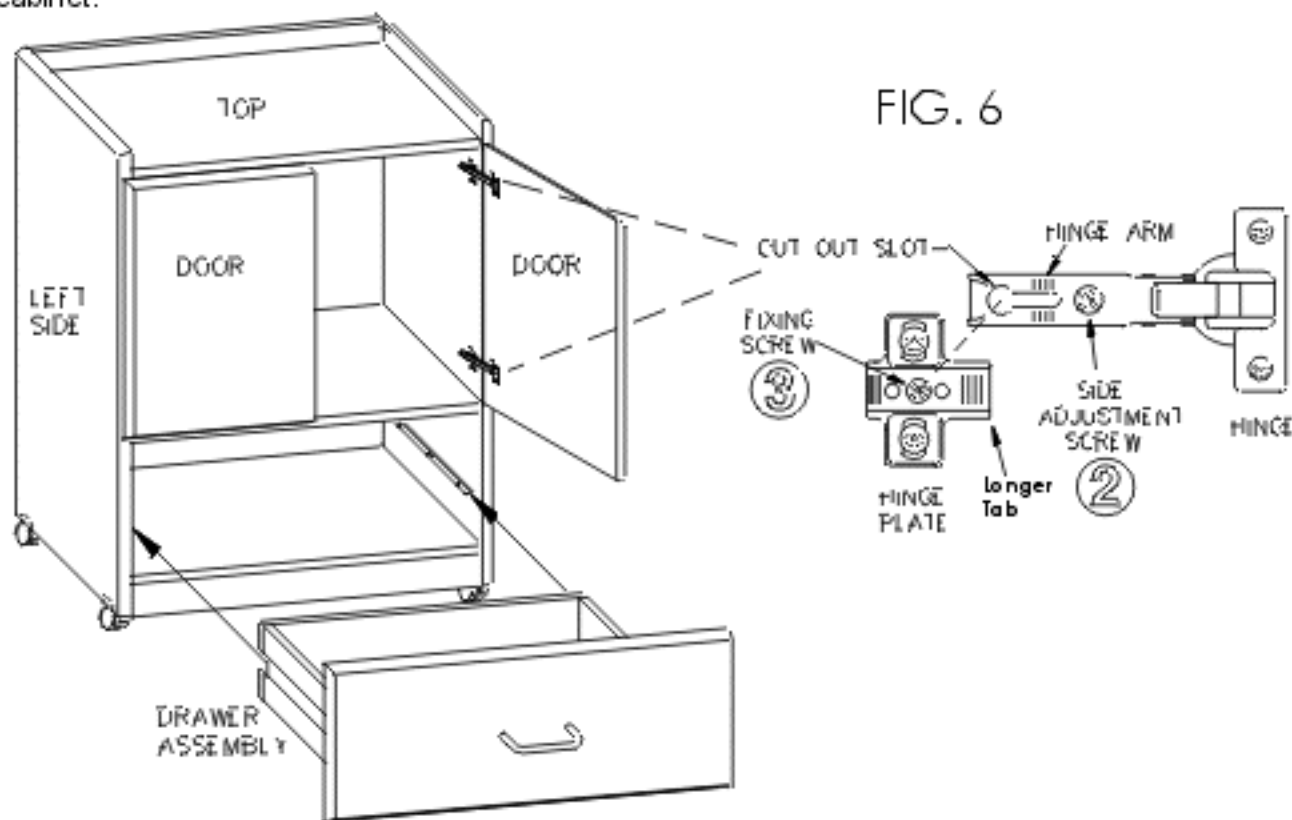
5. Attach DRAWER HANDLE (L) to DRAWER FRONT using (2) #8 x 1-1/8" TRUSS HEAD SCREWS (K), using holes provided.



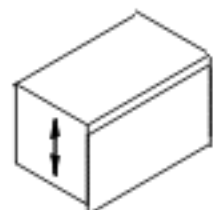
9 NOTE: The FIXING SCREW ③ and the SIDE ADJUSTMENT SCREW ② may need to be loosened before mounting hinges as described in the following step 9.

Doors are interchangeable left to right. Attach the MOUNTED HINGES on the DOORS to the HINGE PLATES on the SIDES, by aligning the CUT OUT SLOTS on the HINGE ARMS over the FIXING SCREWS ③ on the HINGE PLATES (FIG. 6). Slide HINGES on DOORS inward until DOOR EDGE meets the FRONT EDGE of SIDES, then tighten down FIXING SCREW ③. Position fingers on top profile of DOORS to open. Refer to step 10 for DOOR alignment and height adjustments.

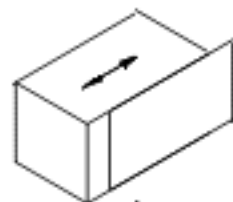
Align PLASTIC SIDES on DRAWER ASSEMBLY onto the PLASTIC DRAWER RUNNERS on the LEFT and RIGHT SIDES and slide DRAWER into cabinet (FIG. 6). Unlock CASTERS with brakes to reposition cabinet.



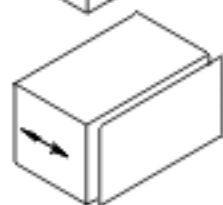
10 Follow instructions below to adjust and square up CABINET DOORS. All adjustments can be made independently. (FIG. 7)



① HEIGHT ADJUSTMENT (UP-DOWN)  
Loosen height adjustment screws ①, adjust door and retighten screws.



② SIDE ADJUSTMENT (SIDE-SIDE)  
Turn screw ② as required. There is no need to loosen fixing screw ③.



③ DEPTH ADJUSTMENT (IN-OUT)  
Loosen screw ②, place hinge arm in the desired position and retighten screw.

