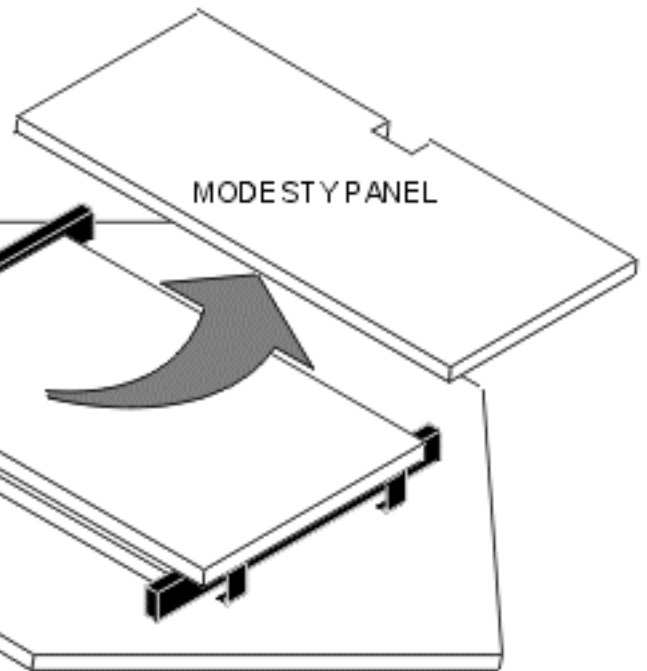


CORNER TABLE

MODEL #5020

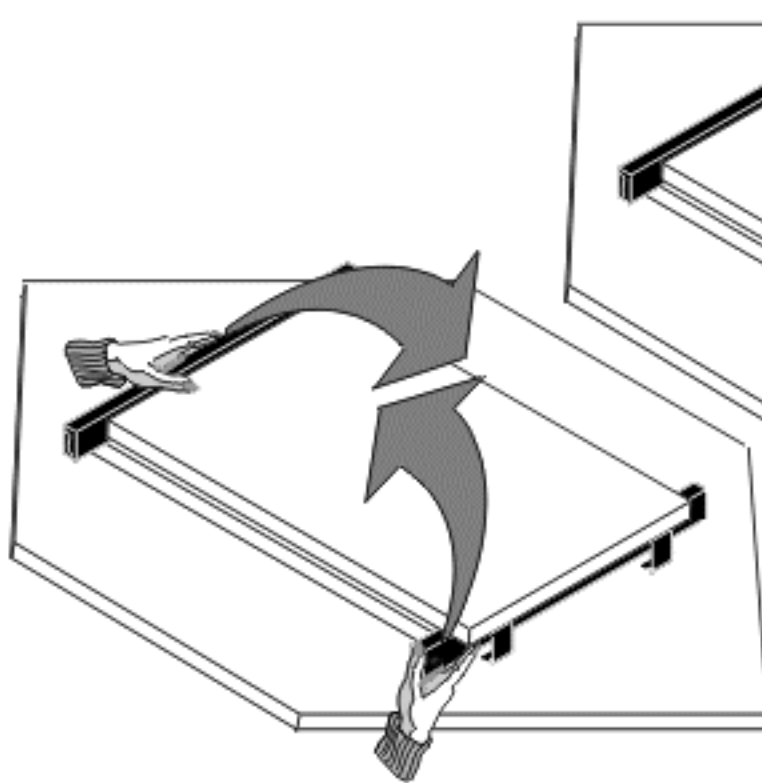
1

Use 2 people if possible for assembly.
Lay TOP-side down on shipping carton or other flat, non-scratch surface.
Remove MODESTY PANEL and carefully set aside.



2

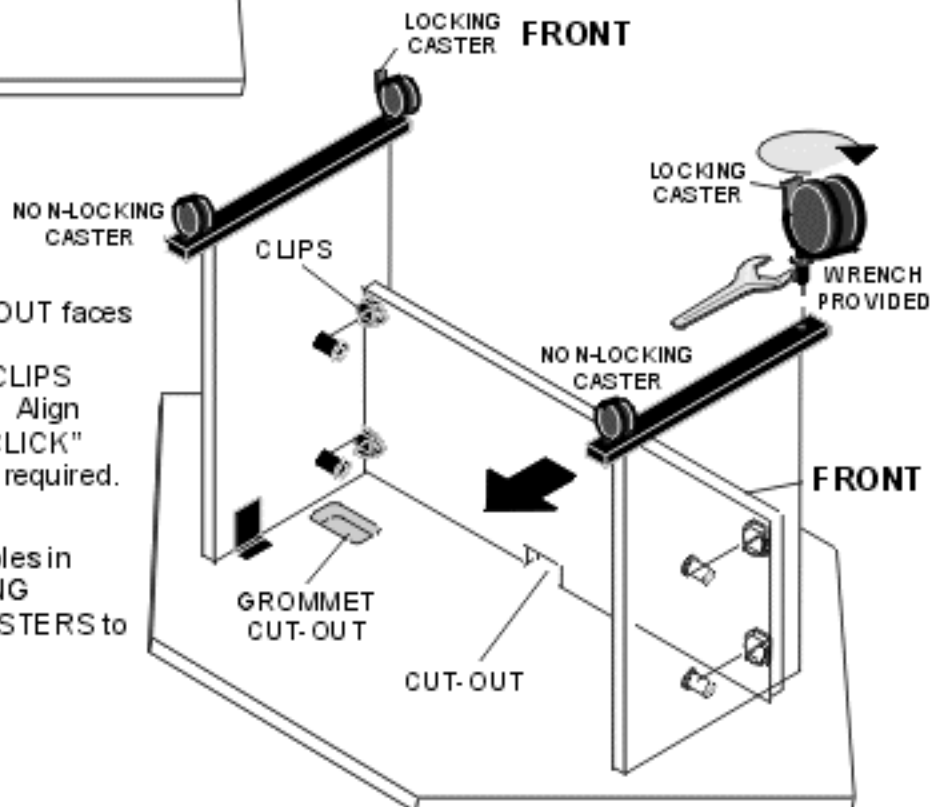
Open SIDES by lifting



3

Turn MODESTY PANEL so CUT-OUT faces down.
Position MODESTY PANEL with CLIPS facing away from **FRONT LABEL**. Align CLIPS with POSTS on SIDES. "CLICK" into position. Some force may be required.

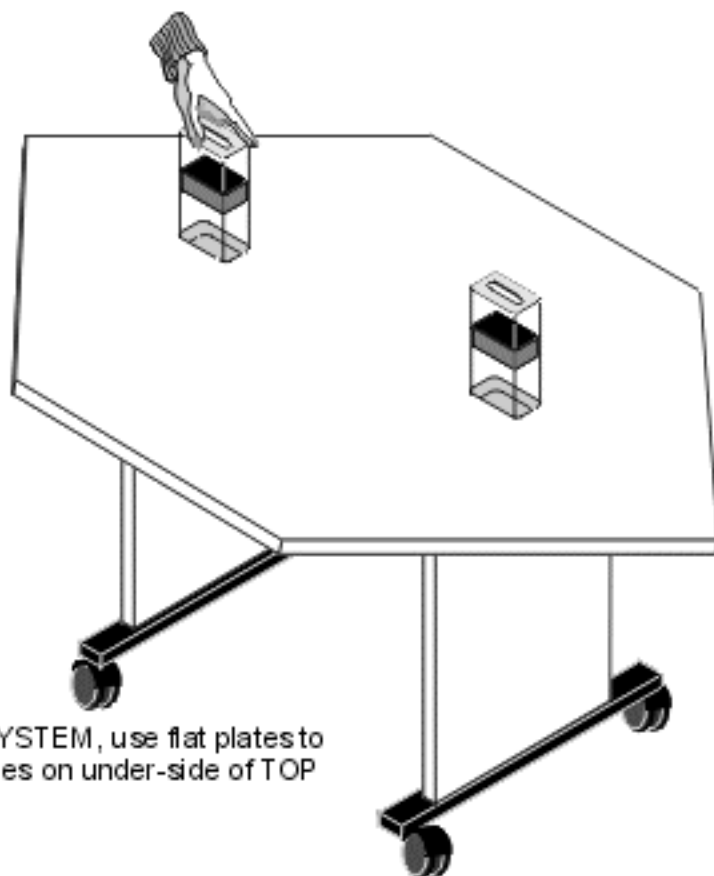
Install CASTERS into threaded holes in metal leg supports. **NON-LOCKING CASTERS** to rear - **LOCKING CASTERS** to **FRONT**. Tighten with **WRENCH PROVIDED**.



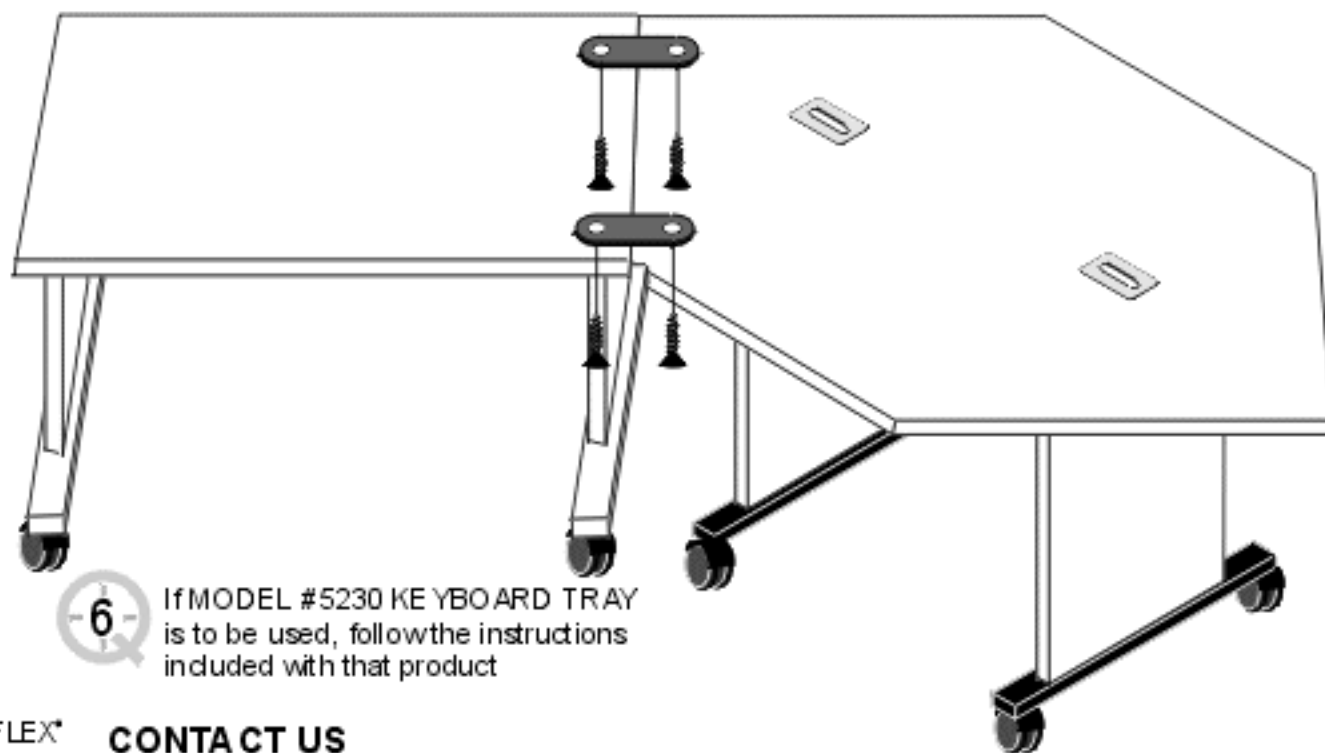
CORNER TABLE

MODEL #5020

- 4** Using 2 people, if possible, turn unit right-side up as shown. Install (2) GROMMETS and COVERS to TOP cut-outs by press fitting into holes.



- 5** If unit is to become part of a QUICKWERX SYSTEM, use flat plates to connect units together. Locate pre-drilled holes on under-side of TOP and attach plates with SCREWS provided.



- 6** If MODEL #5230 KEYBOARD TRAY is to be used, follow the instructions included with that product

CONTACT US

If you have questions about assembly, please call CUSTOMER SERVICE
1-800-966-5511 Monday - Friday 8am. TO 4:30pm. (Central)