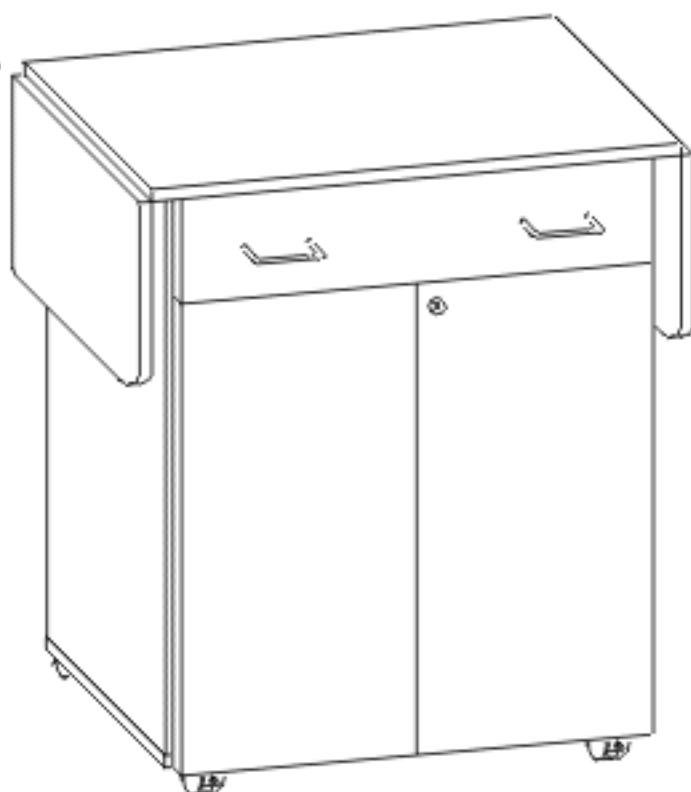


NOTES ON ASSEMBLY

- Use caution during assembly, unbanded edges can be sharp and may chip if mishandled.
- Remove staples, (if any) from carton and use carton to set parts on during assembly.
- Page two of this instruction sheet contains an illustrated parts list and phone number to call in case of missing hardware. The parts list also contains drawings of the screws and other hardware as an easy identification guide.

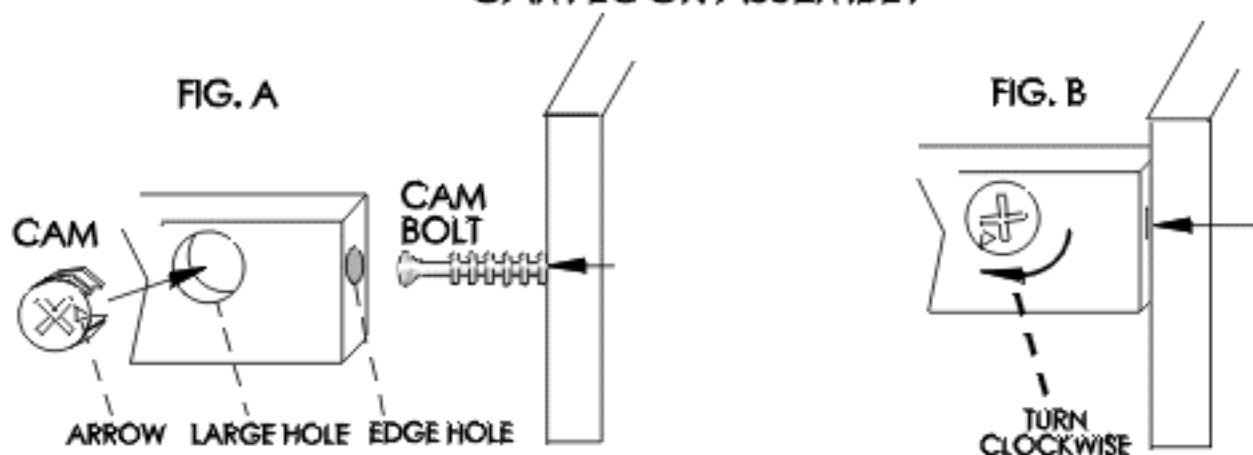
TOOLS REQUIRED

#2 PHILLIPS SCREWD RIVER – CAM BOLT
#6 FLAT SCREWD RIVER – CAM
HAMMER
ADJUSTABLE WRENCH



POWER TOOLS ARE NOT RECOMMENDED

CAM LOCK ASSEMBLY



- Insert CAM, with arrow pointing to edge hole, into large hole in face of panel as shown in FIG. A
- Fully insert CAM BOLT, installed on adjoining panel, into edge hole as shown in FIG. A and FIG. B
- Turn CAM clockwise 1/3 rotation to lock panels together. FIG. B. For additional security, CAM may be turned another 1/4 turn.

1. IDENTIFY ALL PARTS.

If any parts are missing OR you have questions about assembly, please call
 CUSTOMER SERVICE 1-800-966-5511 Monday - Friday 8am. TO 4:30pm. (Central)



A
 PLATE CASTER
 LOCKING
 PART # 857
 (2)



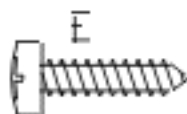
B
 PLATE CASTER
 HOIFLOCKING
 PART # 858
 (2)



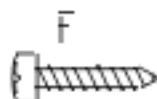
C
 19mm CAM
 PART # 213
 (14)



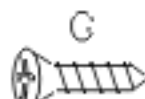
D
 CONNECTING CAM
 BOLT
 PART # 212
 (14)



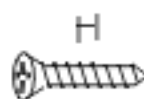
E
 #10 X 3/4"
 PPHS CREWS
 PART # 805
 (16)



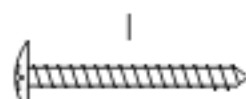
F
 #6 X 5/8"
 PPHS CREW
 PART # 472
 (8)



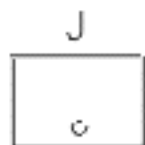
G
 #8 X 5/8
 PPHS CREW
 PART # #8X5/8P FHAZIIIC
 (8)



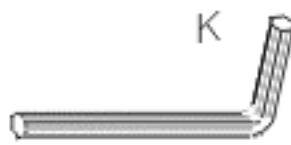
H
 #5 X 5/8"
 PPHS CREW
 PART # 804
 (17)



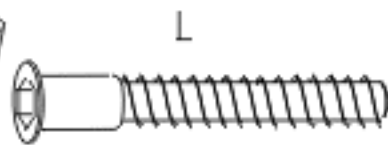
I
 #8 X 1-1/8" TRUSS
 HEAD S CREWS
 PART # 281
 (4)



J
 BATTEN
 PART # 806
 (1)



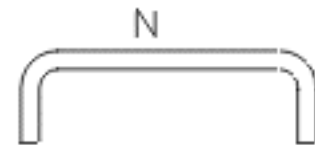
K
 HEX WRENCH
 PART # 243
 (1)



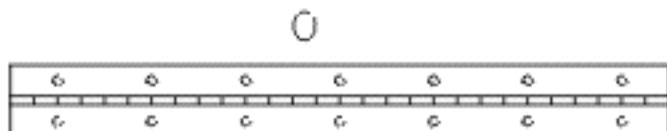
L
 50mm CONFIRMAT SCREW
 PART # 241
 (6)



M
 5mm SHELF PIN
 PART # 132
 (4)



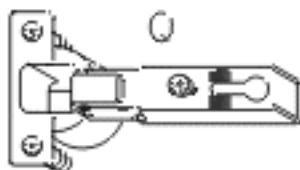
N
 BLACK PLASTIC 96mm HANDLE
 PART # 810
 (2)



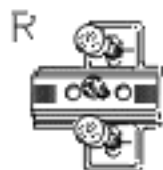
O
 14" CONTINUOUS HINGE
 PART # 796
 (2)



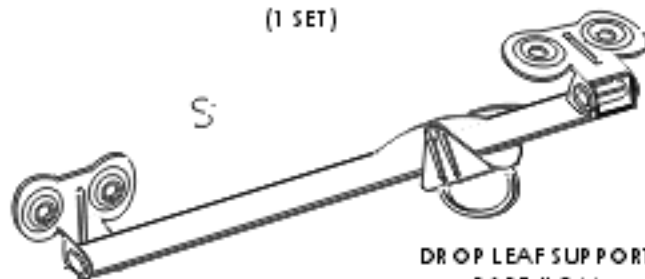
P
 LOCK ASSEMBLY
 PART # 605
 (1 SET)



Q
 SK17 HINGE W/DOWEL
 PART # 737
 (4)

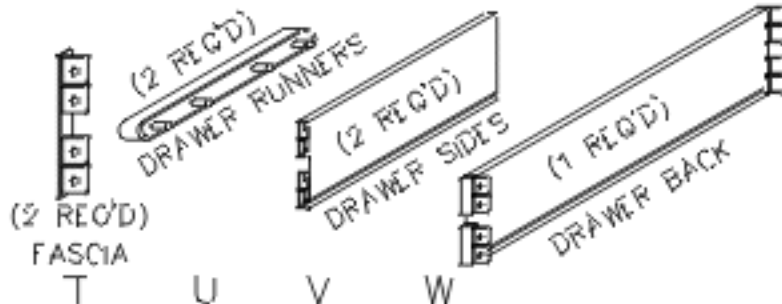


R
 SKP HINGE PLATE
 PART # 738
 (4)



S
 DROP LEAF SUPPORT
 PART # 844
 (2)

BLACK 140mm PLASTIC DRAWER WITH RAILIERS
 DRAWER ASSEMBLY PART # 848
 (1 SET)



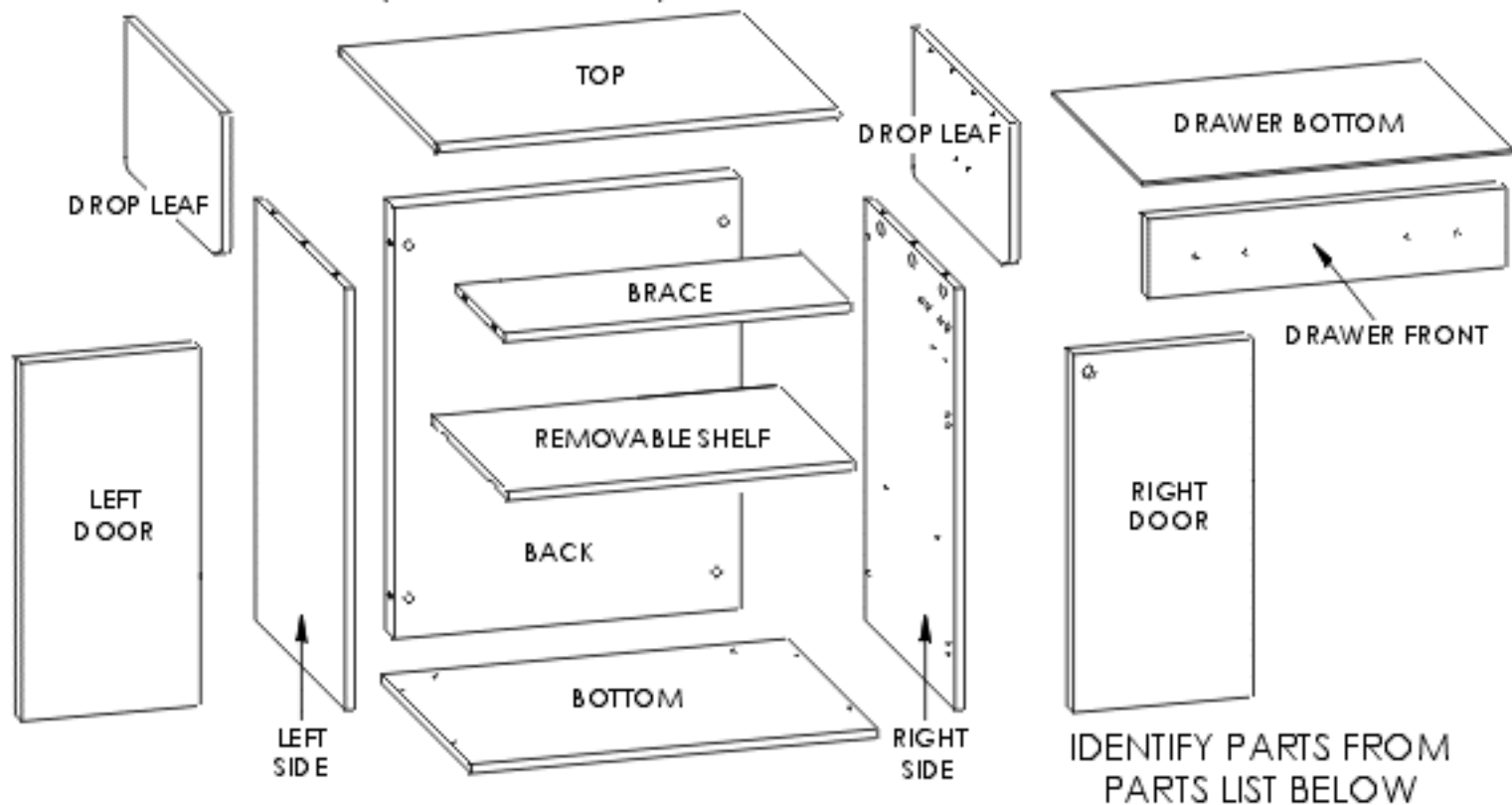
T
 (2 REQ'D)
 FASCIA

U
 (2 REQ'D)
 DRAWER RUNNERS

V
 (2 REQ'D)
 DRAWER SIDES

W
 (1 REQ'D)
 DRAWER BACK

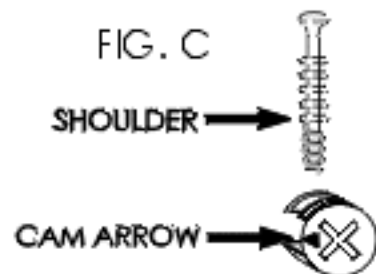
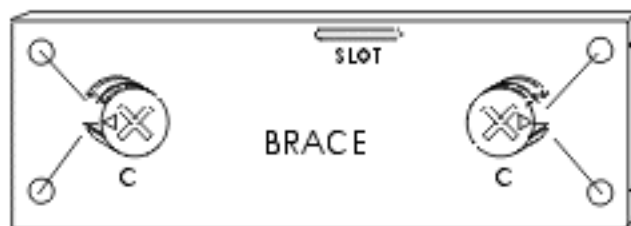
1a. PARTS LIST (CONTINUED)



NO.	WOOD PART LIST	WOOD PART SIZES		WOOD PART NUMBERS BY COLOR	
		WIDTH	LENGTH	MAHOGANY	OAK
1	BACK	28-1/4"	X 34-7/32"	75CMAH-BACK	248COK-BACK
1	BOTTOM	19-3/8"	X 29-7/8"	75CMAH-BOTTM	248COK-BOTTM
1	BRACE	5-3/4"	X 28-1/4"	75CMAH-BRACE	248COK-BRACE
2	DROP LEAF	20-5/16"	X 11-25-32"	75CMAH-DLEAF	248COK-DLEAF
1	DRAWER BOTTOM	15-9/16"	X 27-1/2"	75CMAH-DWRBOT	248COK-DWRBOT
1	DRAWER FRONT	6"	X 29-3/8"	75CMAH-DWRFT	248COK-DWRFT
1	LEFT DOOR	14-9/16"	X 28-5/16"	75CMAH-LDOOR	248COK-LDOOR
1	LEFT SIDE	19-3/8"	X 34-1/4"	75CMAH-LSIDE	248COK-LSIDE
1	RIGHT DOOR	14-9/16"	X 28-5/16"	75CMAH-RDOOR	248COK-RDOOR
1	REMOVABLE SHELF	18-1/4"	X 28-1/8"	75CMAH-RSHELF	248COK-RSHELF
1	RIGHT SIDE	19-3/8"	X 34-1/4"	75CMAH-RSIDE	248COK-RSIDE
1	TOP	20-1/4"	X 32-1/2"	75CMAH-TOP	248COK-TOP

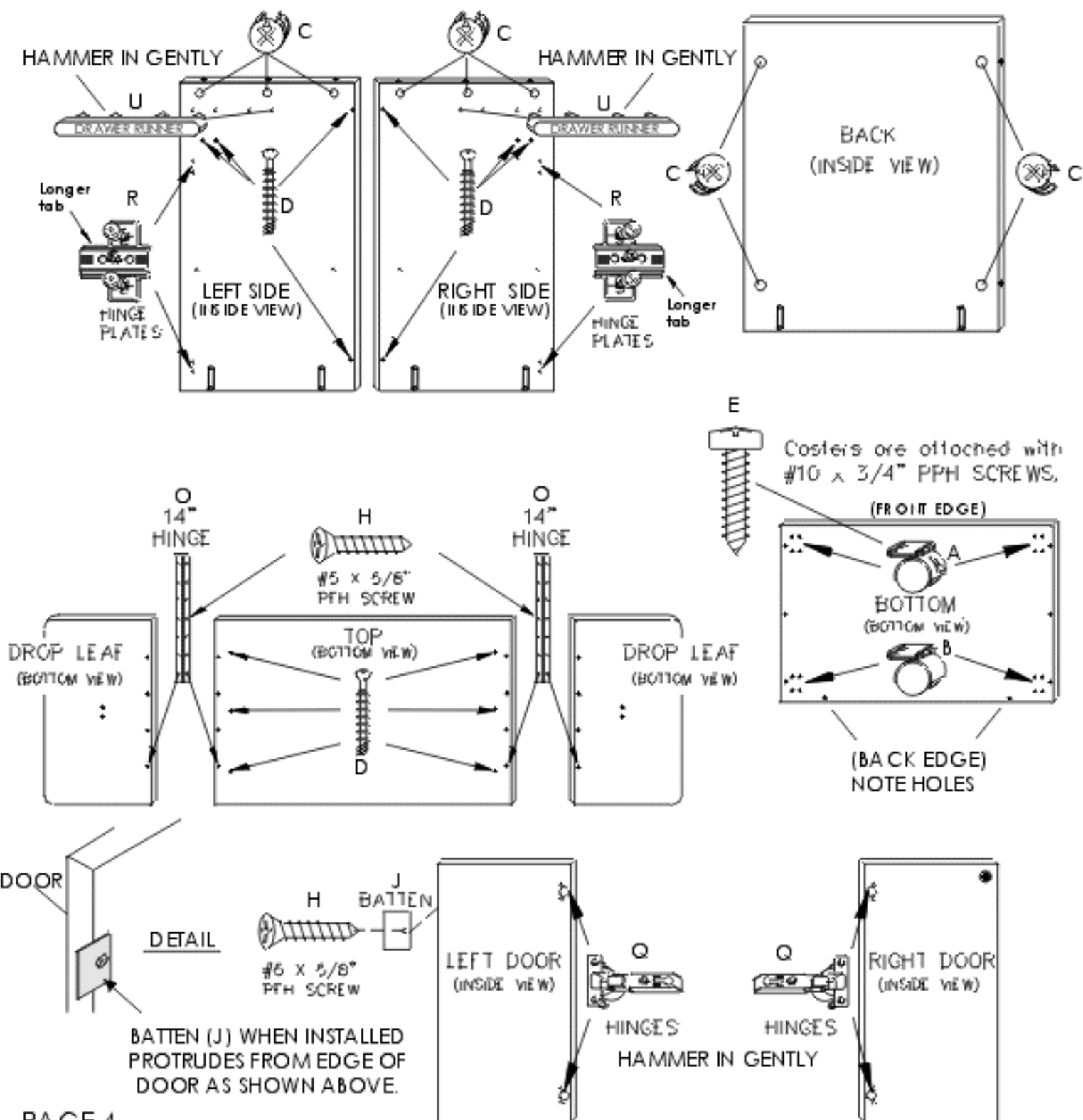
2 BEGIN ASSEMBLY BY INSTALLING HARDWARE AS SHOWN BELOW AND NEXT PAGE.

- The LETTERS next to the hardware shown refer to the same letters next to the hardware in the Parts List.
- When installing CAM BOLTS, be sure to tighten until shoulder rests on panel surface, as shown in FIG. C. Cams are inserted with CAM ARROWS pointing to the corresponding edge with the edge hole.



2a. HARDWARE INSTALLATION CONTINUED

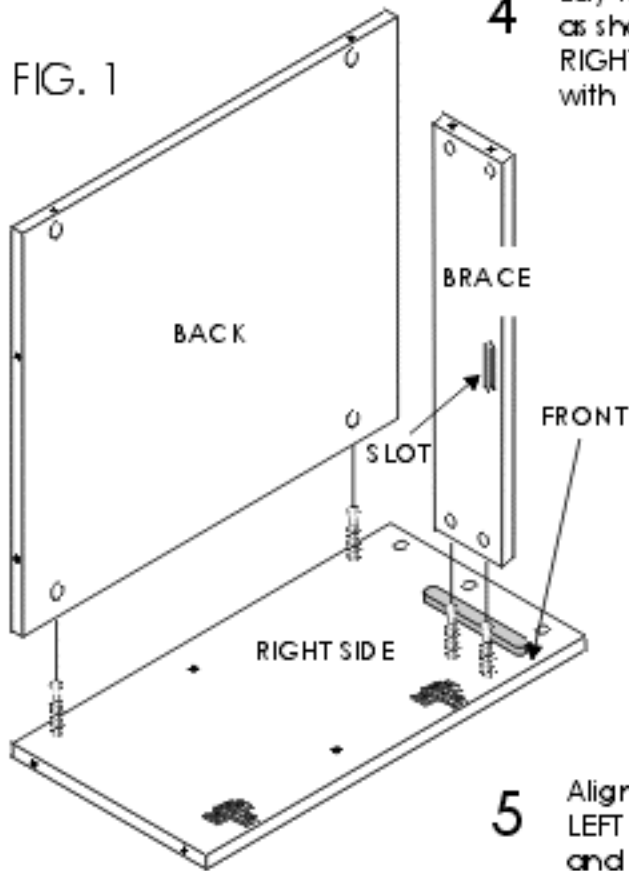
Mounting screws are captive on the HINGE PLATES (R) and can be screwed directly to the SIDES. (Note direction of longer tab). DOOR HINGES (Q) are mounted on DOORS by aligning the nylon inserts over pre-drilled holes and gently hammering from one insert to the other until HINGE is flush to the DOOR. Attach the CASTERS (A, B) to the BOTTOM with (16) #10x3/4" PPH SCREWS (E), keeping LOCKING CASTERS (A) in front. Attach BATTEN (J) to LEFT DOOR with (1) #5 x 5/8" PFH SCREW (H). Attach the (2) 14" HINGES (O) to the (2) DROP LEAVES and TOP with (16) #5 x 5/8" PFH SCREWS (H). DRAWER RUNNERS (U) are attached to sides by gently hammering in as shown. Other PLASTIC DRAWER parts will be assembled in later steps.



3 ASSEMBLY OF CABINET

NOTE: THE ARROW ON THE CAM MUST POINT TO THE CAM BOLT AS PANELS ARE ALIGNED FOR FASTENING. DO NOT PUT STRESS ON VERTICAL PANELS DURING ASSEMBLY. KEEP PANELS SUPPORTED DURING FASTENING. WHEN POSSIBLE, USE 2 PEOPLE FOR ASSEMBLY.

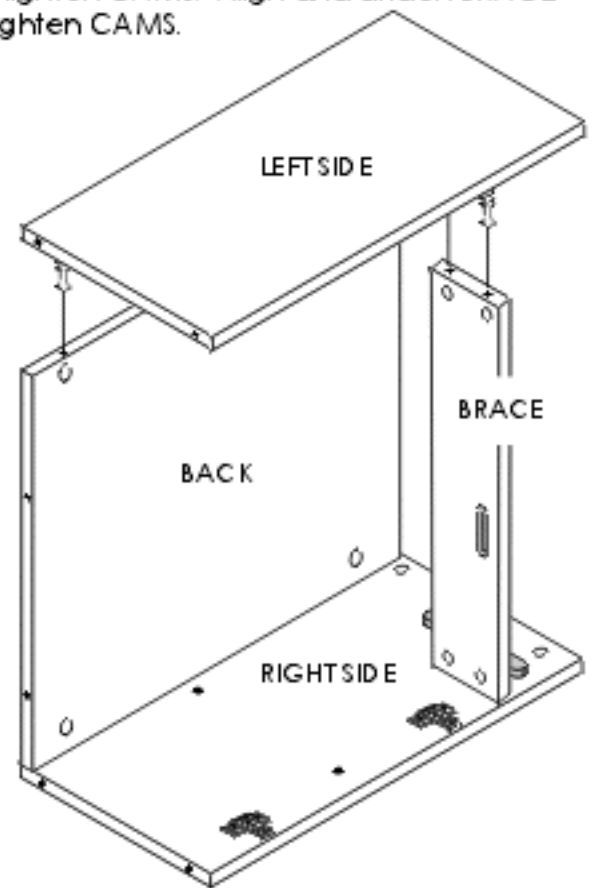
FIG. 1



4

Lay RIGHT SIDE on flat, non-scratch surface, with CAMS facing up as shown. (FIG. 1). Attach BACK to CONNECTING CAM BOLTS on RIGHT SIDE as shown. Tighten CAMS. Align and attach BRACE with SLOT to FRONT. Tighten CAMS.

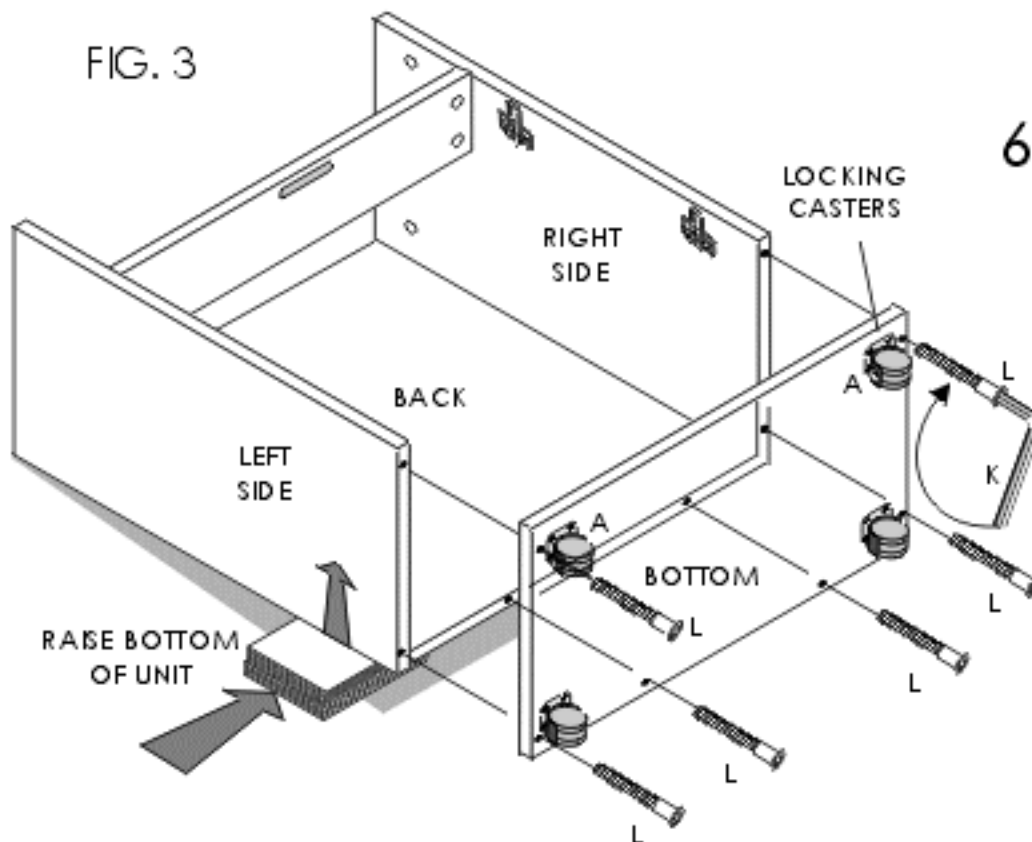
FIG. 2



5

Align and attach LEFT SIDE to BACK and BRACE. (FIG. 2) Tighten all CAMS.

FIG. 3



6

Gently lay partial assembly onto the back. (FIG. 3) Align and attach BOTTOM to BACK and sides. Insure that the LOCKING CASTERS (A) are to the front. Secure BOTTOM with (6) 50mm CONFIRMAT SCREWS (L). Tighten with HEX WRENCH (K) provided. NOTE: For ease of installing CONFIRMAT SCREWS into BACK, unit may be raised upon stacks of packaging cardboard as shown.

With bottom installed, gently stand unit up onto CASTERS.

7 Gently align and attach TOP (with DROP LEAVES attached) to LEFT and RIGHT SIDES. (FIG.4) NOTE: TOP is reversible, and may be aligned either way. Tighten all CAMS.

8 The DROP LEAF SUPPORTS (S) must be in the extended locked position before installing. The plastic release ring is positioned closest to the DROP LEAF. (FIG.5) MOUNTING FLANGES fold to the inside as shown. Hold or prop the DROP LEAF in the up position. Attach the DROP LEAF SUPPORT to the SIDE using (2) #8 x 5/8" PFH SCREWS (G). Attach other end of DROP LEAF SUPPORT to DROP LEAF using (2) #8 x 5/8" PFH SCREWS (G). Repeat procedure for remaining DROP LEAF.

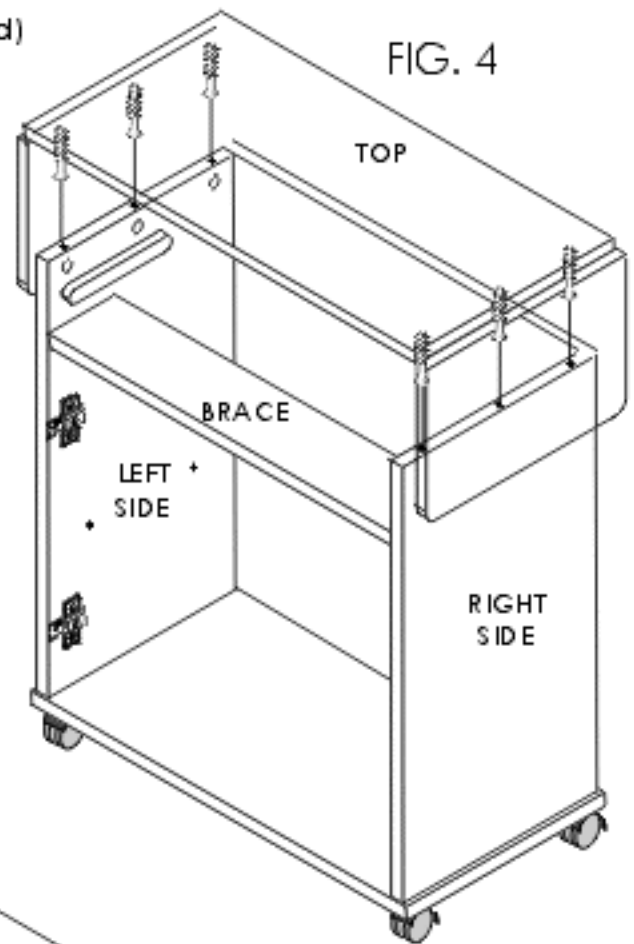
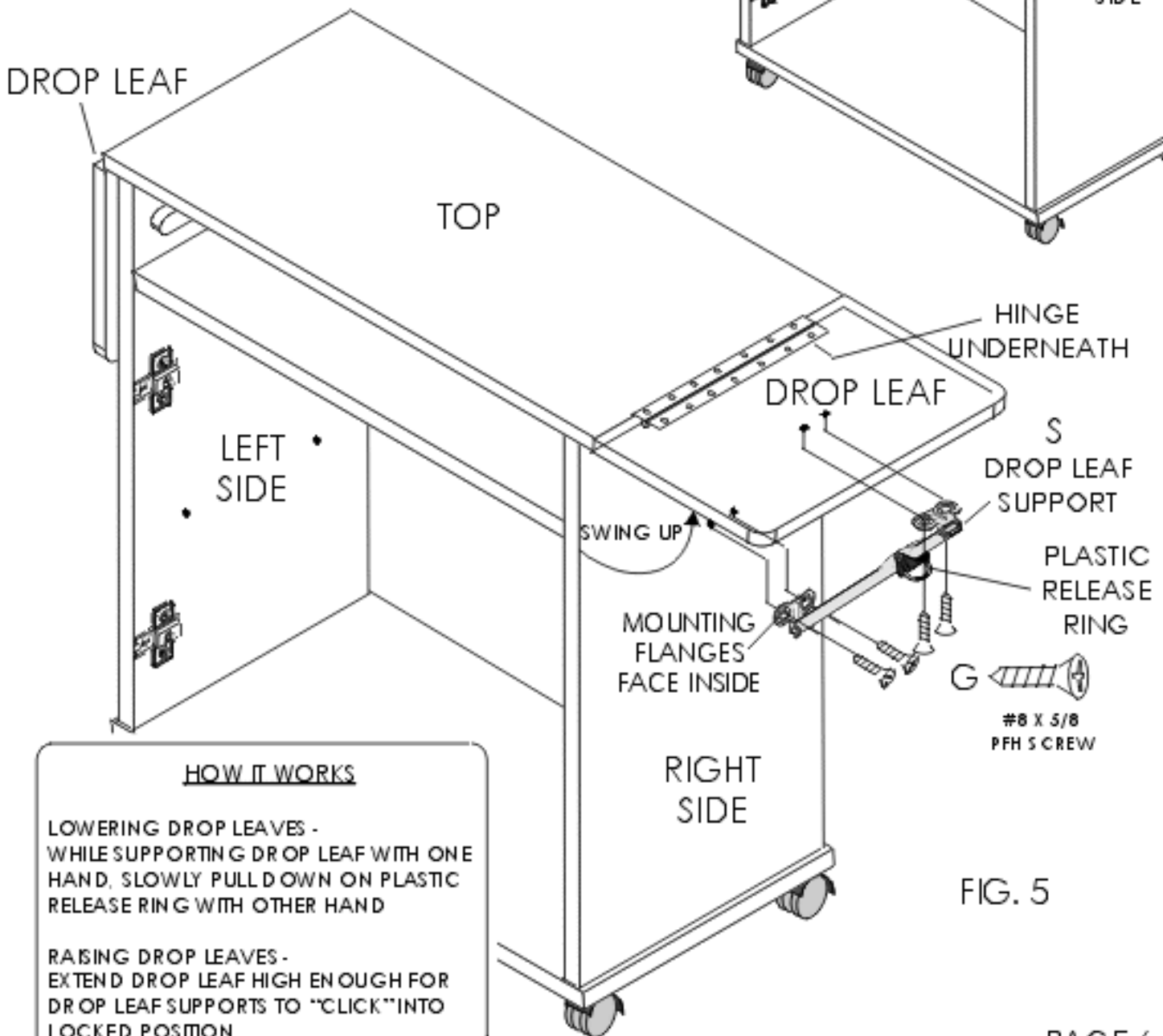


FIG. 4



HOW IT WORKS

LOWERING DROP LEAVES - WHILE SUPPORTING DROP LEAF WITH ONE HAND, SLOWLY PULL DOWN ON PLASTIC RELEASE RING WITH OTHER HAND

RAISING DROP LEAVES - EXTEND DROP LEAF HIGH ENOUGH FOR DROP LEAF SUPPORTS TO "CLICK" INTO LOCKED POSITION.

FIG. 5

9 DIRECTIONS FOR PLASTIC DRAWER ASSEMBLY (FIG.6)

1. Attach (2) FASCIA MOLDING (T) to DRAWER FRONT using (8) #6 x 5/8" PPH SCREWS (F). Notch in FASCIA MOLDING will align with slot in DRAWER FRONT. NOTE: Notches face to the inside of DRAWER FRONT.

2. Insert DRAWER BOTTOM into DRAWER FRONT SLOT and "snap" on (1) DRAWER SIDE (V) to FASCIA MOLDING. NOTE: Make sure DRAWER BOTTOM is in SLOT in DRAWER SIDE.

3. Align DRAWER BOTTOM into SLOT of other DRAWER SIDE (V) and "snap" into FASCIA MOLDING.

4. Insert tabs on DRAWER BACK (W) into top ends of both DRAWER SIDES. Make sure DRAWER BOTTOM SLOT in DRAWER BACK is aligned with DRAWER BOTTOM before snapping DRAWER BACK onto SIDES.

5. Attach (2) DRAWER HANDLES (N) to DRAWER FRONT using (4) #8 x 1-1/8" TRUSS HEAD SCREWS (I), using holes provided.

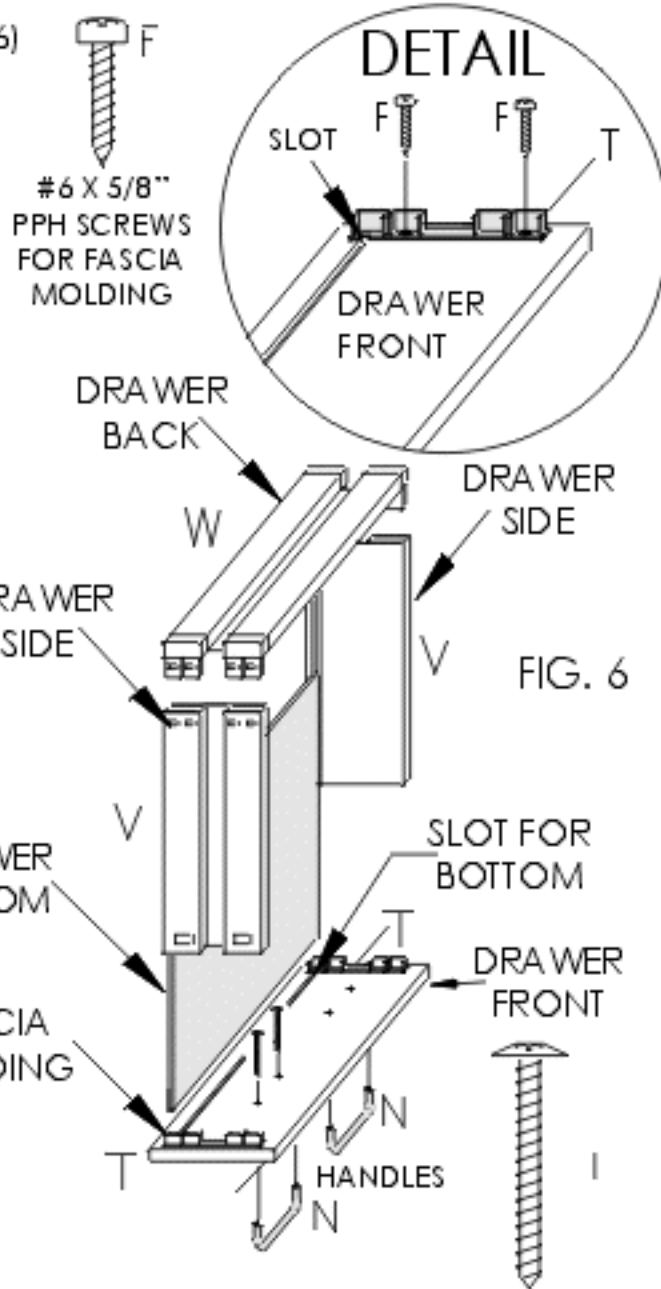


FIG. 6

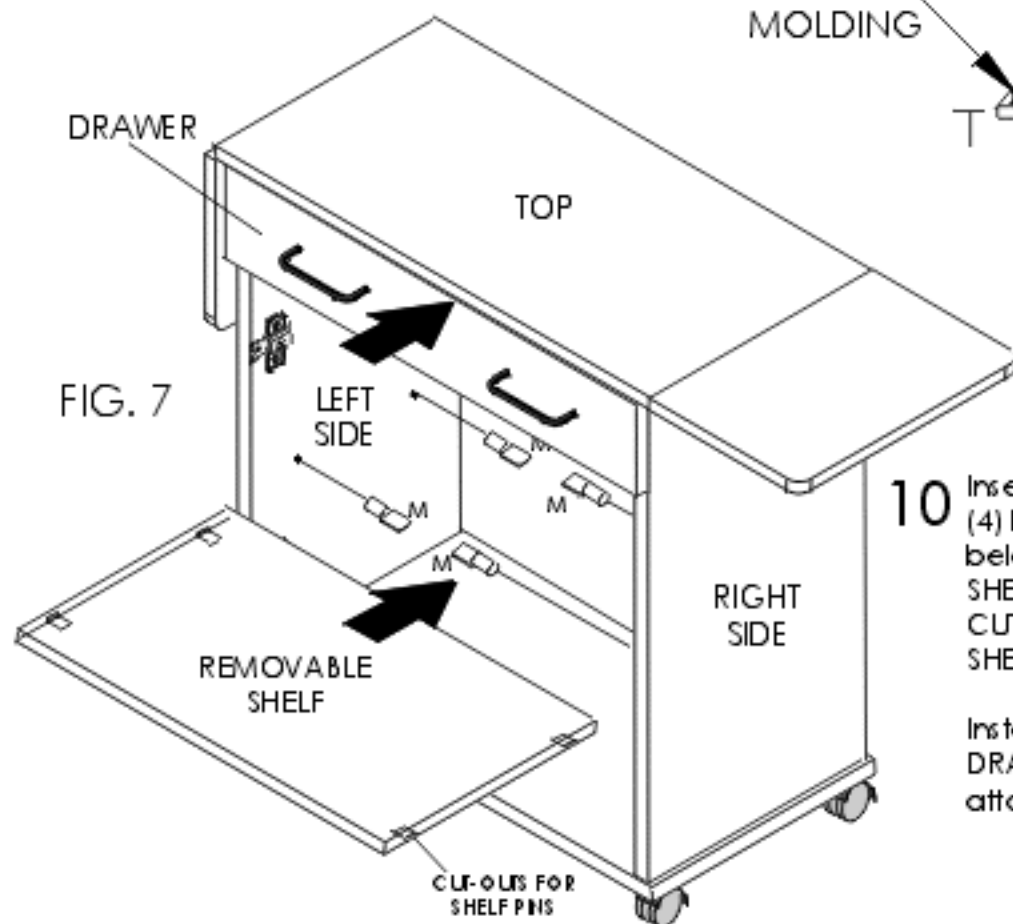


FIG. 7

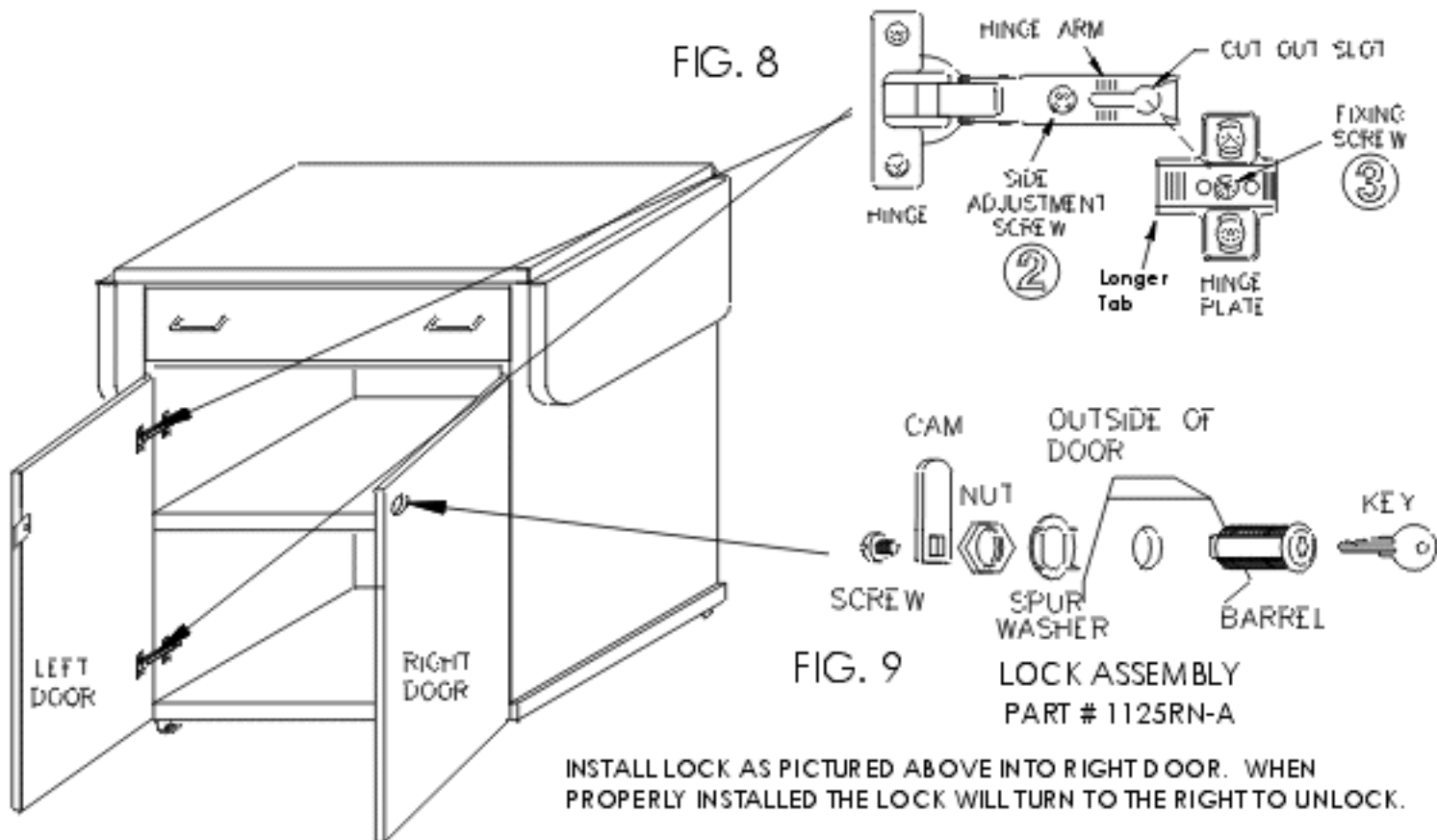
10 Insert (4) 5mm SHELF PINS (M) into the (4) holes on the inside faces of SIDES, below the BRACE. Insert REMOVABLE SHELF onto SHELF PINS. (FIG. 7) NOTE: CUT-OUTS on underside of SHELF sit on SHELF PINS.

Install DRAWER ASSEMBLY by aligning DRAWER SIDES onto previously attached DRAWER RUNNERS on SIDES.

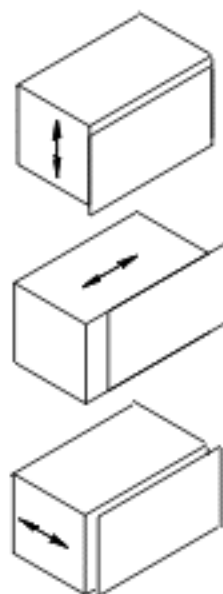
11 DOOR ASSEMBLY

NOTE: The FIXING SCREW ③ and the SIDE ADJUSTMENT SCREW ② may need to be loosened before mounting hinges as described in the following step 11.

Attach the mounted HINGES on the DOORS to the HINGE PLATES on the SIDES, by aligning the CUT OUT SLOTS on the HINGE ARMS over the FIXING SCREW ③ on the HINGE PLATES. (FIG. 8) Slide HINGES on DOORS inward until DOOR EDGE meets the FRONT EDGE of SIDES, then tighten down FIXING SCREW ③. Install the LOCK ASSEMBLY onto RIGHT DOOR as shown. (FIG. 9) Refer to step 12 for DOOR alignment and height adjustments.



12 Follow instructions below to ADJUST and SQUARE UP CABINET DOORS. All ADJUSTMENTS can be made INDEPENDENTLY (FIG. 10)



- ① **HEIGHT ADJUSTMENT (UP-DOWN)**
Loosen height adjustment screws ①, adjust door and retighten screws
- ② **SIDE ADJUSTMENT (SIDE-SIDE)**
Turn screw ② as required. There is no need to loosen fixing screw ③.
- ③ **DEPTH ADJUSTMENT (IN-OUT)**
Loosen screw ③, place hinge arm in the desired position and retighten screw.

