

Quickwerx Coffee Cart

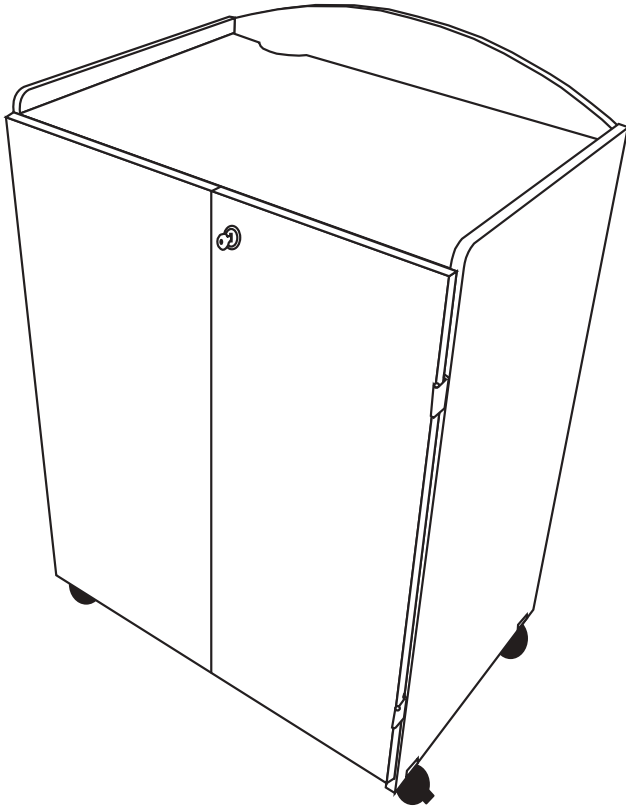
VF50342 (gray) • V50343 (oak)

Vertiflex
Products™

Assembly Instructions

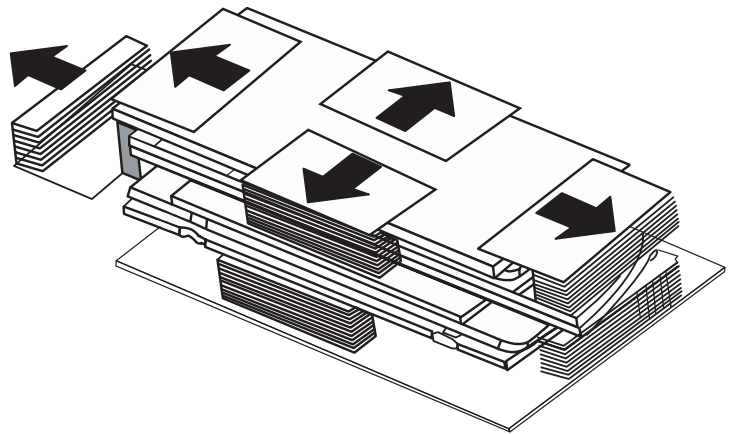
www.advantus.com

904.482.0091



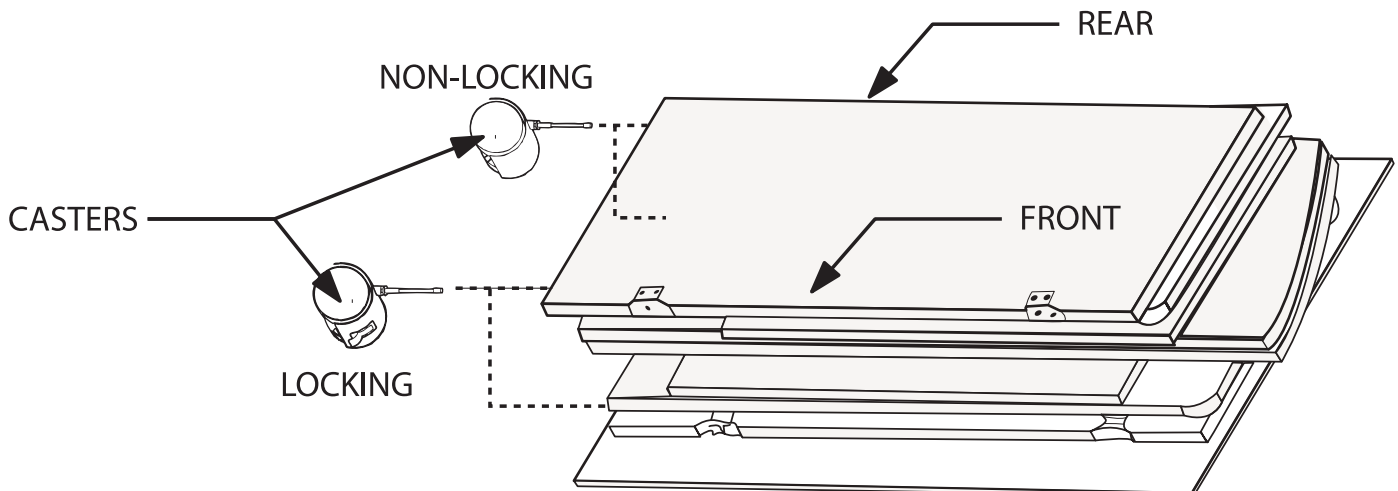
1

Remove shrink film and all packaging inserts from product. Leave cart on flat cardboard pad for protection from scratches



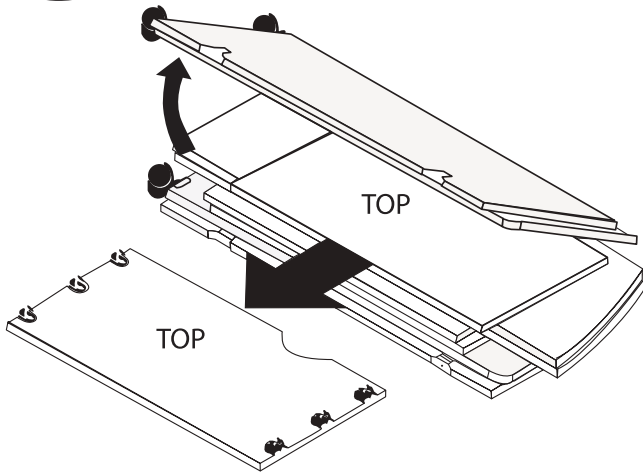
2

Lightly tap in CASTERS, those with locks in FRONT SOCKETS, those without locks in REAR SOCKETS



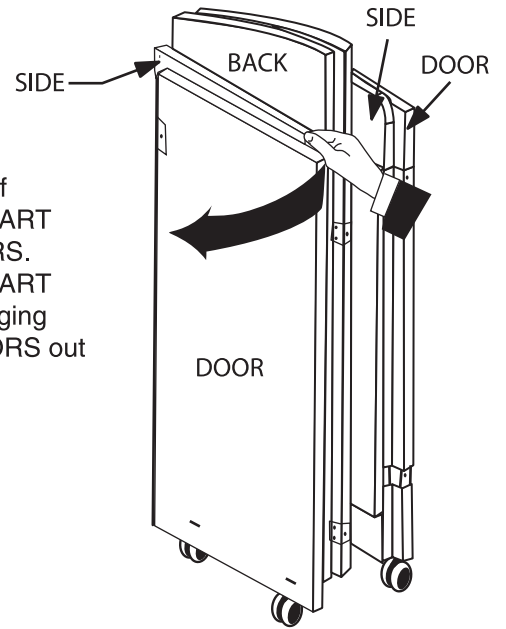
3

Open LEFT SIDE with DOOR attached. Remove TOP and BOTTOM Panels as shown and set aside.



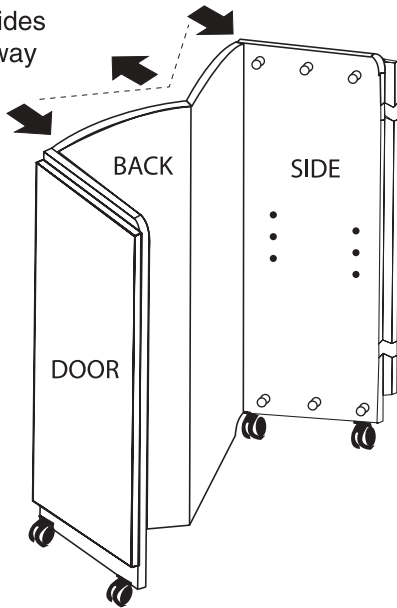
4

Using 2 people, if possible, stand CART up onto CASTERS. Begin opening CART by carefully swinging SIDES with DOORS out



5

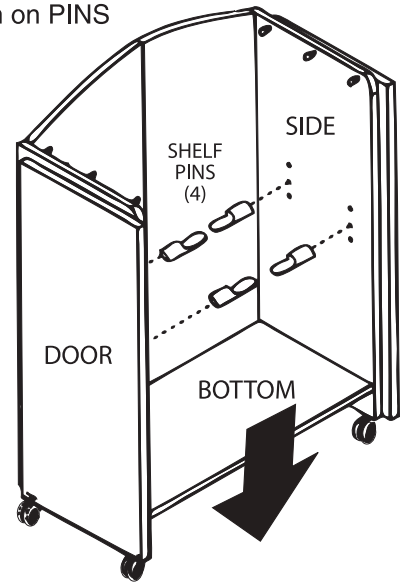
Open sides all the way



6

Install 4 SHELF PINS into SIDES as shown. Flat portion on PINS faces up

Align CLIPS on BOTTOM with POSTS on SIDES. Insure that cable cut out on BOTTOM is to the BACK. "CLICK" BOTTOM into place.



7

Align CLIPS on TOP with POSTS on SIDES. Insure that cable cut out on TOP is to the BACK. "CLICK" TOP into place. Install SHELF onto PINS.

