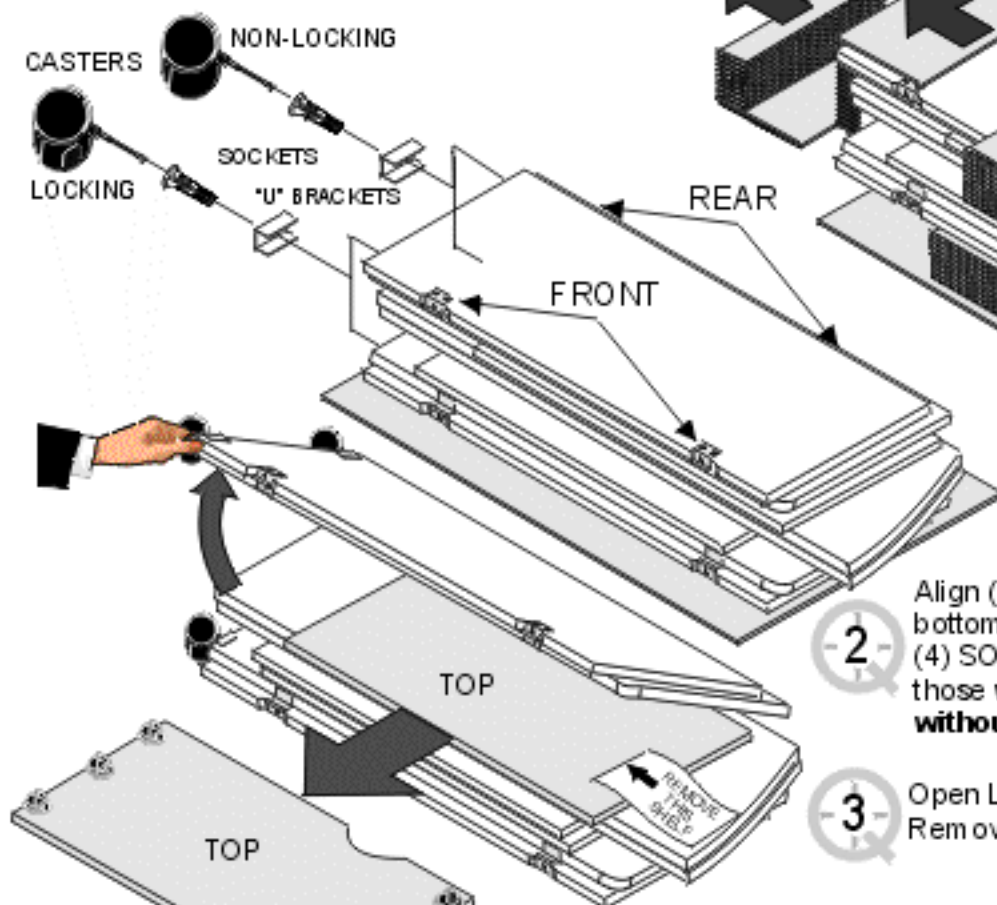
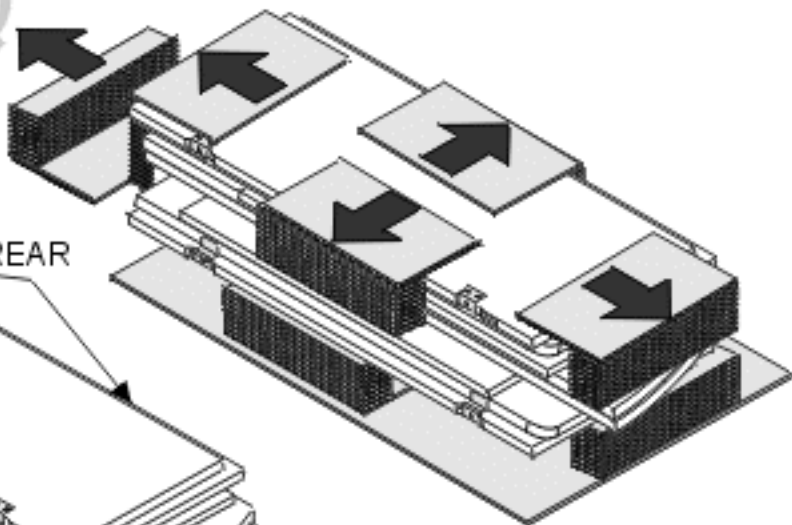


Remove shrink film and all packaging inserts from product. Leave CART on flat cardboard pad for protection from scratches.



1



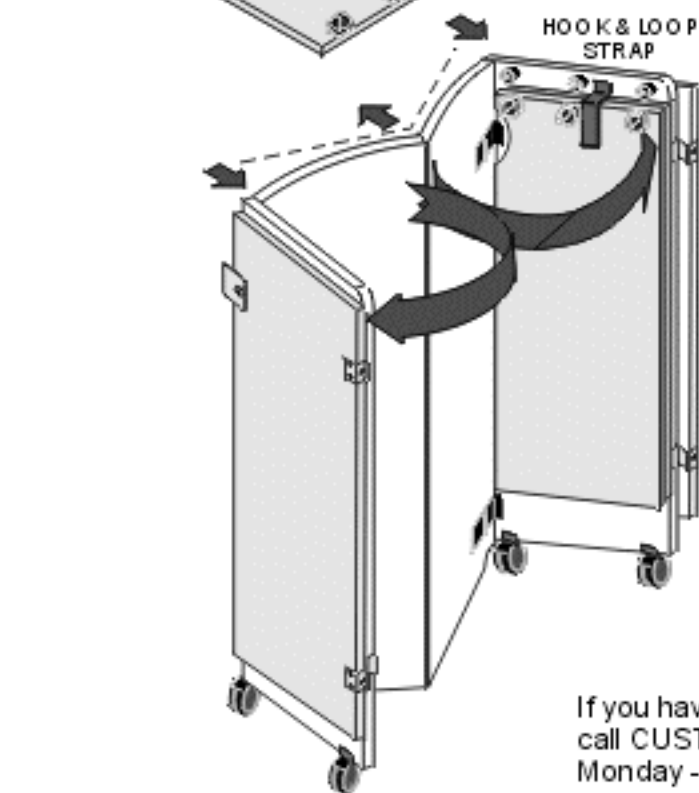
TOOLS REQUIRED FOR SET-UP
HAMMER OR OTHER STRIKING TOOL

2

Align (4) U-BRACKETS over holes in the bottom edges of SIDES, then lightly hammer in (4) SOCKETS. Lightly tap in CASTERS, those **with locks** in FRONT SOCKETS, those **without locks** in the REAR SOCKETS

3

Open LEFT SIDE with DOOR attached. Remove TOP panel as shown and set aside.

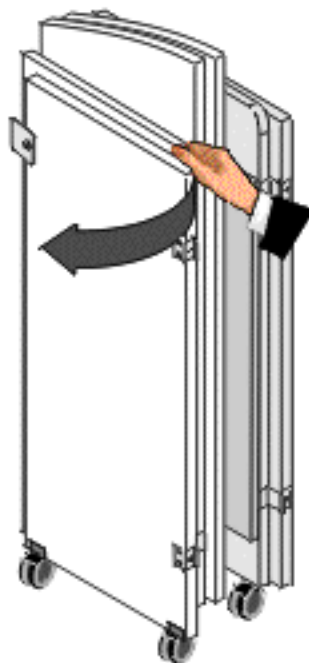


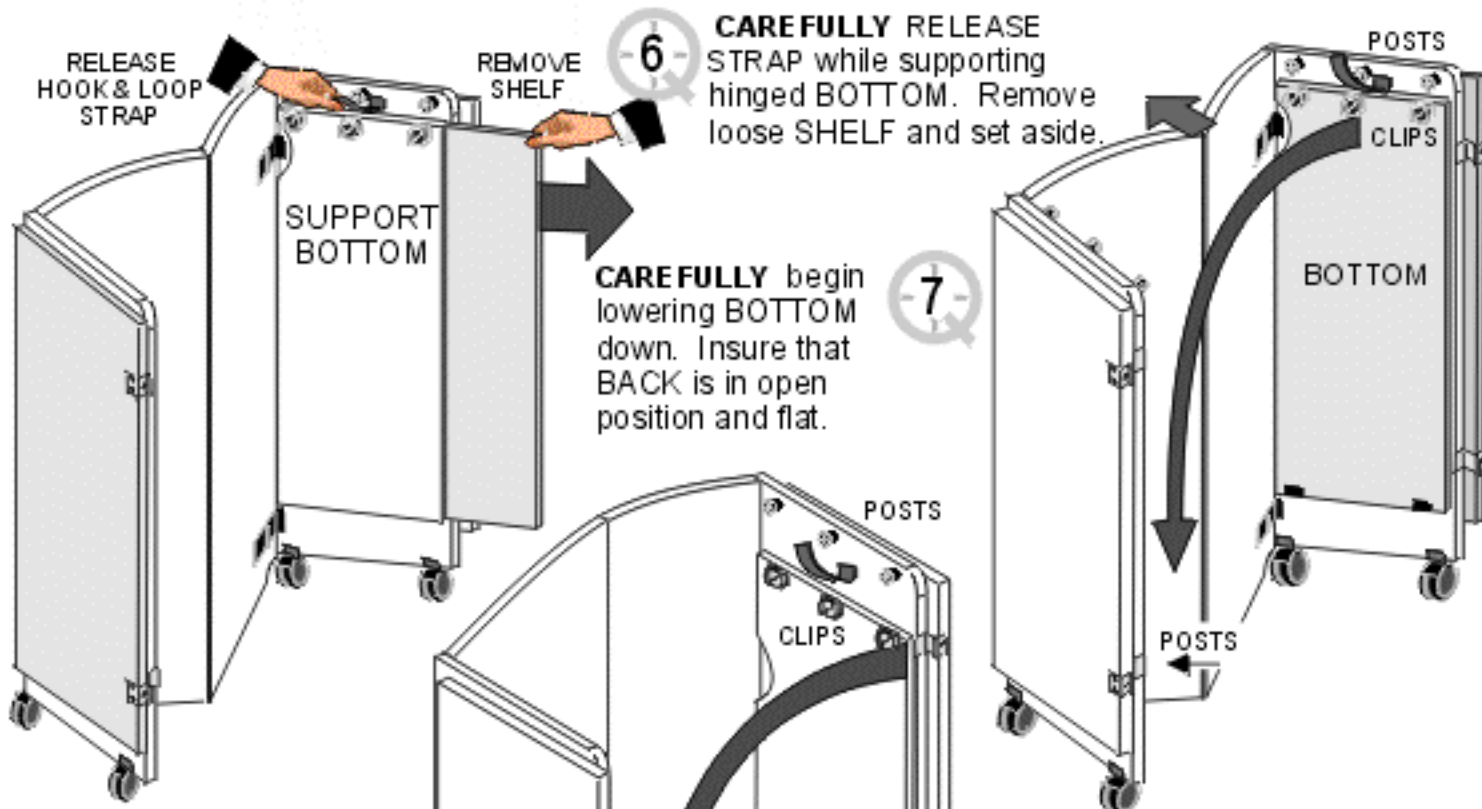
4

Using 2 people, if possible, stand CART up onto CASTERS. Begin opening CART by carefully swinging SIDES with DOORS out.

5

Open SIDES all the way. Locate HOOK and LOOP STRAP. **DO NOT RELEASE STRAP at this STEP.**





RELEASE HOOK & LOOP STRAP

REMOVE SHELF

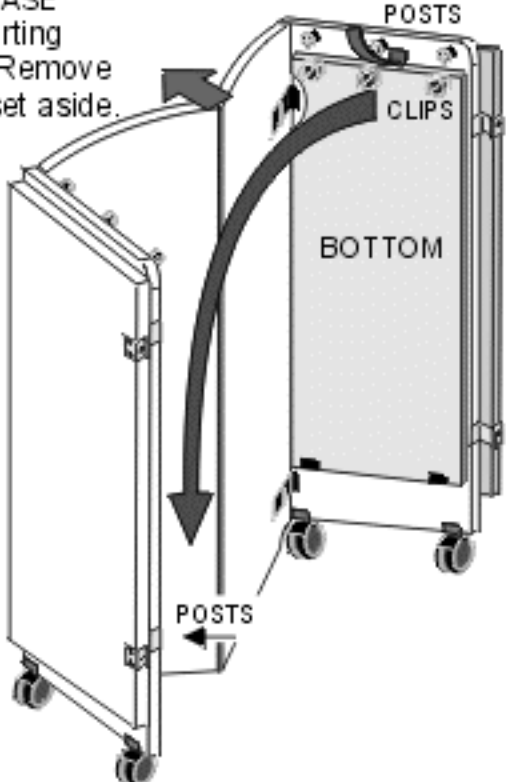
6

CAREFULLY RELEASE STRAP while supporting hinged **BOTTOM**. Remove loose **SHELF** and set aside.

SUPPORT BOTTOM

CAREFULLY begin lowering **BOTTOM** down. Insure that **BACK** is in open position and flat.

7



POSTS

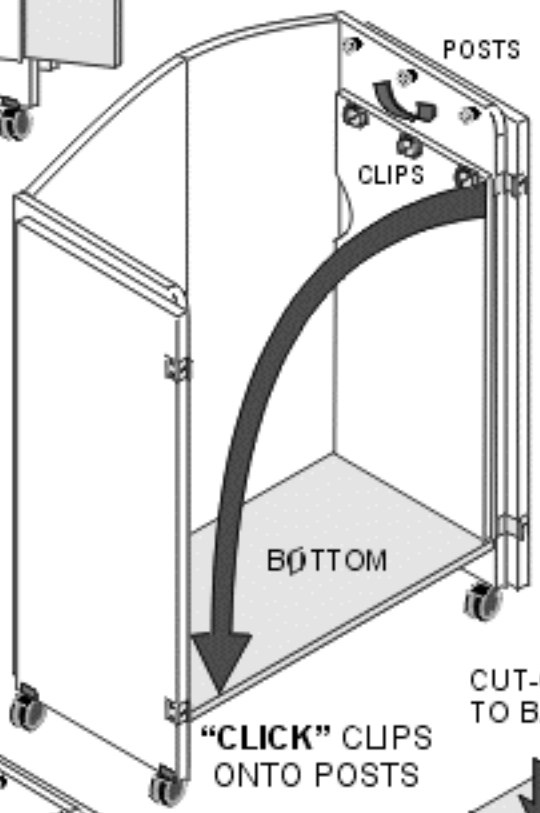
CLIPS

BOTTOM

POSTS

8

SLOWLY lower **BOTTOM** down onto **POSTS** on **LEFT SIDE**. "CLICK" **CLIPS** on **BOTTOM** onto **POSTS** to secure.



POSTS

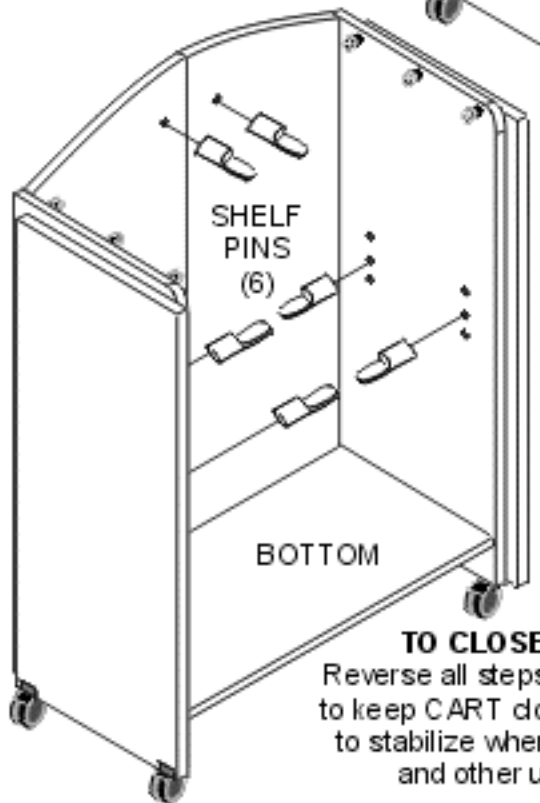
CLIPS

BOTTOM

"CLICK" CLIPS ONTO POSTS

9

Install (6) **SHELF PINS** into **SIDES** and **BACK** as shown. Flat portion on **PINS** faces up.

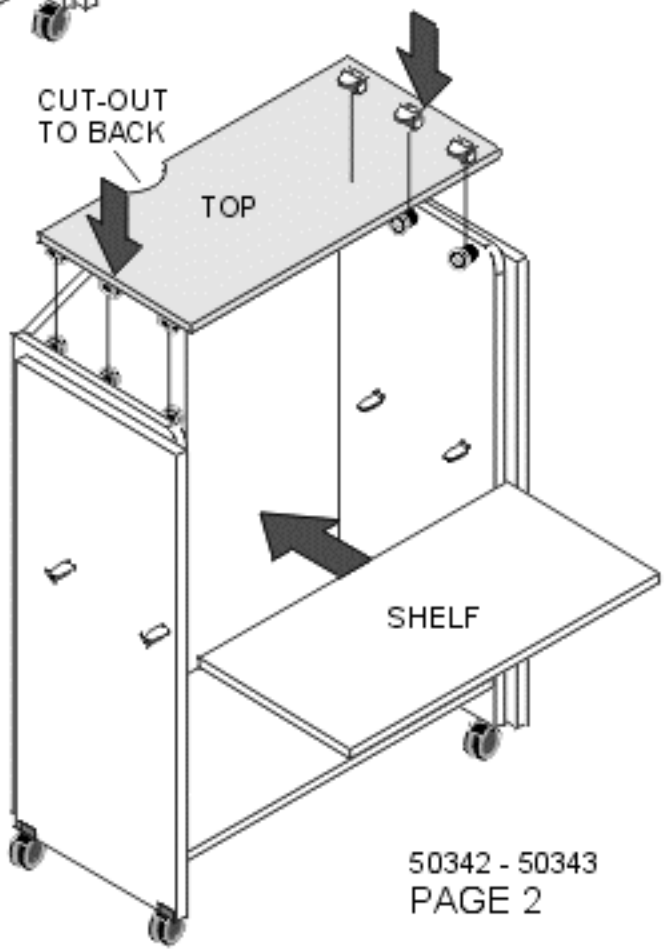


SHELF PINS (6)

BOTTOM

10

Align **CLIPS** on **TOP** with **POSTS** on **SIDES**. Insure that cable cut-out on **TOP** is to the **BACK**. "CLICK" **TOP** into place. Install **SHELF** onto **PINS**.



CUT-OUT TO BACK

TOP

SHELF

TO CLOSE AND SECURE

Reverse all steps. Care must be taken to keep **CART** closed while moving and to stabilize when crossing thresholds and other uneven surfaces.

HARDWARE



DOOR LOCK
W/ FINISH RING
AND (2) KEYS
#600
(1)

B

#6 X 5/8" FLAT HEAD SCREW
#525 ZINC
(2)



1. INSTALL DOOR LOCK

Swing RIGHT DOOR out as shown. FIG. 1 Insert DOOR LOCK through back side of door. Press fit DOOR LOCK FINISHING RING over face of DOOR LOCK. Attach DOOR LOCK using (2) #6 X 5/8 FLAT HEAD SCREW (B). Insure that the CAM on the DOOR LOCK faces up.

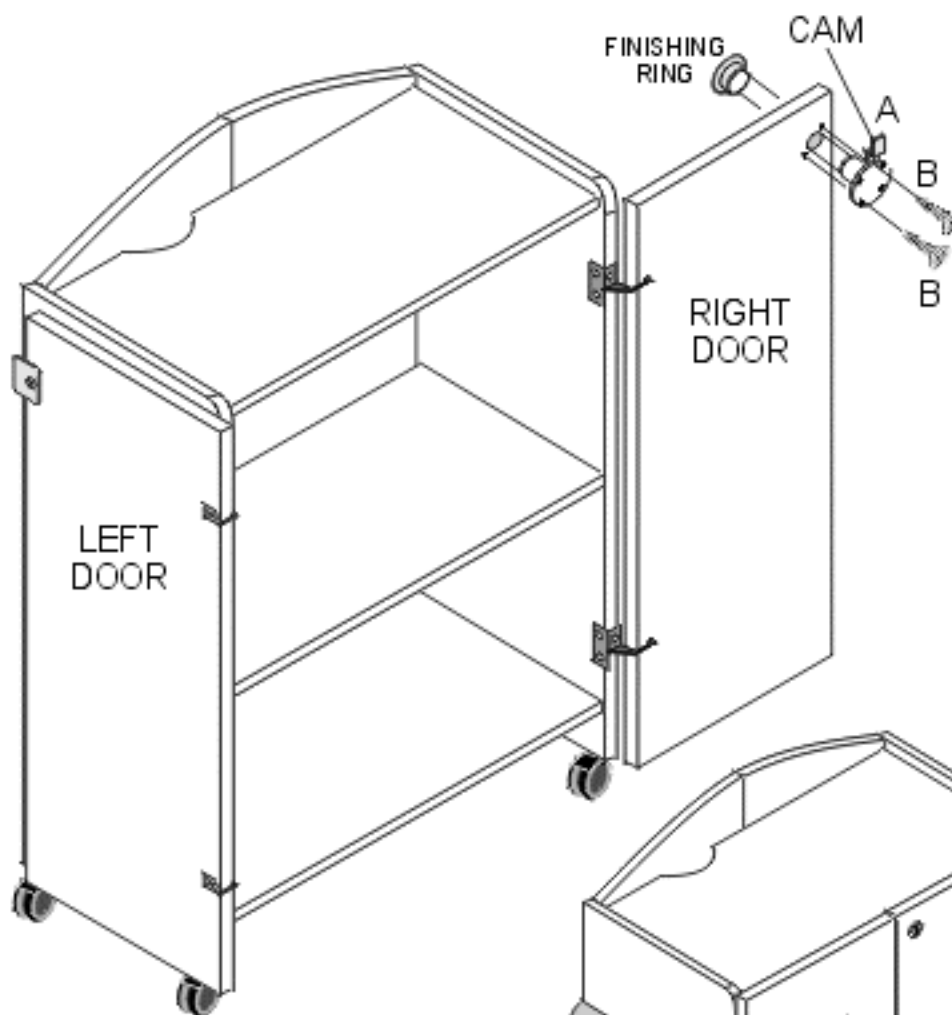


FIG. 1

2. TO LOCK DOOR

Close LEFT DOOR FIRST. FIG. 2 Close RIGHT DOOR and lock with key.

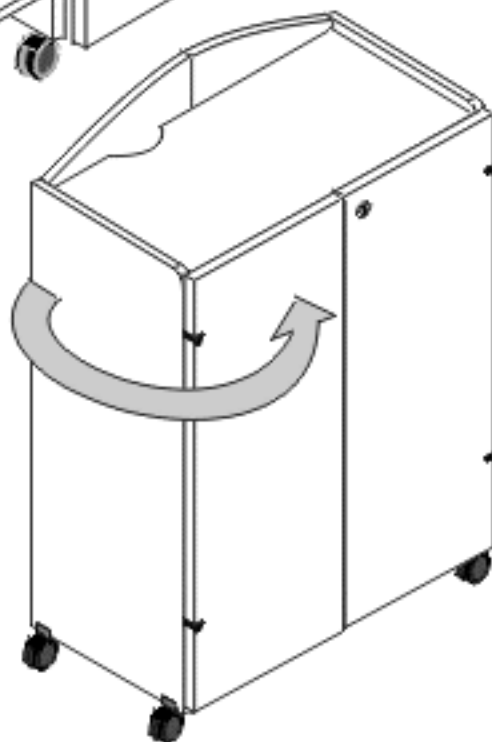


FIG. 2