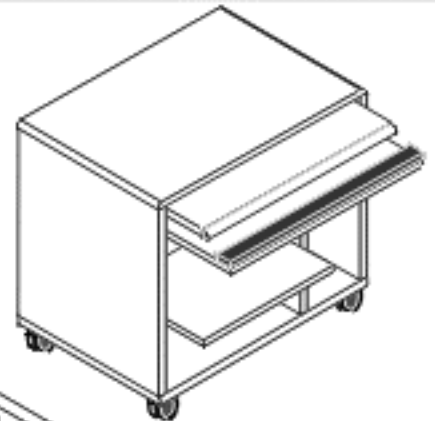


1

OPEN SIDES
CAREFULLY
SIDES MUST OPEN
ONLY 90°

DO NOT OVER-OPEN



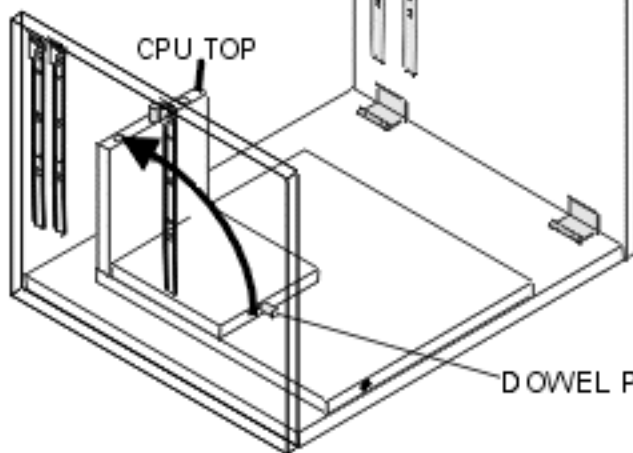
LEAVE STRAP IN
PLACE UNTIL AFTER
BOTTOM IS MOUNTED
STEP 5

PLASTIC STRAP

2

OPEN CPU TOP

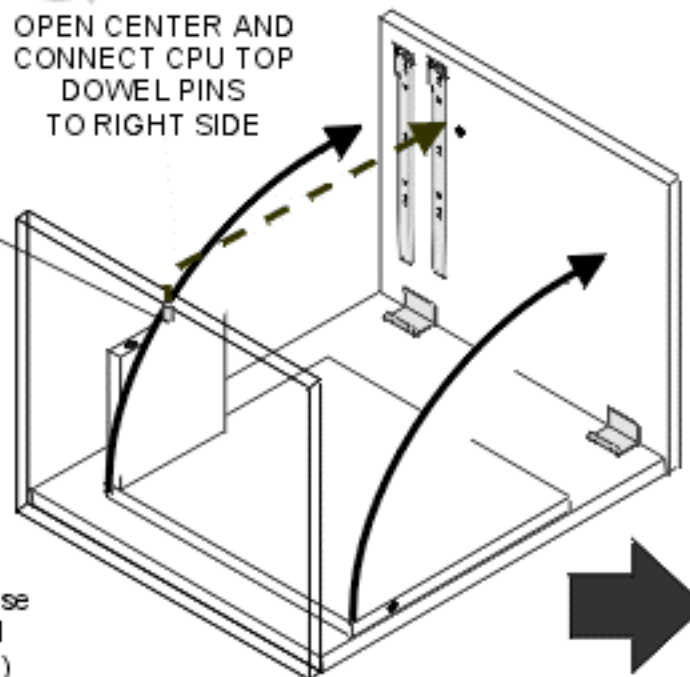
90 DEGREES MAX



3

OPEN CENTER AND
CONNECT CPU TOP
DOWEL PINS
TO RIGHT SIDE

DOWEL PIN



CONTACT US

VERTIFLEX®
5040
PAGE 1

If you have questions about assembly, please
call CUSTOMER SERVICE 1-800-966-5511
Monday - Friday 8am . TO 4:30pm . (Central)

