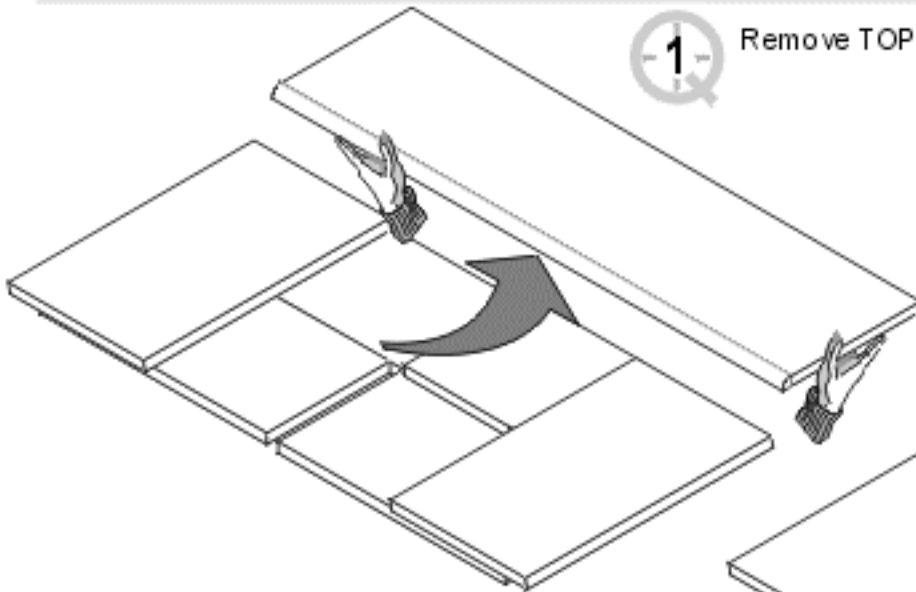
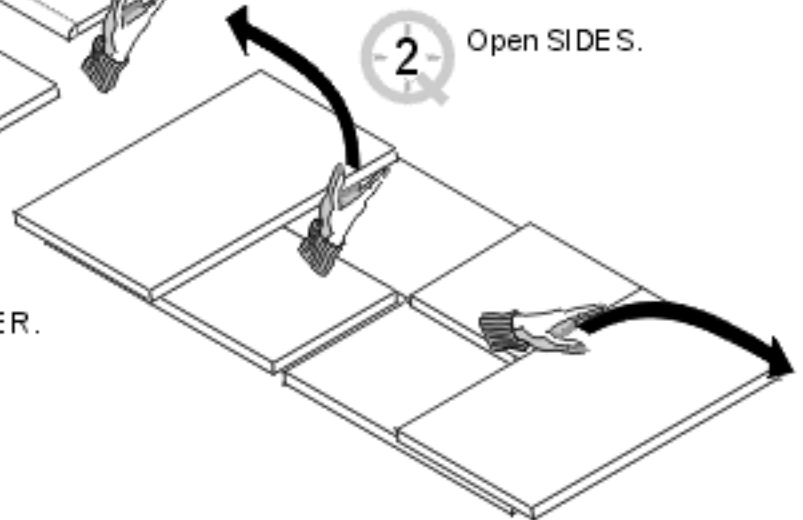




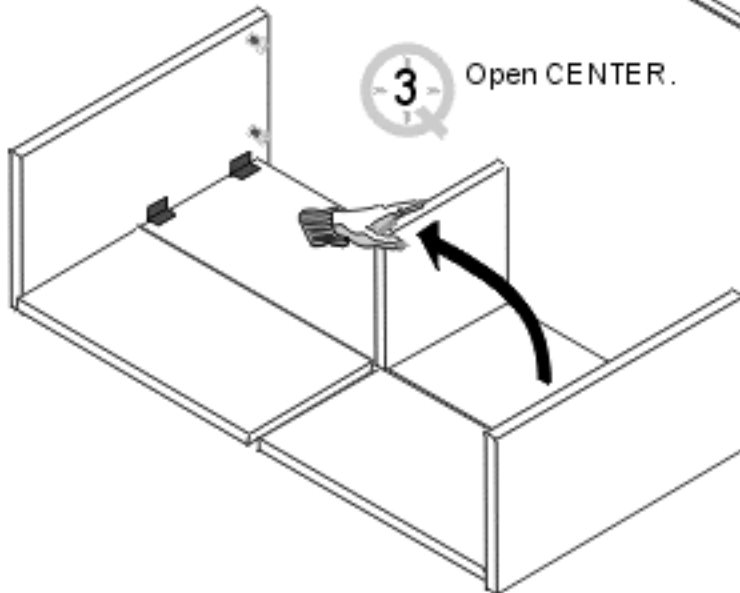
Remove TOP and set aside for later installation.



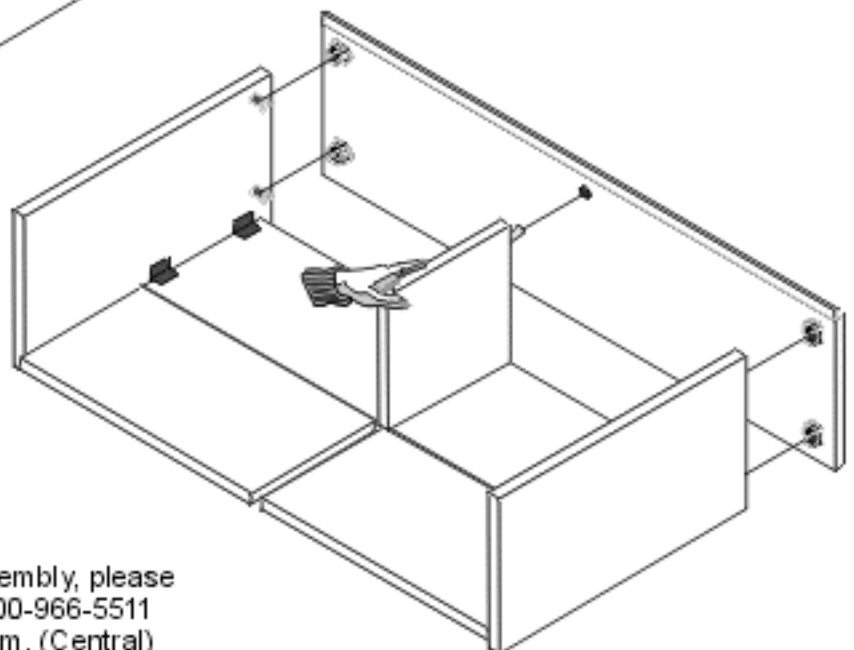
Open SIDES.



Open CENTER.



Align and attach TOP. Insure that CLIPS have not turned during shipping. Align CLIPS on TOP with POSTS on SIDES. Align DOWEL PIN on CENTER with hole in TOP. Insure that ROUNDED (RADIUS) EDGE on TOP faces up.



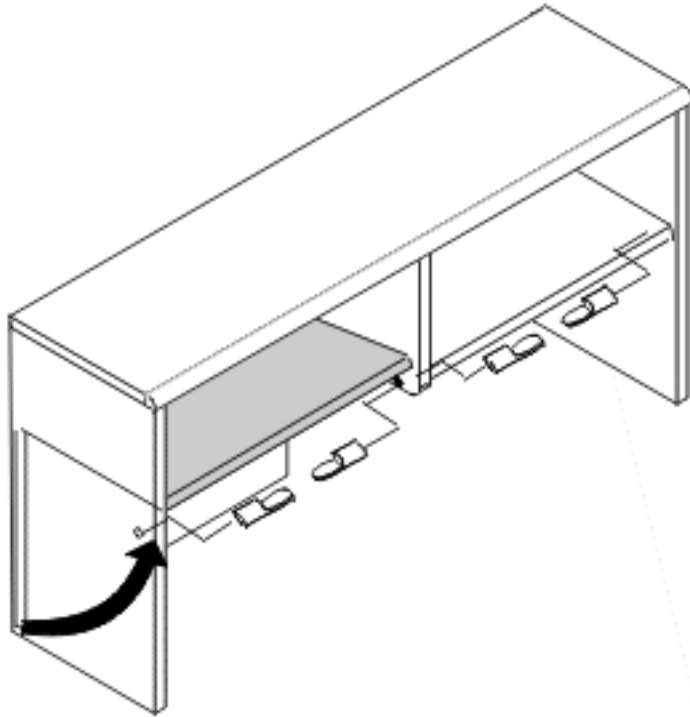
CONTACT US

VERTIFLEX®
5200
PAGE 1

If you have questions about assembly, please
call CUSTOMER SERVICE 1-800-966-5511
Monday - Friday 8am. TO 4:30pm. (Central)

HUTCHES

MODEL #5200
MODEL #5210



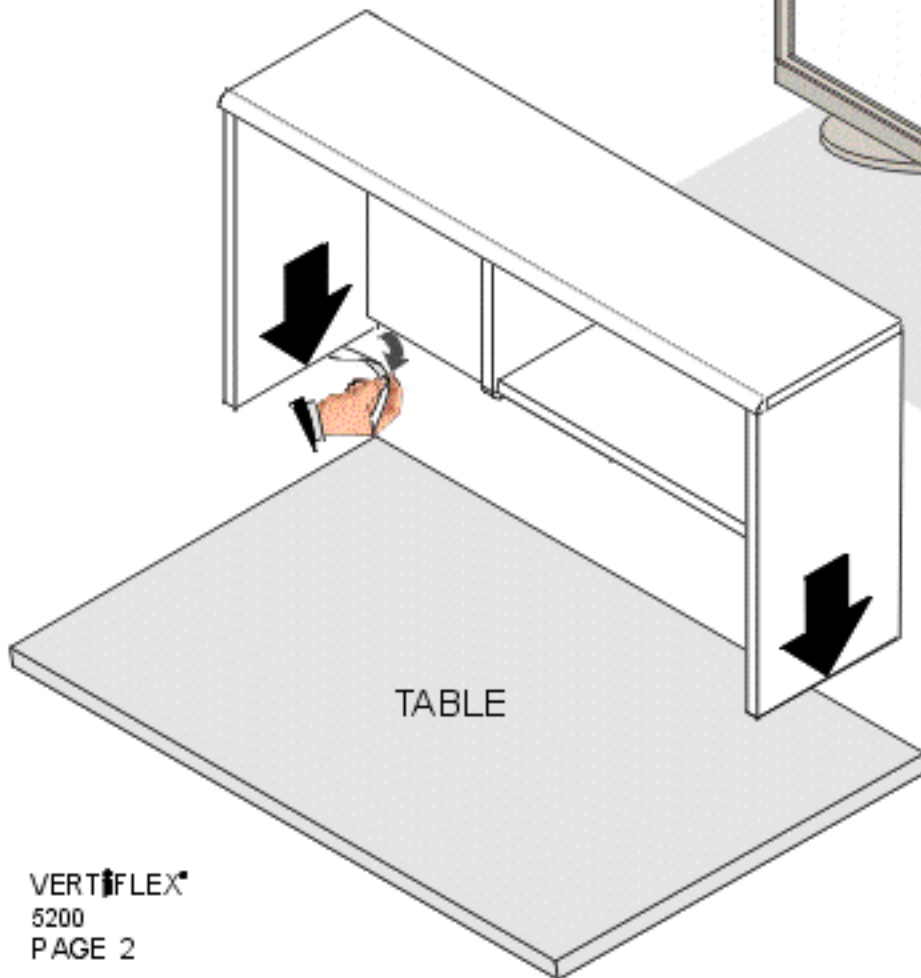
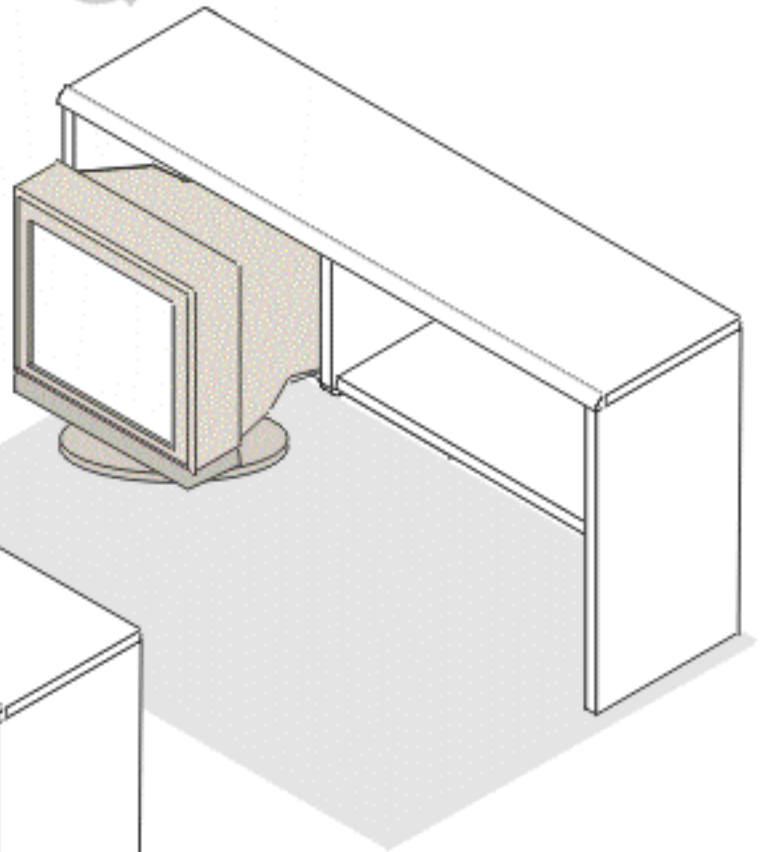
CAUTION: Once ADHESIVE STRIP is activated HUTCH cannot be re-positioned.

5

Lower BACKS may be left down to accommodate computer monitors or other equipment. **OR** They may be raised and supported by SHELF PINS on SIDES and CENTER to form storage shelves.

6

Example showing monitor on left side of hutch and shelf on right.



7

For permanent attachment to TABLE, remove paper liner from adhesive strip on bottom of SIDES. Carefully align HUTCH into position. Set HUTCH onto desired position on TABLE. Press down on HUTCH.
NOTE: Once adhesive is activated, HUTCH CANNOT BE RE-POSITIONED.