

# InstaCart™ Open-Top File Cart

Vertiflex  
Products™

VF53000

Parts List/Assembly Instructions

[www.advantus.com](http://www.advantus.com)

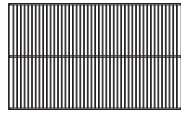
904.482.0091

## Casters



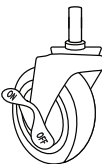
x2

## Bottom Shelf



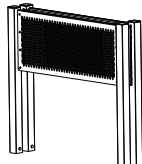
x1

## Locking Casters



x2

## Frame



x1

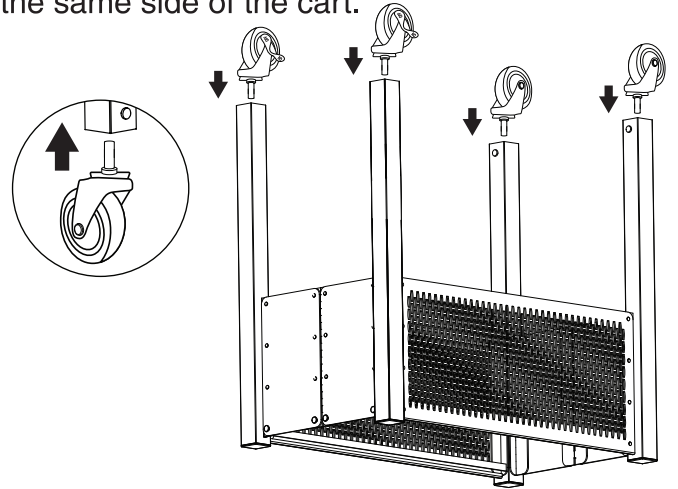
## Side Handles



x2

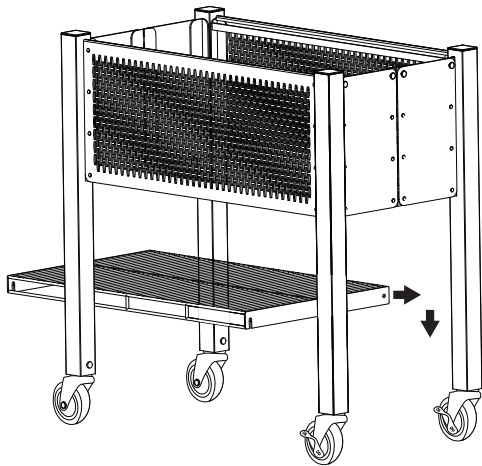
## 1 Attach casters to frame

Open file cart completely and turn upside down to pop casters into place at the ends of each leg by pushing down on each one by hand. The two locking casters should be placed on the same side of the cart.



## 2 Attach bottom shelf to frame

Turn file cart upright and slide bottom shelf into place by inserting the open slots over the notches on each post and pushing down to lock into place.



## 3 Attached handles to the sides of the frame

Slide each handle onto the sides of the cart, inserting the open slots over the notches until they lock into place.

